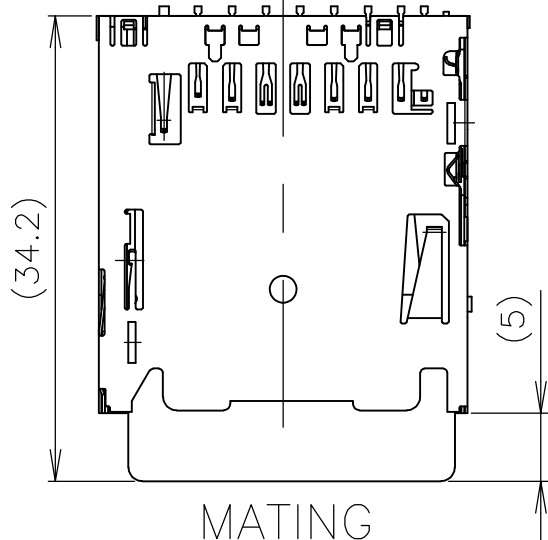
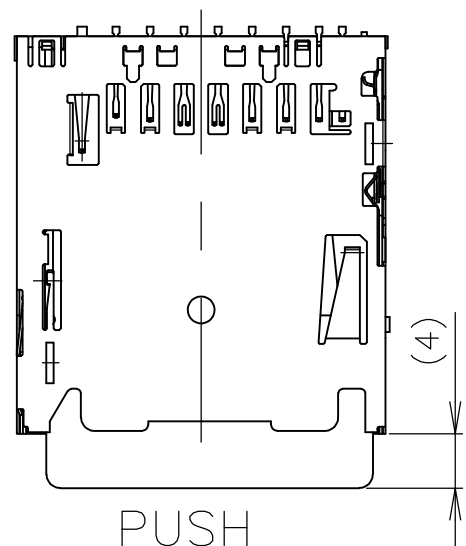


P	LTR	DESCRIPTION	DATE	DWN	APVD
-	-	SEE SHEET 1	-	-	-

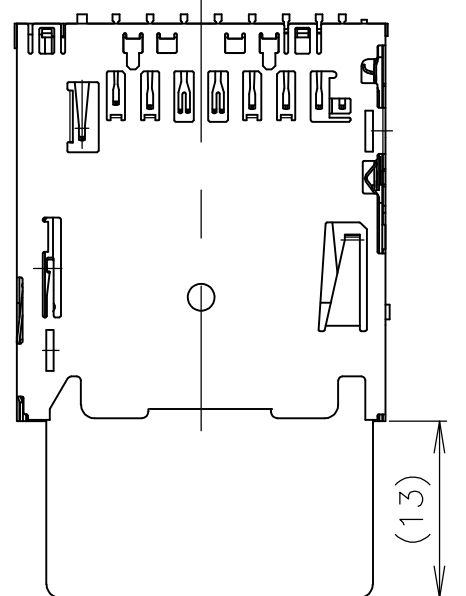
1903302=~~1~~,=~~2~~,=~~3~~,=~~4~~ ; AS SHOWN



MATING



PUSH

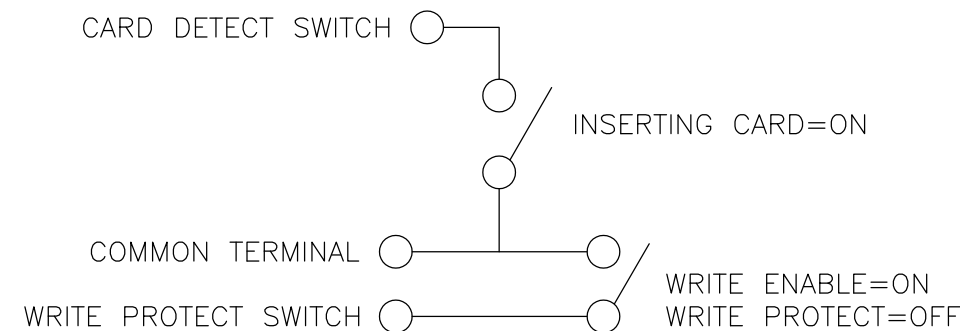


EJECT

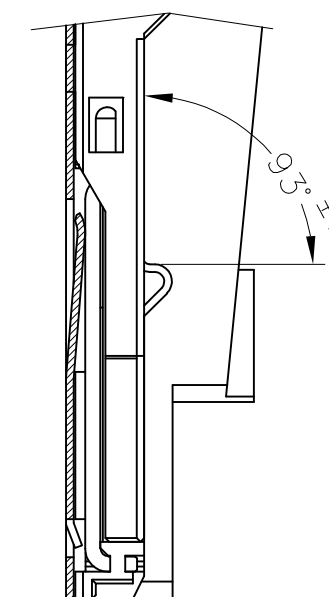
- ① カード認識スイッチ用
- ② コモン端子用
- ③ ライトプロテクトスイッチ用
- 4 カード挿入時の接触の順番
PIN #3,4 → PIN #2,5,6,7,8,9
カード認識スイッチ ← PIN #1 ←
- ⑤ スイッチの回路図
- 6 本製品は浸漬による洗浄は行わないこと。
- ⑦ 部品実装禁止エリア
- 8 コプラナリティは、0.1mm以下。
- 9 材料
ハウジング：LCP樹脂、UL94V-0、黒色
スライダー：LCP樹脂、UL94V-0、NATURAL
コンタクト：銅合金
シェル：銅合金 (t=0.2)
- 10 仕上げ
コンタクト：接点部：Ni下地めっき 2~4μm、Auめっき0.2~0.5μm。
 タイン：Snめっき 2~4μm。(無光沢)
 タイン：Auめっき 0.05~0.13μm。(コモン端子)
シェル：Cu 0.5μm.MIN. Snめっき(前めっき リフロー処理) 1μm. MIN.
- 11 適合基板厚 0.8±0.1mm
- 12 サンプルを実装して不具合の有無を確認して下さい。
- 13 対応カード：SDAの規格に準拠したSDカード

- ① FOR CARD DETECT SWITCH
- ② FOR COMMON TERMINAL
- ③ FOR WRITE PROTECT SWITCH
- 4 THE SEQUENCE OF CONTACT DURING CARD INSERTION
PIN #3,4 → PIN #2,5,6,7,8,9
CARD DETECT SWITCH ← PIN #1 ←
- ⑤ CIRCUIT DRAWING OF SWITCH
- 6 DON'T WASH BY IMMERSING THE CONNECTOR IN FLUID
- ⑦ COMPONENT PROHIBITION AREA
- 8 COPLANARITY IS 0.1 MAX.
- 9 MATERIAL
HOUSING: LCP, UL94V-0, BLACK
SLIDER: LCP, UL94V-0, NATURAL
CONTACT: COPPER ALLOY
SHELL: COPPER ALLOY (t=0.2)
- 10 FINISH
CONTACT: CONTACT AREA: Ni UNDER PLATING 2~4um. Au PLATING 0.2~0.5um.
 TINE: Sn PLATING 2~4um. (NON LUSTER)
 TINE: Au PLATING 0.05~0.13um. (COMMON TERMINAL)
SHELL: Cu 0.5um. MIN. Sn PLATING (PRE-TIN REFLOW) 1um. MIN.
- 11 APPLICABLE BOARD THICKNESS :0.8±0.1mm
- 12 PLEASE MOUNT THE SAMPLE AND CONFIRM THE PRESENCE OF TROUBLE.
- 13 ADAPTABLE CARD : SD CARD IN ACCORDANCE WITH STANDARD OF SDA.

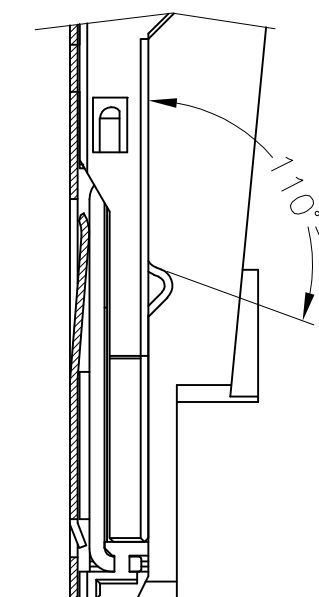
⑤ CIRCUIT DRAWING OF SWITCH



ANGLE OF HOOK SPRING



ANGLE OF HOOK SPRING UNIT.
=~~1~~,=~~3~~ : AS SHOWN



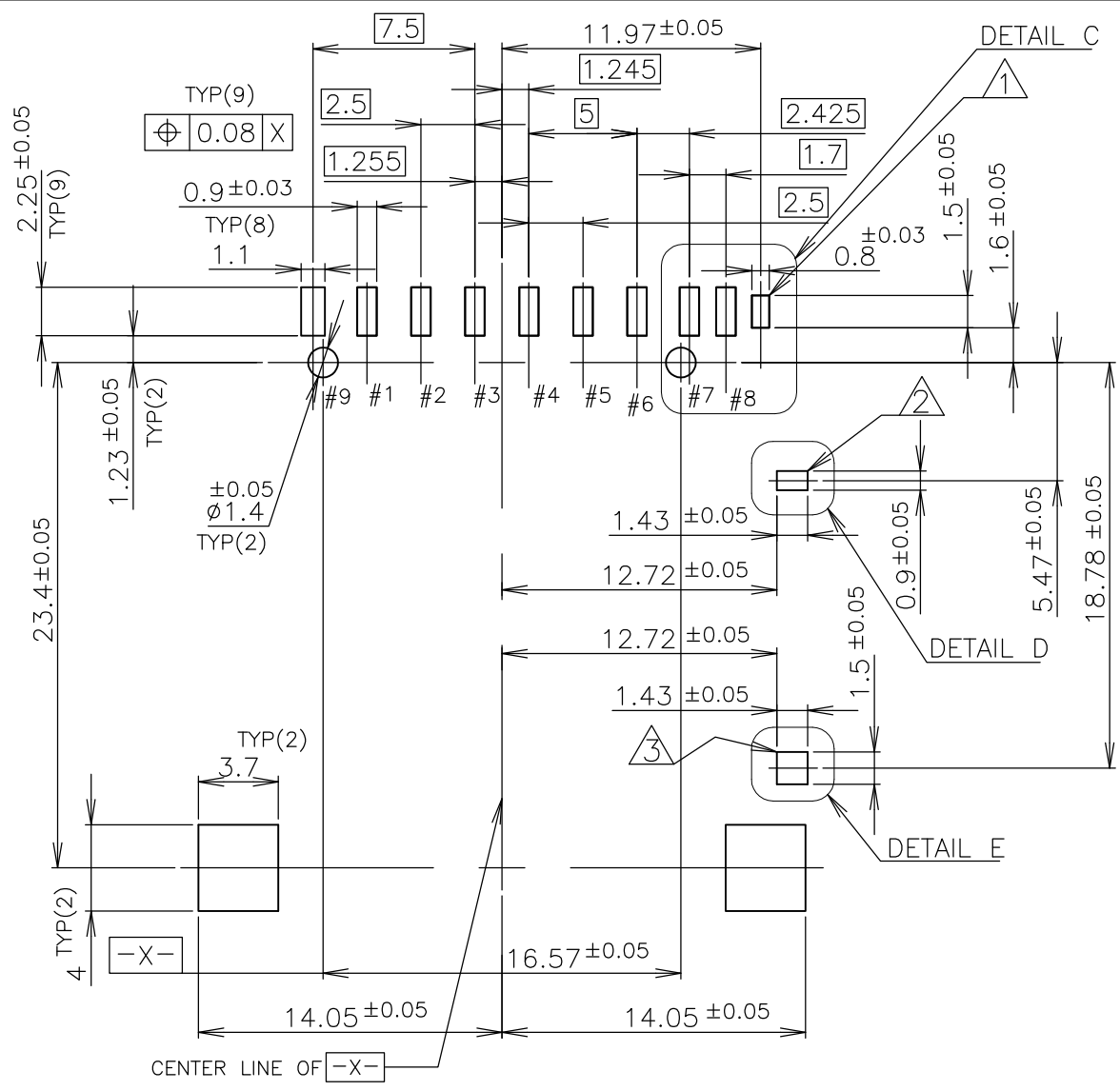
ANGLE OF HOOK SPRING UNIT.
=~~2~~,=~~4~~ : AS SHOWN

F-F

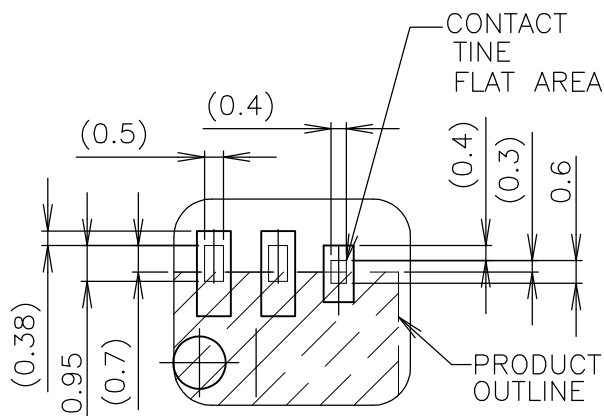
THIS DRAWING IS A CONTROLLED DOCUMENT.		DWN	TE Connectivity		
DIMENSIONS: 単位: 耗 mm		CHK			
TOLERANCES UNLESS OTHERWISE SPECIFIED: 一般公差		APVD	NAME 名称		
0 PLC ± 0.3		PRODUCT SPEC 製品規格	SD MEMORY CARD CONNECTOR		
1 PLC ± 0.3		APPLICATION SPEC 取付適用規格	PUSH PUSH TYPE		
2 PLC ± 0.3		WEIGHT	SIZE	CAGE CODE	DRAWING NO 番号
3 PLC ± 0.3		FINISH 仕上	A3 00779 C-1903302		
4 PLC ± 0.3	RESTRICTED TO				
ANGLES ± 3'	MATERIAL 材料	CUSTOMER DRAWING	SCALE 尺度 NTS	SHEET 2 OF 4	REV G1

THIS DRAWING IS UNPUBLISHED. RELEASED FOR PUBLICATION OCT. 2005.
 © COPYRIGHT 2005 By - ALL RIGHTS RESERVED.

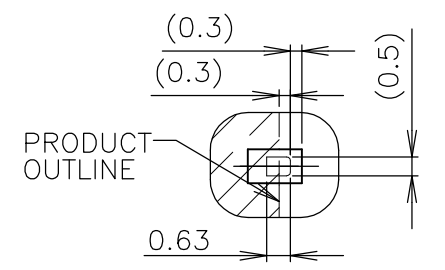
REVISIONS					
P	LTR	DESCRIPTION	DATE	DWN	APVD
-	-	SEE SHEET 1	-	-	-



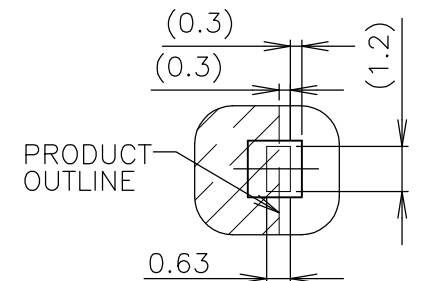
PCB PATTERN LAYOUT(REFERENCE)
 (VIEW FROM CONNECTOR MOUNT SIDE)



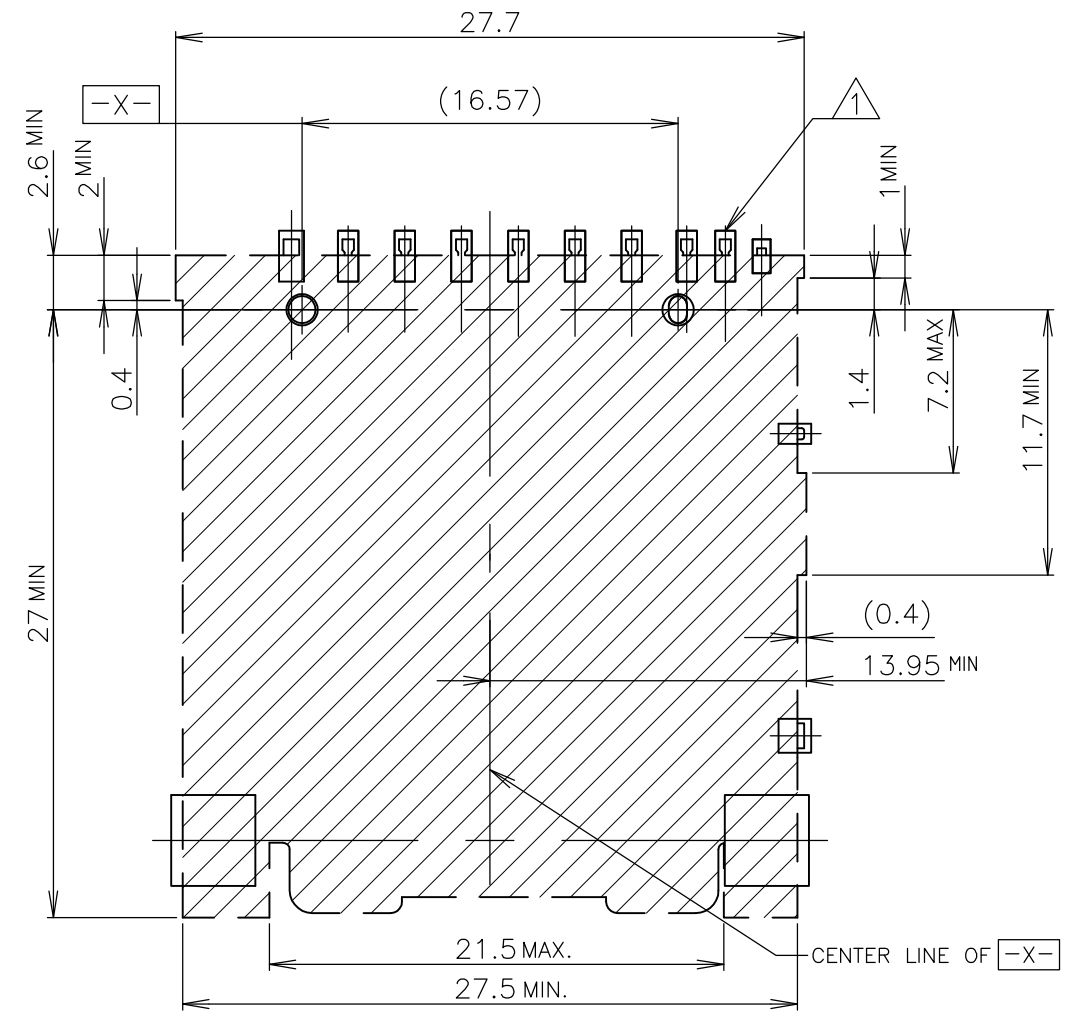
DETAIL C (SCALE 5:1)



DETAIL D (SCALE 5:1)

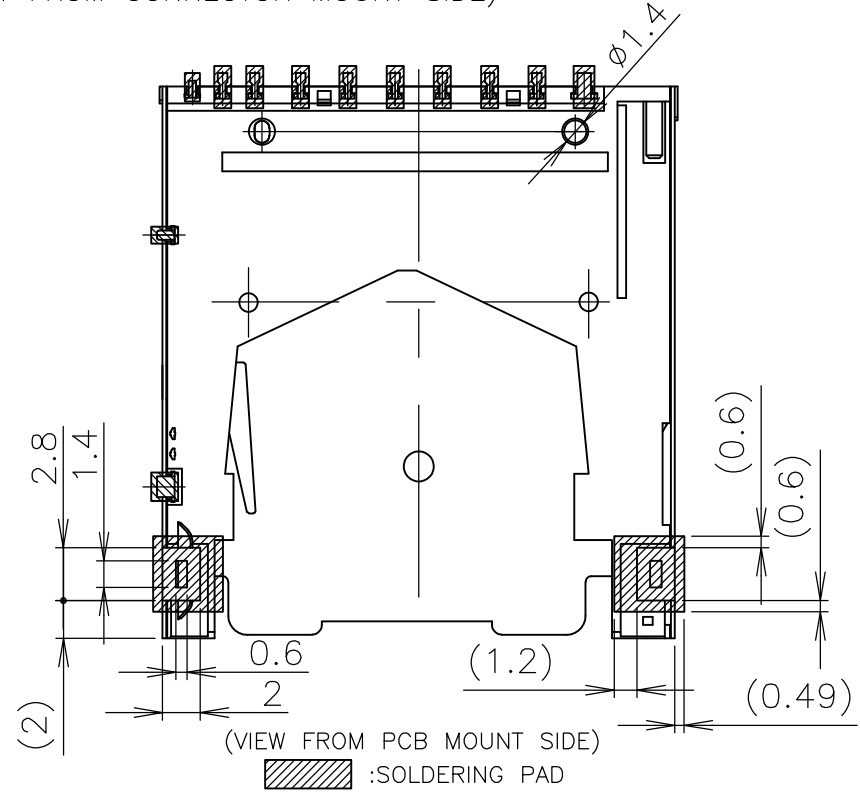


DETAIL E (SCALE 5:1)



(VIEW FROM CONNECTOR MOUNT SIDE)

▨ : COMPONENT PROHIBITION AREA
 □ : SOLDERING PAD



(VIEW FROM PCB MOUNT SIDE)

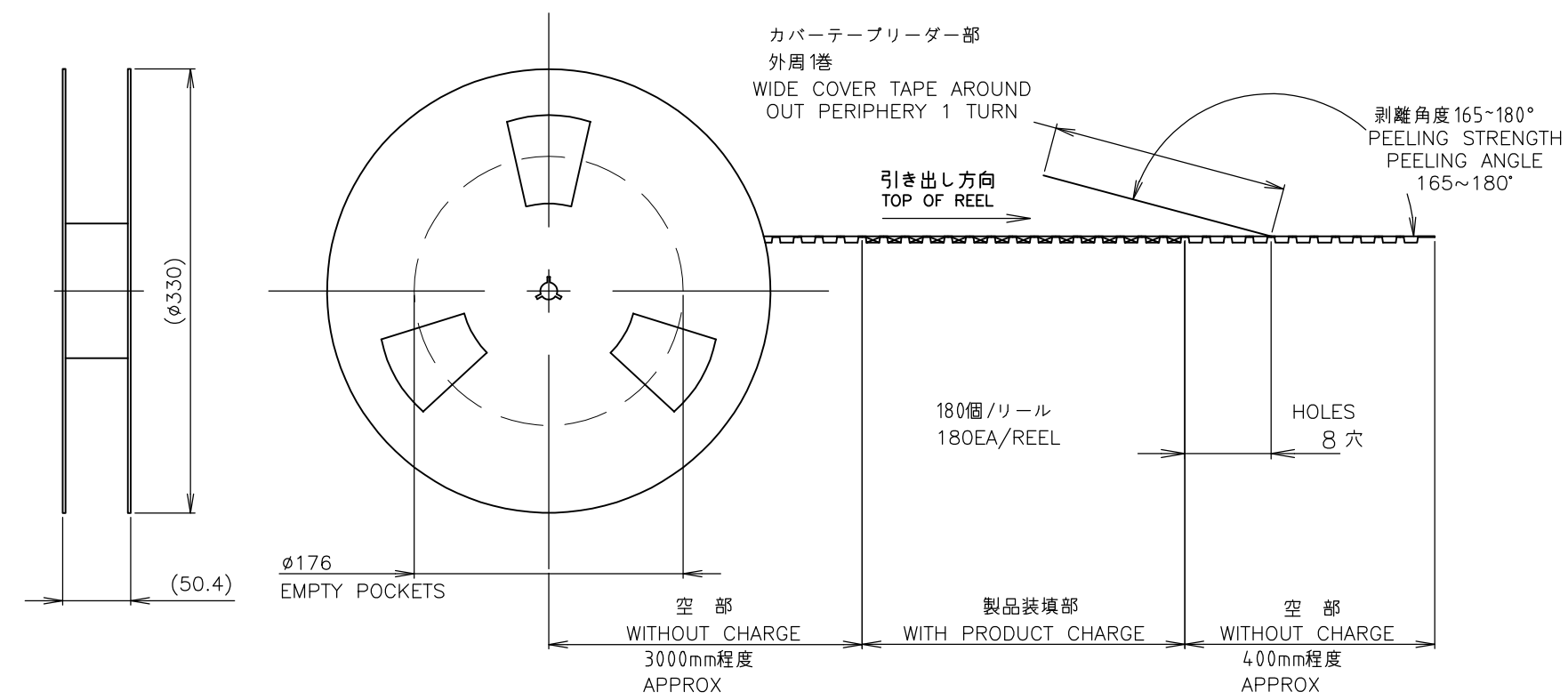
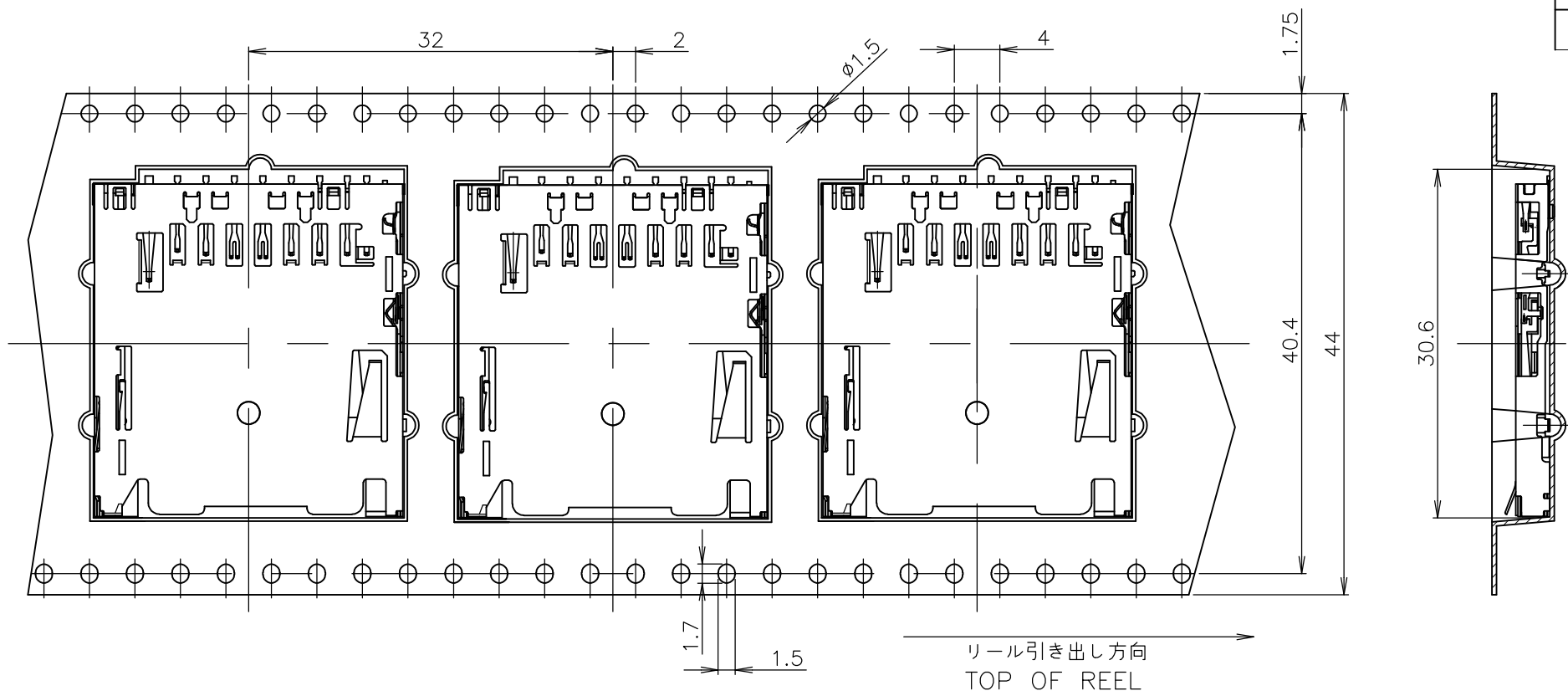
▨ : SOLDERING PAD

1903302=1,=2,-3,-4 ; AS SHOWN

THIS DRAWING IS A CONTROLLED DOCUMENT.		DWN	TE Connectivity		
DIMENSIONS: 单位: 耗 mm		CHK			
TOLERANCES UNLESS OTHERWISE SPECIFIED: 一般公差		APVD	NAME 名称		
0 PLC ± 0.3		PRODUCT SPEC 製品規格	SD MEMORY CARD CONNECTOR		
1 PLC ± 0.3		APPLICATION SPEC 取付適用規格	PUSH PUSH TYPE		
2 PLC ± 0.3		WEIGHT	SIZE	CAGE CODE	DRAWING NO 番号
3 PLC ± 0.3		CUSTOMER DRAWING	A3	00779	G-1903302
4 PLC ± 0.3			SCALE 尺度	NTS	SHEET 3 OF 4
ANGLES ± 3°		RESTRICTED TO			
FINISH 仕上					

THIS DRAWING IS UNPUBLISHED. RELEASED FOR PUBLICATION OCT. 2005.
 © COPYRIGHT 2005 By - ALL RIGHTS RESERVED.

REVISIONS				
P	LTR	DESCRIPTION	DATE	APVD
-	-	SEE SHEET 1	-	-



1903302=1,=2,-3,-4 ; AS SHOWN

THIS DRAWING IS A CONTROLLED DOCUMENT.		DWN	STE TE Connectivity		
DIMENSIONS: 単位: 耗 mm		CHK			
TOLERANCES UNLESS OTHERWISE SPECIFIED: 一般公差		APVD	NAME 名称		
0 PLC ± 0.3		PRODUCT SPEC 製品規格	SD MEMORY CARD CONNECTOR		
1 PLC ± 0.3		APPLICATION SPEC 取付適用規格	PUSH PUSH TYPE		
2 PLC ± 0.3		WEIGHT	SIZE	CAGE CODE	DRAWING NO 番号
3 PLC ± 0.3		CUSTOMER DRAWING	A3	00779	G-1903302
4 PLC ± 0.3			SCALE 尺度	NTS	SHEET 4 OF 4
ANGLES ± 3'		RESTRICTED TO			
MATERIAL 材料		FINISH 仕上			

Mouser Electronics

Authorized Distributor

Click to View Pricing, Inventory, Delivery & Lifecycle Information:

[TE Connectivity:](#)

[1903302-3](#)