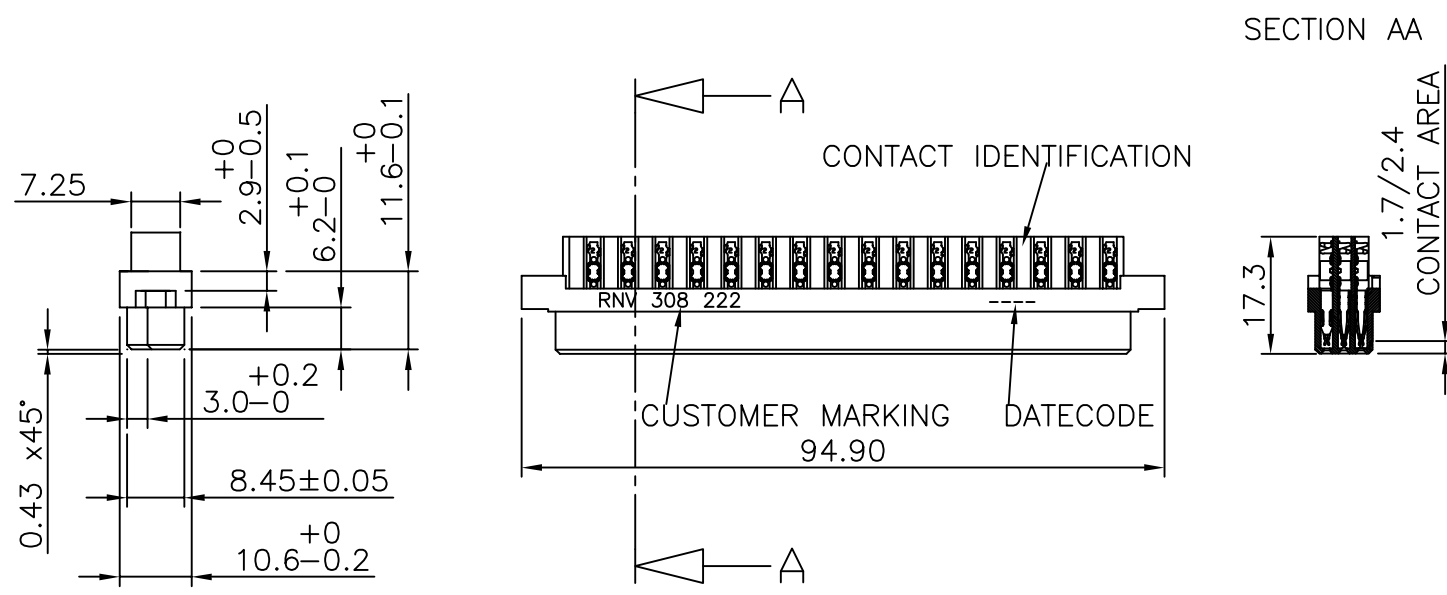


|                |                   |                                      |
|----------------|-------------------|--------------------------------------|
| PRODUCT NUMBER | BPS8B96NND200L9   | LEADED PRODUCT                       |
| PRODUCT NUMBER | BPS8B96NND200L9LF | LEAD FREE OR RoHS COMPATIBLE PRODUCT |

**NOTES:-**

1. THE "LF" PRODUCTS MEET EUROPEAN UNION DIRECTIVES AND OTHER COUNTRY REGULATIONS AS DESCRIBED IN GS-22-008.
2. LEAD FREE OR RoHS DIRECTIVE LABELING TO BE PROVIDED AS PER GS-14-920 FOR RoHS COMPATIBLE/ LEAD FREE VERSION.



**PERFORMANCES CHARACTERISTICS**

VOLTAGE RATING : 250 VAC (rms)  
 CURRENT RATING : 1,5 A AT 25 °C, 1 A AT 70 °C.  
 INSULATION RESISTANCE : 1000 MΩ INITIAL, 100 MΩ MIN. AFTER TEST.  
 DIELECTRIC WITH-  
 STANDING VOLTAGE : 1000 VAC (rms).  
 CONTACT RESISTANCE : 15 mΩ MAX. INITIAL, 5 mΩ MAX. RISE OF INITIAL VALUE AFTER TEST.  
 OPERATING TEMPERATURE\*: -40 °C TO +125 °C.  
 INSERTION FORCE : 1 N MAX./CONTACT.  
 WITHDRAWAL FORCE : 0,2 N MIN./CONTACT.

\*DEPENDING ON THE CABLE, THE MAX. TEMPERATURE CAN BE LOWER.  
 FOR STANDARD PVC INSULATED CABLE : 105 °C MAX.

**CONSTRUCTION**

BODY MATERIAL : GLASS-REINFORCED THERMOPLASTIC (UL94V-0).  
 CONTACT MATERIAL : PHOSPHOR BRONZE.  
 CONTACT FINISH : 3 μm Au MIN. OVER 2 μm Ni MIN. IN CONTACT AREA, 3μm SnPb MAX. OVER 1.5μm Ni MAX. ON I.D.C TERMINAL FOR LEADED PRODUCTS Sn (MATTE TIN) OVER Ni ON I.D.C TERMINAL FOR LEAD FREE PRODUCTS

**PART NUMBERS**

BPS8B96NND200EC CONNECTOR FOR WIRE SIZE AWG24, AWG26.  
 BPS8B96NND200ECLF CONNECTOR FOR WIRE SIZE AWG24, AWG26.

(CONTACT IDENTIFICATION : 2).

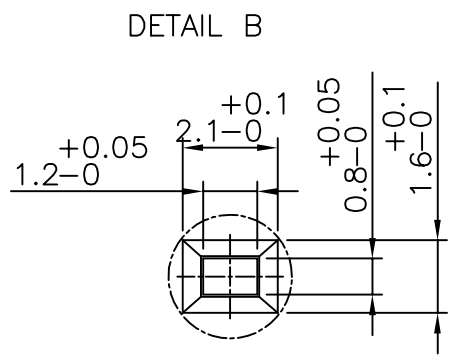
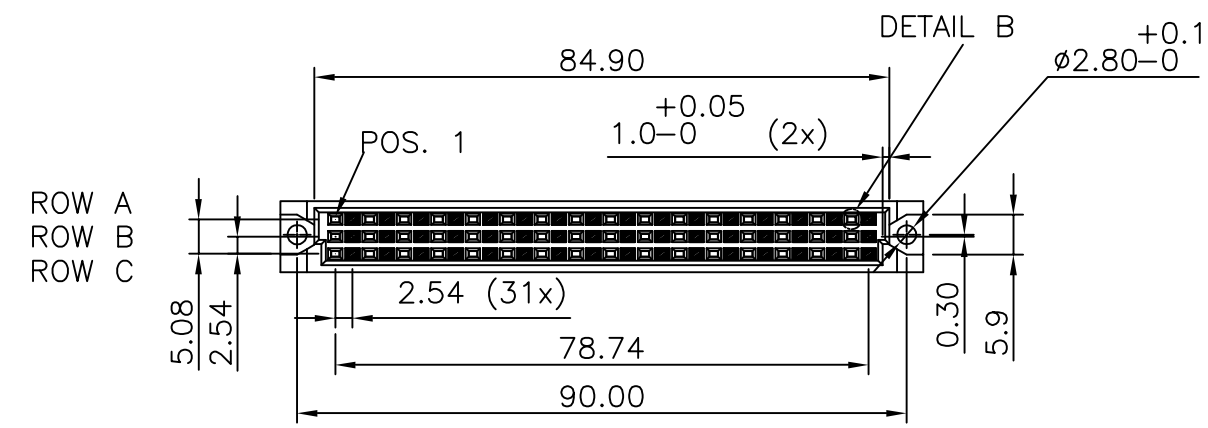
**CUSTOMER MARKING**

PARTNUMBER ERICSSON : RNV 311 302

**DATECODE**

YEAR & WEEKCODE EXAMPLE : 9950

OTHER REQUIREMENTS IN ACC. WITH: ERICSSON SPEC. 1301 RNV 311 UEN



**CONTACT ARRANGEMENT**

- CAVITIES EQUIPPED WITH CONTACTS
- ▨ CAVITIES WITHOUT CONTACTS

|             |          |                |            |                                       |        |               |  |                              |  |
|-------------|----------|----------------|------------|---------------------------------------|--------|---------------|--|------------------------------|--|
| mat'l. code |          | surface        |            | tolerance                             |        | projection    |  | product family               |  |
| SEE NOTE    |          | ISO 1302       |            | ISO 406 ISO 1101                      |        | mm            |  | BPS8                         |  |
| ltr         | ecn no   | dr             | date       | tolerances unless otherwise specified |        | mm            |  | title                        |  |
| A           | F00819   | DLE            | 2000-10-18 | angles                                | linear | mm            |  | ASSY BPS8                    |  |
| B           | 105-0156 | MINI           | 2005-09-06 | ±1'                                   |        | scale -       |  | 96 POS. A,B,C LOADED SPECIAL |  |
| C           | 106-0067 | MINI           | 2006-06-01 |                                       |        |               |  | dwg no                       |  |
|             |          |                |            | D.LEGRAND                             |        | 2000-10-18    |  | sheet 1 of 1                 |  |
|             |          |                |            | enr                                   |        | J.F.NOTTEAU   |  | 2000-10-18                   |  |
|             |          |                |            | chr                                   |        | RAKHEE GEORGE |  | 2006-06-01                   |  |
|             |          |                |            | appd                                  |        | RAKHEE GEORGE |  | 2006-06-01                   |  |
| sheet index |          | revision sheet |            | B                                     |        |               |  | type                         |  |
|             |          | 1              |            |                                       |        |               |  | Product Customer Drawing     |  |



Copyright FCI

# Mouser Electronics

Authorized Distributor

Click to View Pricing, Inventory, Delivery & Lifecycle Information:

[FCI / Amphenol:](#)

[BPS8B96NND200L9LF](#)