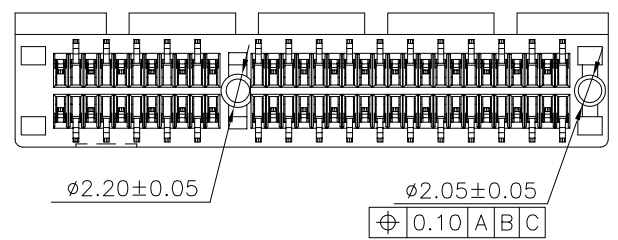
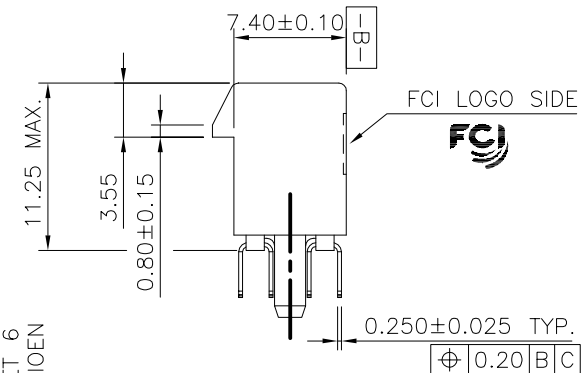
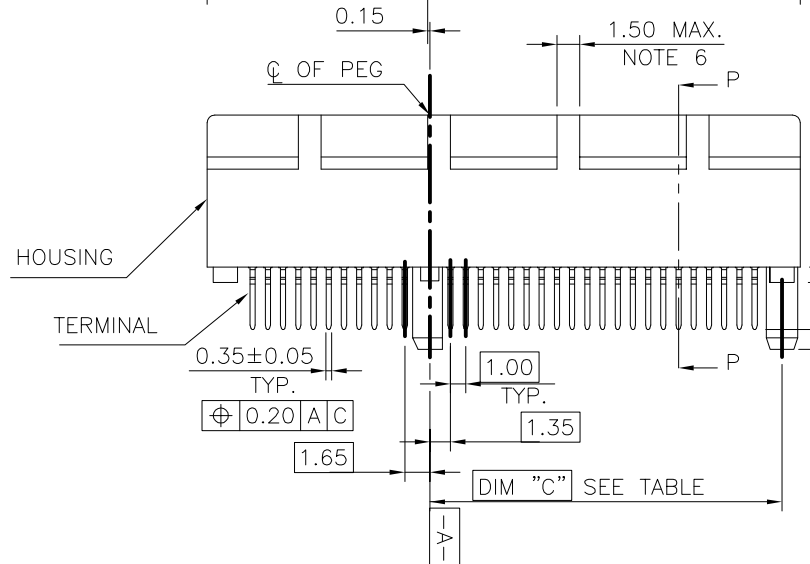
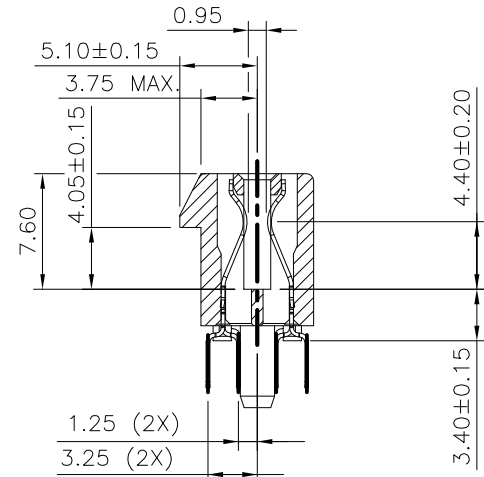
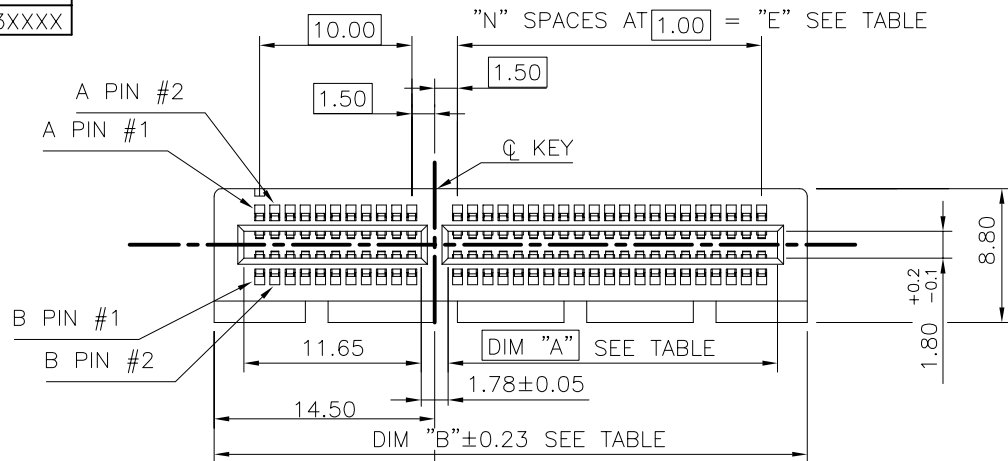


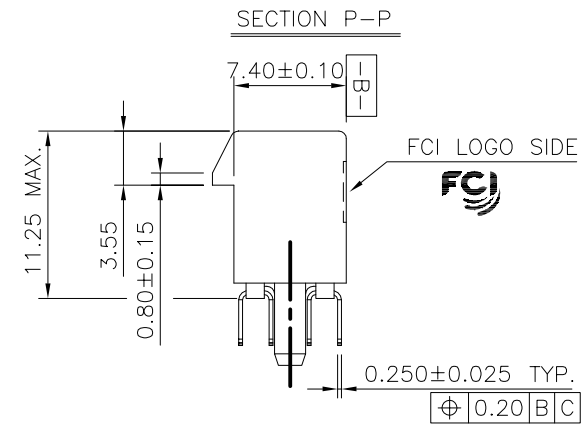
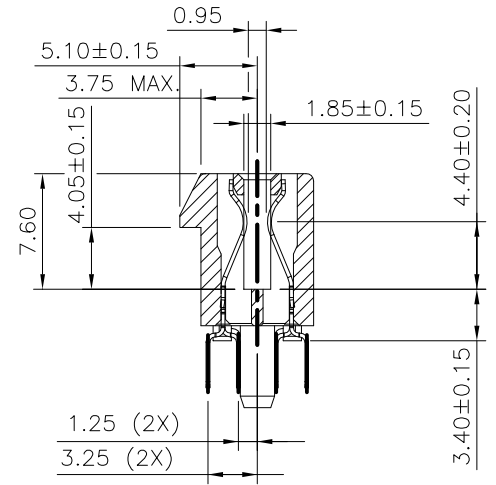
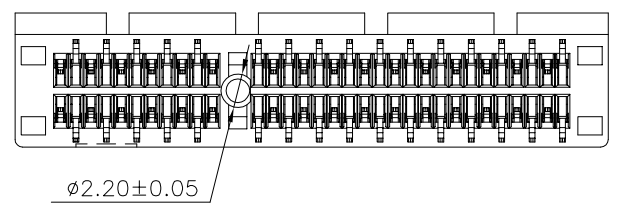
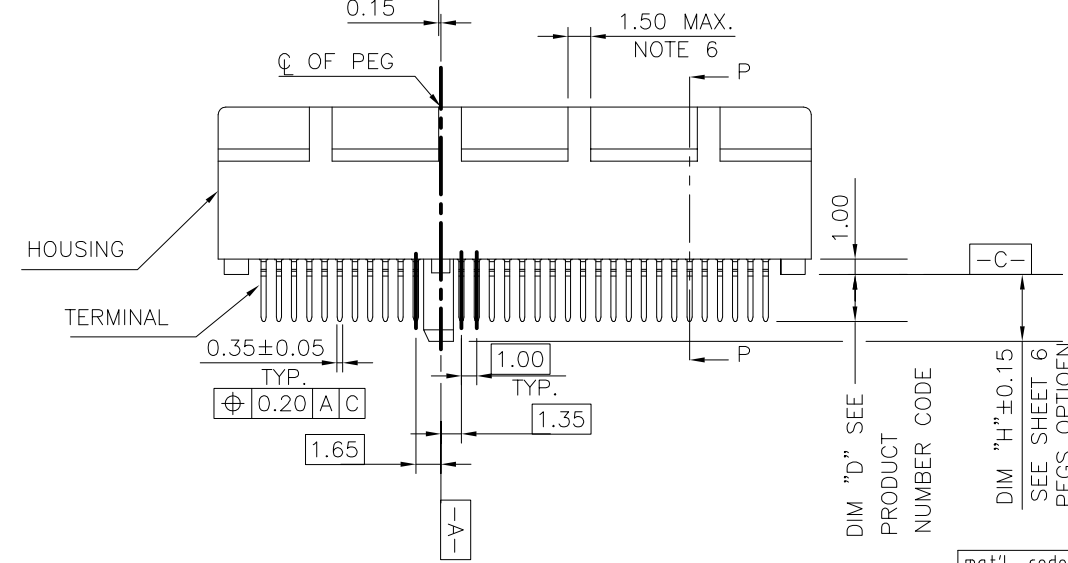
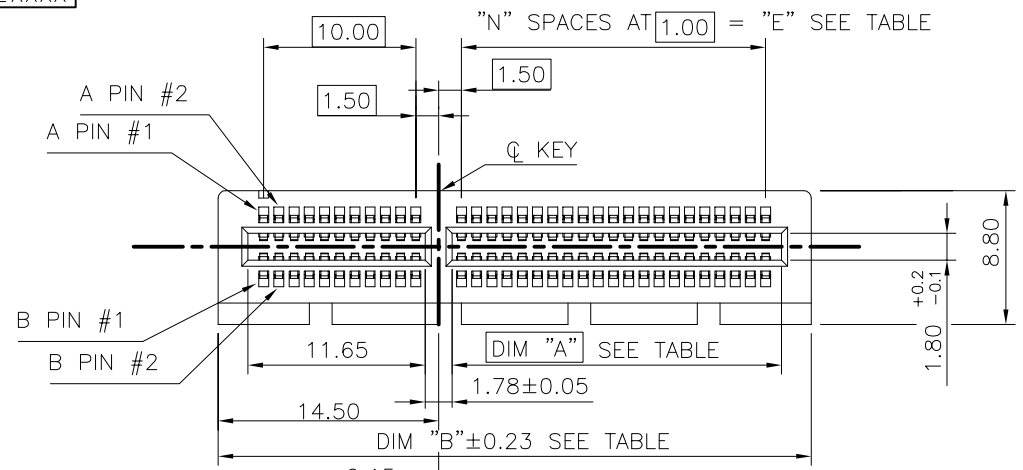
PRODUCT NO.
10018783-X0XXXX
10018783-X3XXXX



TWIN PLASTIC PEG TYPE

mat'l. code	-	surface	-	tolerance	ASME_Y14.5	projection	product family	PCI_EXPRESS
lfr	ecn no	dr	date	tolerances unless otherwise specified		MM	title	PCI_EXPRESS_GEN3 CARD_EDGE_ASSY
T	T05-0208	M-W	09/15/05	angles	.02±0.30	MM	PCI_EXPRESS_GEN3 CARD_EDGE_ASSY	sheet 1 of 7
U	T10-0007	J-H	1/20/10	LineGr	.00±0.20	MM	10018783	A4
V	ELX-DG-18311	S-T	07/16/14	±2'	.000±0.10	scale N/A	Amphenol FCI	CUSTOMER Drawing
W	ELX-DG-20070	S-T	01/23/15	dr	Stone Li	01/13/15		
X	ELX-DG-24598	LZH	07/28/16	engr	Stone Li	01/13/15		
Y	ELX-DG-26092	LZH	02/14/17	chr	/	/		
		appd	Collins Lu			01/13/15		
sheet index	revision	Y						
	sheet							

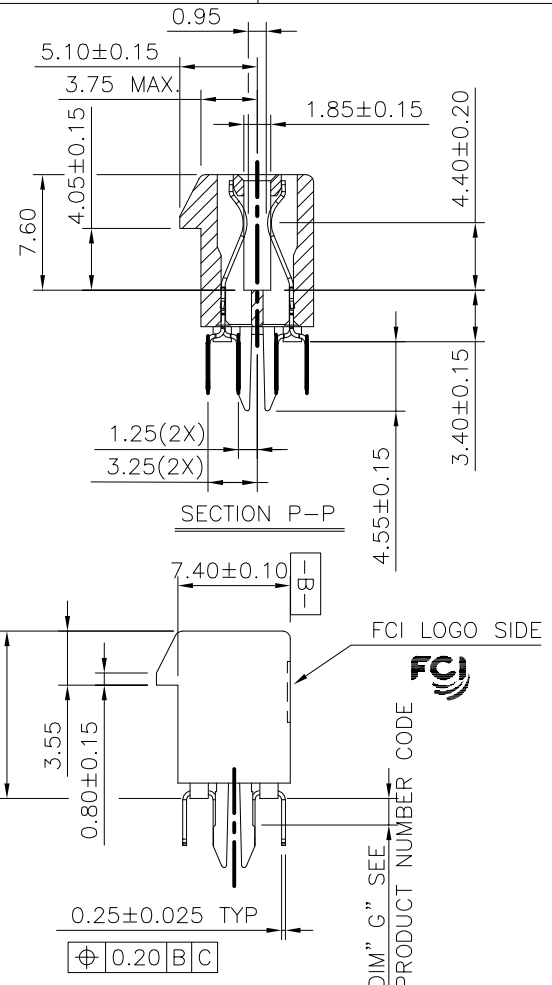
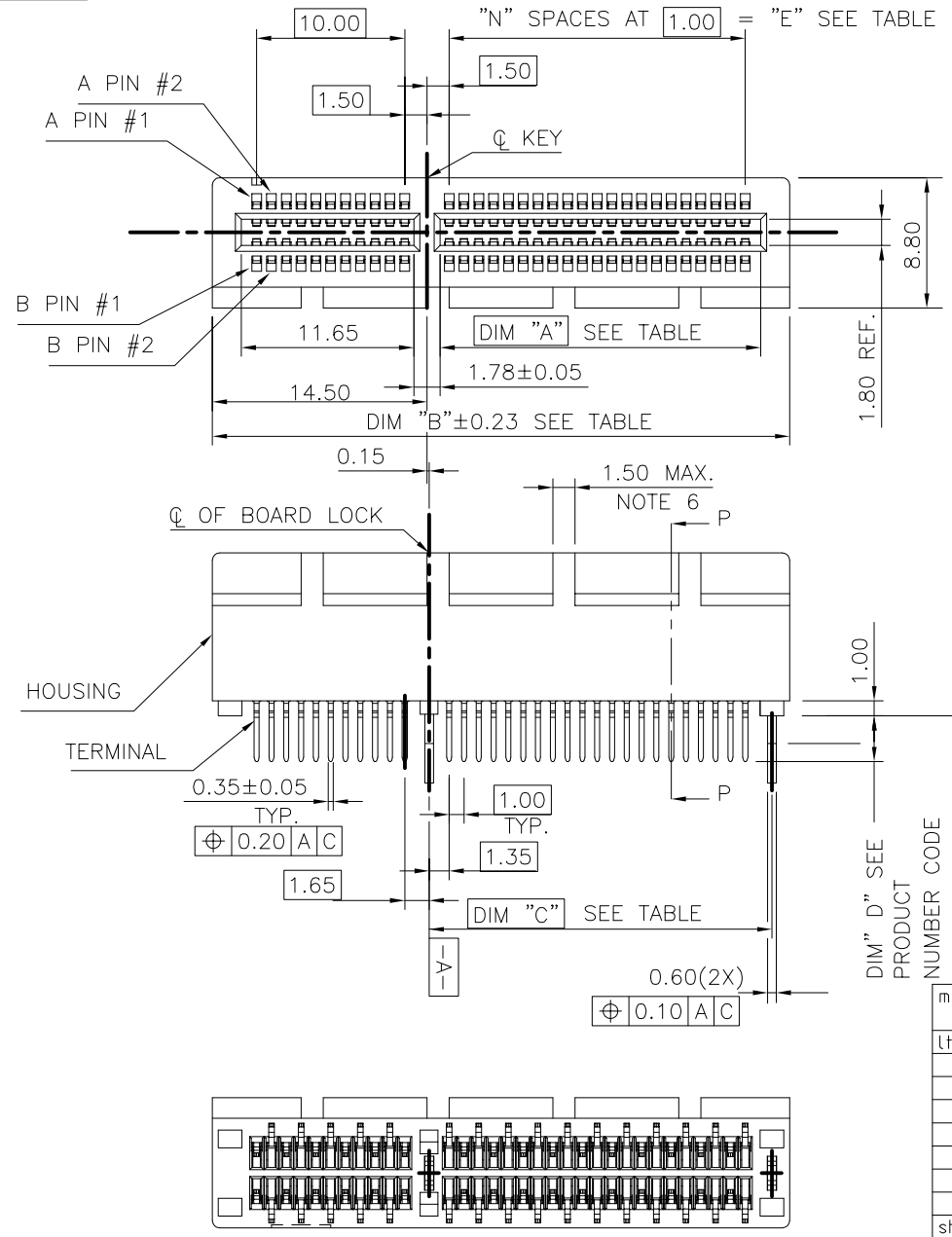
PRODUCT NO.
10018783-X2XXXX



SINGLE PLASTIC PEG TYPE

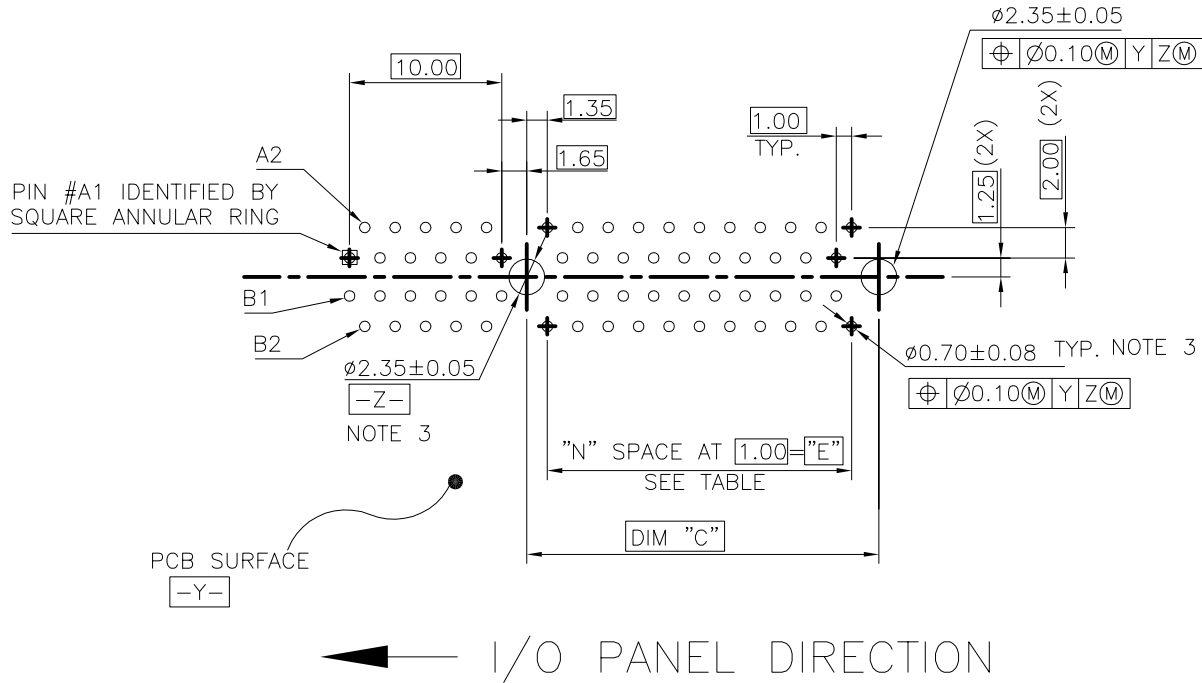
mat'l. code		surface		tolerance		projection		product family	
-		-		ASME_Y14.5		MM		PCI_EXPRESS	
lfr		ecn no		dr		date		title	
								PCI_EXPRESS_GEN3 CARD_EDGE_ASSY	
								dwg no	
								10018783	
								sheet 2 of 7	
								size	
								A4	
								type	
								CUSTOMER Drawing	
sheet index		revision sheet		Y					

PRODUCT NO.
10018783-X1XXXX



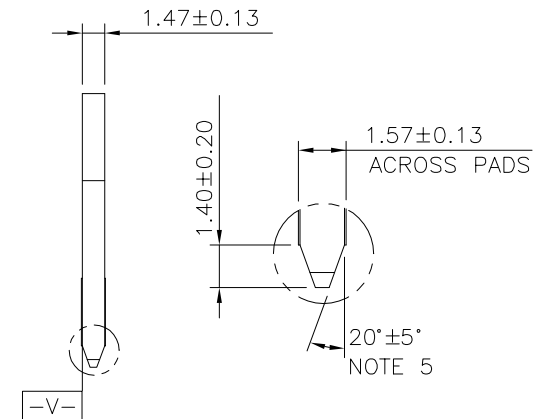
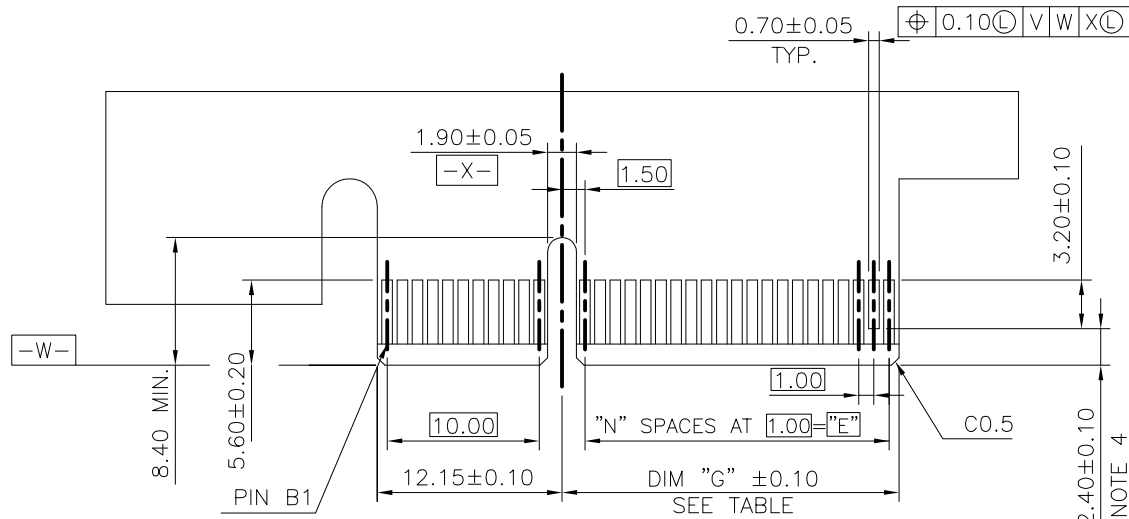
METAL BOARD LOCKS TYPE

mat'l. code		surface		tolerance	projection	product family	
-		-		ASME_Y14.5	MM	PCI_EXPRESS	
lfr		ecn no	dr	date	title		
		tolerances unless otherwise specified			PCI_EXPRESS_GEN3 CARD_EDGE_ASSY		
		angles		Linear	MM		
		±2'		.02±0.30	scale N/A		
				.00±0.20	Amphenol FCI		
				.000±0.10	dwg no		
		dr	Stone Li	01/13/15	sheet 3 of 7 size		
		enfr	Stone Li	01/13/15	10018783		
		chr	/	/	A4		
		appd	Collins Lu	01/13/15	type		
					CUSTOMER Drawing		
sheet index	revision sheet	Y					



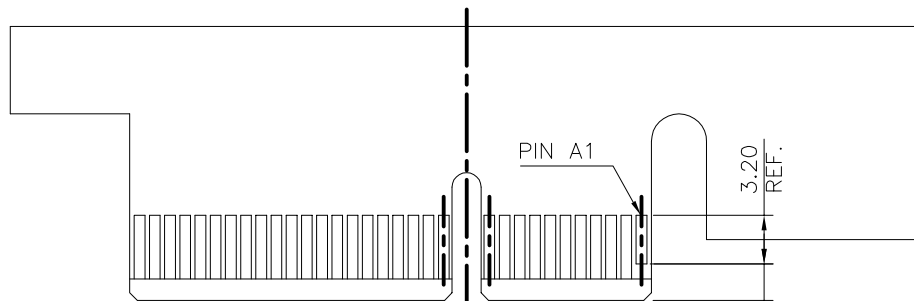
RECOMMENDED FOOTPRINT

mat'l. code		-		surface		- ✓		tolerance		ASME_Y14.5		projection		product family		PCI_EXPRESS	
lfr		ecn no		dr		date		tolerances unless otherwise specified		MM		title		PCI_EXPRESS_GEN3		CARD_EDGE_ASSY	
								angles		.0±0.30		scale N/A		dwg no		sheet 4 of 7 size	
								±2'		.00±0.20		Amphenol FCI		10018783		A4	
				dr		Stone Li		01/13/15				type		CUSTOMER Drawing			
				enrg		Stone Li		01/13/15									
				chr		/		/									
				appd		Collins Lu		01/13/15									
sheet index		revision sheet		Y													



SCALE 2:1

← I/O PANEL DIRECTION
PRIMARY (COMPONENT) SIDE



I/O PANEL DIRECTION →
SECONDARY (SOLDER) SIDE

PIN "F" SEE TABLE 2.40±0.10
NOTE 4

PIN "F" SEE TABLE 2.40±0.10
NOTE 4

ADD-IN CARD EDGE-FINGER DIMENSIONS

#	POS	REF.	N	DIM "G"	"F"
36	6		8.15	B17	
64	20		22.15	B31	
98	37		39.15	B48	
164	70		72.15	B81	

mat'l. code		surface		tolerance		projection		product family	
-		-		ASME_Y14.5				PCI_EXPRESS	
lfr		ecn no		dr		date		title	
								PCI_EXPRESS_GEN3 CARD_EDGE_ASSY	
								dwg no	
								10018783	
								sheet 5 of 7	
								size	
								A4	
								type	
								CUSTOMER Drawing	
sheet index		revision		Y					

NOTES:

1.MATERIAL:

HOUSING: HIGH TEMPERATURE NYLON, GLASS FILLED UL94V-0 RATED.
 TERMINAL: COPPER ALLOY.
 PLATING: SEE PRODUCT NUMBER CODE
 METAL BOARD LOCKS: COPPER ALLOY.
 FINISH: 100u" TIN OVER 50u" NICKEL

2.PRODUCT SPECIFICATION: GS-12-233.

③THE HORIZONTAL AXIS FOR THE HOLE PATTERN IS ESTABLISHED BY

A LINE THROUGH THE CENTER OF THE TWO Ø2.35 HOLES.
 THE VERTICAL AXIS IS 90° TO THE HORIZONTAL AXIS, THROUGH THE CENTER OF DATUM Z.

④NO TIE BAR PERMITTED FROM CARD EDGE TO LEADING EDGE OF PAD FOR PINS A1 AND PIN NUMBERS "F".

⑤CHAMFER EDGES MUST BE FREE OF CUTTING BURRS.

⑥FREQUENCY & LOCATION AT SUPPLIER DISCRETION. RIDGE MAY BE CONTINUOUS WITH NO BREAKS.

7.RoHS COMPATIBLE PRODUCT SPECIFICATIONS:

- a - PLATING:
 - "LF" MEANS THE PRODUCT IS LEAD-FREE.



- b - MANUFACTURING PROCESS COMPATIBILITY:
 - THE HOUSING WILL WITHSTAND EXPOSURE TO 260°C PEAK TEMPERATURE FOR 10 SECONDS IN WAVE-SOLDERING APPLICATION, IF RE-FLOW/PIP SOLDERING APPLICATION WILL BE APPLIED, THE PRODUCT(PART BASE NUMBER 10108777) IS RECOMMENDED.

CONNECTOR	# POS	REF.	N	DIM "A"	DIM "B"	DIM "C"	"E"
1 PORT	36		6	7.65	25.00	9.15	6.00
4 PORT	64		20	21.65	39.00	23.15	20.00
8 PORT	98		37	38.65	56.00	40.15	37.00
16 PORT	164		70	71.65	89.00	73.15	70.00

PRODUCT NUMBER CODE

10018783 -x x x x x x □ □

HOUSING COLOR OPTIONS

- 0-NATURAL
- 1-BLACK

PEGS OPTIONS

- 0-PLASTIC PEGS, DIM "H"=4.4
- 1-METAL BOARD LOCKS
- 2-SINGLE PLASTIC PEGS, DIM "H"=4.4
- 3-PLASTIC PEGS, DIM "H"=2.8

TERMINAL PLATING OPTIONS

- 0-50u" Ni UNDERPLATE
- 30u" Au CONTACT AREA
- 100u" TIN TAIL AREA ----- COMPATIBLE RoHS
- 1-50u" Ni UNDERPLATE
- 15u" Au CONTACT AREA
- 100u" TIN TAIL AREA ----- COMPATIBLE RoHS
- 2-50u" Ni UNDERPLATE
- GOLD FLASH CONTACT AREA
- 100u" TIN TAIL AREA ----- COMPATIBLE RoHS

LEAD FREE OPTION

"LF" FOR TERMINAL PLATING OPTION 0,1,2

POS OPTIONS

- 0-36
- 1-64
- 2-98
- 3-164

TAIL LENGTH OPTIONS

	DIM "D"	PCB THICKNESS	BOARD LOCKS DIM "G"
0	2.30 ±0.25	1.56±0.10	1.70±0.15
1	3.10 ±0.25	2.36±0.10	2.50±0.15
2	2.54±0.25	1.56±0.10	1.70±0.15
3	1.90±0.25	1.56±0.10	1.70±0.15

PACKAGING OPTIONS

- T-SOFT TRAY PACKAGING
- M-SOFT TRAY PACKAGING & MYLAR TAPE. SEE FIGULE 1
- Y-HARD TRAY PACKAGING (FOR 36P 98P AND 164P ONLY)
- Z-HARD TRAY PACKAGING WITH MYLAR (FOR 36P 98P AND 164P ONLY)
- E-HARD TRAY PACKAGING WITH ANTI-STATIC SHIELDING BAG (FOR 164P ONLY)
- R-TAPE & REEL PACKAGING (FOR 36, 64, 98P)
- A-TAPE & REEL PACKAGING WITH MYLAR (FOR 36, 64, 98P)

mat'l. code		-		surface		- ✓		tolerance		ASME_Y14.5		projection		product family		PCI_EXPRESS	
lfr		ecn no		dr		date		tolerances unless otherwise specified		angles		MM		title		PCI_EXPRESS_GEN3	
								±2'		.02±0.30		scale N/A		CARD_EDGE_ASSY		5	
								dr		Stone Li		01/13/15		dwg no		sheet 6 of 7 size	
								engr		Stone Li		01/13/15		10018783		A4	
								chr		/		/		type		CUSTOMER Drawing	
								appd		Collins Lu		01/13/15					
sheet index		revision sheet		Y													

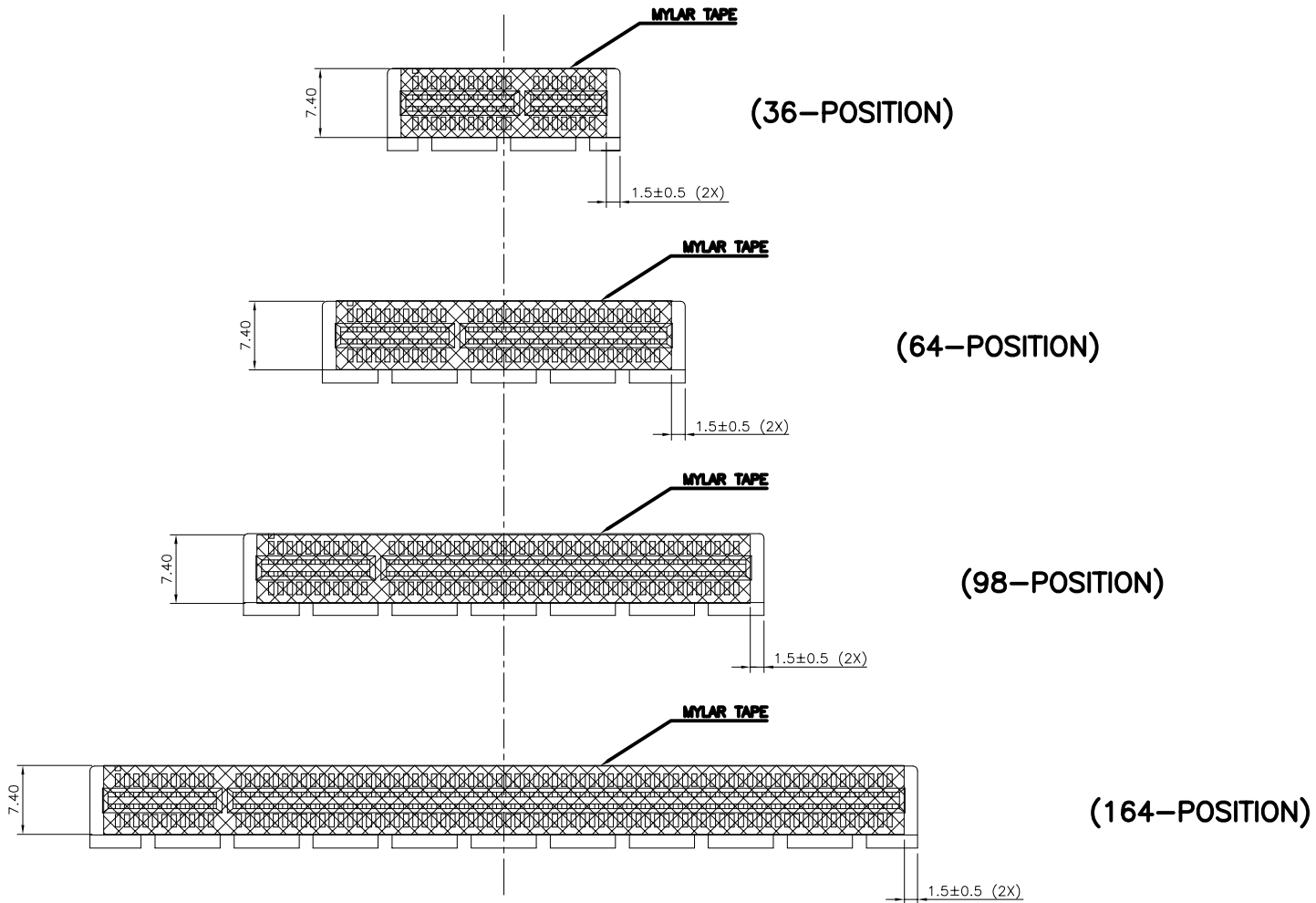


FIGURE 1

mat'l. code		-		surface	-	tolerance	ASME_Y14.5	projection	product family	PCI_EXPRESS
lfr		ecn no	dr	date	tolerances unless otherwise specified			 MM	title	
					angles	linear	.02±0.30		PCI_EXPRESS_GEN3	
					±2'		.00±0.20	scale N/A	CARD_EDGE_ASSY	
					dr	Stone Li	01/13/15		dwg no	
					enfr	Stone Li	01/13/15		sheet 7 of 7	
					chr	/	/		size	
					appd	Collins Lu	01/13/15		A4	
sheet index		revision sheet	Y						type	
									CUSTOMER Drawing	

Mouser Electronics

Authorized Distributor

Click to View Pricing, Inventory, Delivery & Lifecycle Information:

[FCI / Amphenol:](#)

[10018783-10003LF](#) [10018783-10003TLF](#) [10018783-10112TLF](#) [10018783-10111TLF](#) [10018783-10102TLF](#)
[10018783-10113TLF](#) [10018783-10110TLF](#) [10018783-10103TLF](#) [10018783-10101TLF](#) [10018783-10100TLF](#)
[10018783-10100T](#) [10018783-10101T](#) [10018783-10102T](#) [10018783-10103T](#) [10018783-10110T](#) [10018783-10111T](#)
[10018783-10113T](#) [10018783-00101TLF](#) [10018783-00200TLF](#) [10018783-02201TLF](#) [10018783-10000MLF](#) [10018783-](#)
[10000TLF](#) [10018783-10001MLF](#) [10018783-10001TLF](#) [10018783-10002MLF](#) [10018783-10002TLF](#) [10018783-](#)
[10010TLF](#) [10018783-10011TLF](#) [10018783-10012TLF](#) [10018783-10013TLF](#) [10018783-10100MLF](#) [10018783-](#)
[10101MLF](#) [10018783-10120TLF](#) [10018783-10122TLF](#) [10018783-10200MLF](#) [10018783-10200TLF](#) [10018783-](#)
[10201MLF](#) [10018783-10201TLF](#) [10018783-10202TLF](#) [10018783-10210TLF](#) [10018783-10211TLF](#) [10018783-](#)
[10212TLF](#) [10018783-10213TLF](#) [10018783-11000TLF](#) [10018783-11001TLF](#) [10018783-11002TLF](#) [10018783-](#)
[11003TLF](#) [10018783-11010TLF](#) [10018783-11011TLF](#) [10018783-11012TLF](#) [10018783-11013TLF](#) [10018783-](#)
[11100TLF](#) [10018783-11101TLF](#) [10018783-11102TLF](#) [10018783-11103TLF](#) [10018783-11110TLF](#) [10018783-](#)
[11111TLF](#) [10018783-11112TLF](#) [10018783-11113TLF](#) [10018783-11200MLF](#) [10018783-11200TLF](#) [10018783-](#)
[11201TLF](#) [10018783-11202TLF](#) [10018783-11203TLF](#) [10018783-11210TLF](#) [10018783-11211TLF](#) [10018783-](#)
[11212TLF](#) [10018783-11213MLF](#) [10018783-11213TLF](#) [10018783-12000TLF](#) [10018783-12003TLF](#) [10018783-](#)
[12012TLF](#) [10018783-12100TLF](#) [10018783-12120TLF](#) [10018783-12201TLF](#) [10018783-10112T](#) [10018783-10203TLF](#)
[10018783-10021TLF](#) [10018783-10023TLF](#) [10018783-11221TLF](#) [10018783-12100MLF](#) [10018783-12200TLF](#)
[10018783-11120TLF](#) [10018783-10010MLF](#) [10018783-10011MLF](#) [10018783-12202TLF](#) [10018783-10033ZLF](#)
[10018783-12210TLF](#) [10018783-10022TLF](#) [10018783-10030TLF](#) [10018783-10123TLF](#) [10018783-10202MLF](#)
[10018783-00203TLF](#) [10018783-10102MLF](#) [10018783-00200MLF](#) [10018783-00111TLF](#) [10018783-00103TLF](#)
[10018783-00113TLF](#) [10018783-00112TLF](#) [10018783-00201TLF](#)