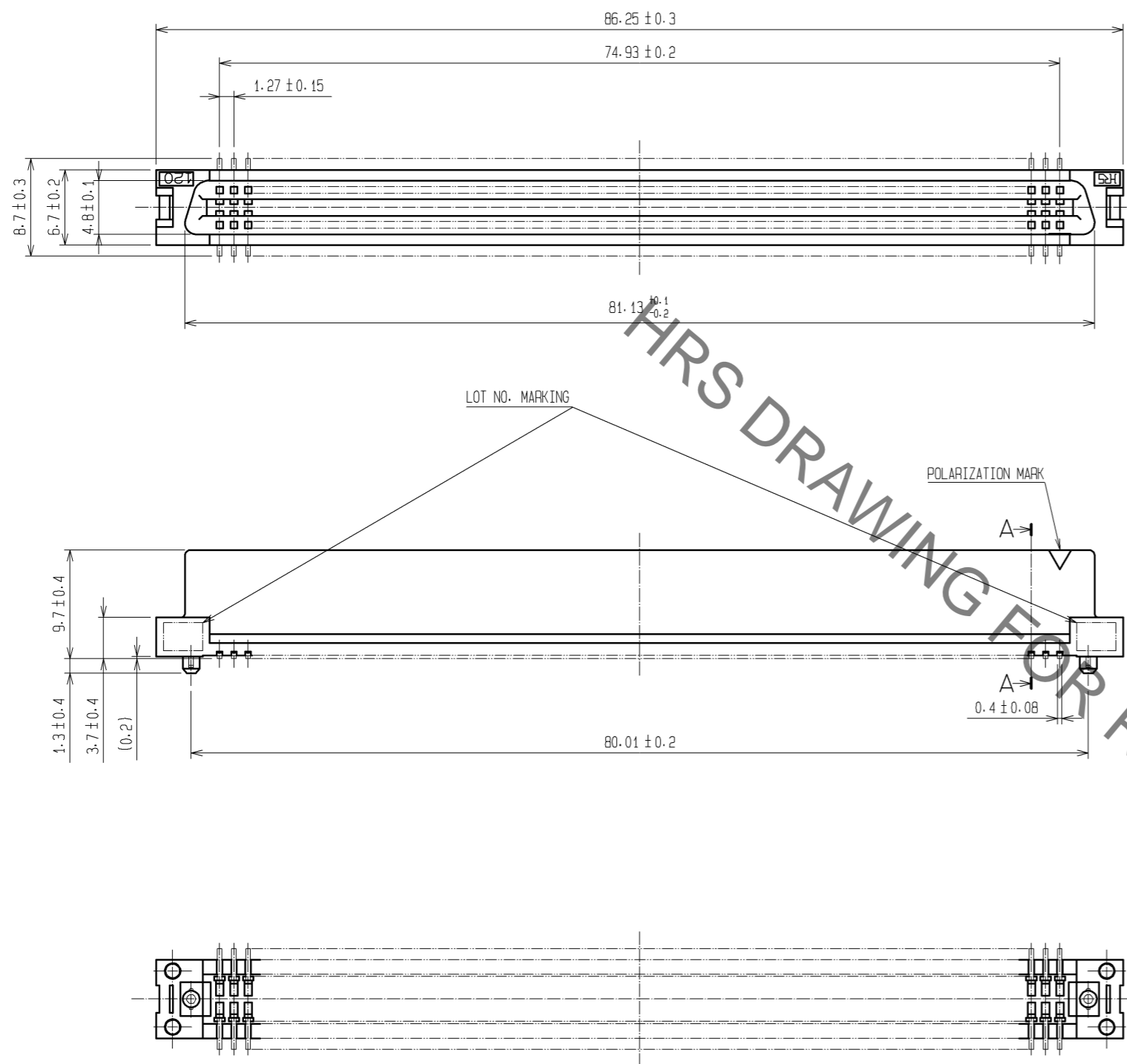
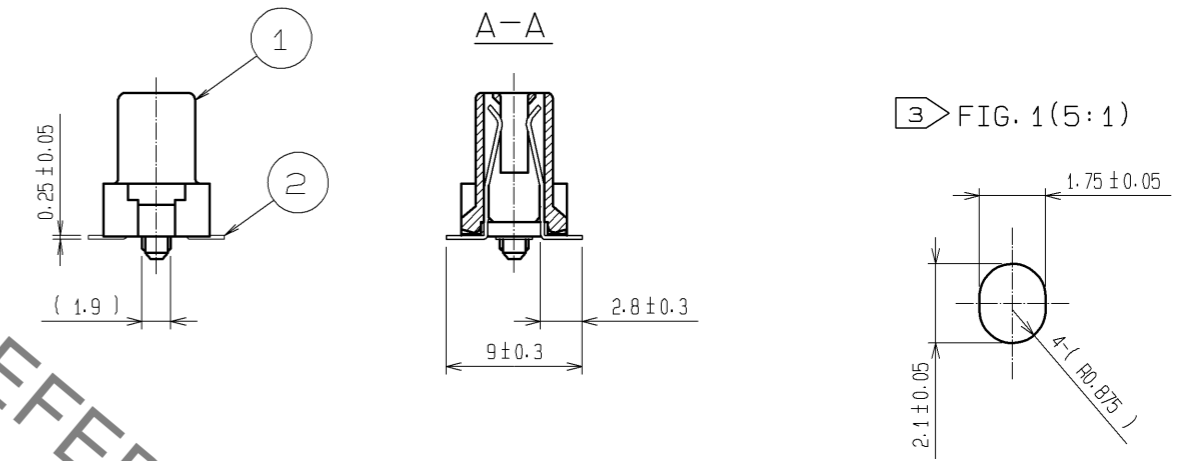
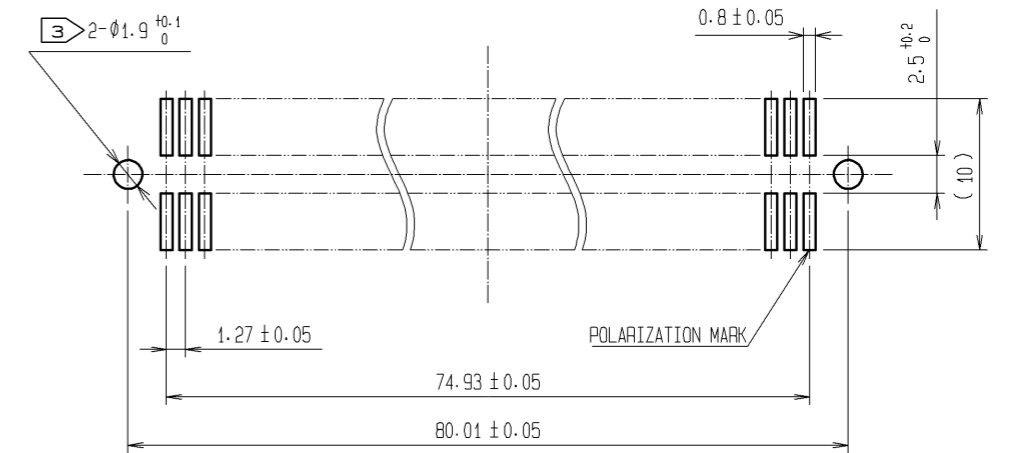


Nov.1.2020 Copyright 2020 HIROSE ELECTRIC CO., LTD. All Rights Reserved.
 In case of consideration for using Automotive equipment / device which demand high reliability, kindly contact our sales window correspondents.



RECOMMENDED LAND PATTERN DIMENSION OF PCB (MOUNTING SIDE) (FREE)
 (RECOMMENDED METAL MASK THICKNESS: t=0.2)



- NOTES 1 LEAD CO-PLANARITY SHALL BE 0.15 MAX.
 2 THE DIMENSIONS IN PARENTHESES ARE FOR REFERENCE.
 3 IN CASE OF THE AUTOMATED MOUNTING, RECOMMENDED HOLE DIAMETER OF BOSS IS SHOWN IN FIG. 1.

1	PPS	LIGHT BROWN	UL94V-0	2	PHOSPHOR BRONZE	CONTACT AREA:GOLD 0.2μm min. LEAD AREA:TIN-PLATING 2μm min. UNDER PLATING:NICKEL 1.5μm min.
NO.	MATERIAL	FINISH . REMARKS		NO.	MATERIAL	FINISH . REMARKS
UNITS		SCALE	COUNT	DESCRIPTION OF REVISIONS		DESIGNED
mm		2 : 1	△			CHECKED
HRS HIROSE ELECTRIC CO., LTD.		APPROVED : HS. OKAWA	08. 05. 23	DRAWING NO.		EDC3-082426-21
		CHECED : HS. OZAWA	08. 05. 23	PART NO.		FX2-120S-1. 27SV(71)
		DESIGNED : KY. NAKAMURA	08. 05. 23	CODE NO.		CL572-2109-5-71
		DRAWN : TP. MATSUMOTO	08. 05. 22			△ 1/1