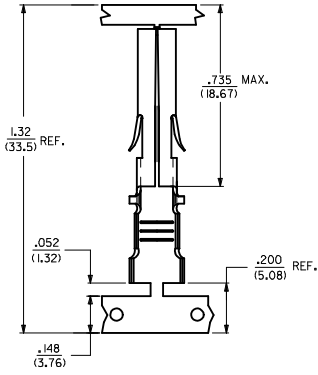
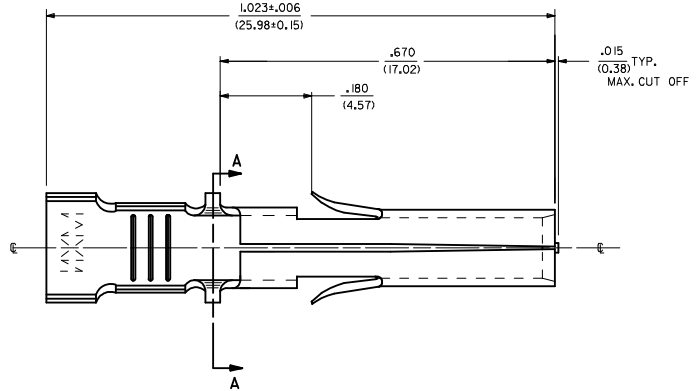


ITEM NO.	CRIMP SIZE	MATERIAL	PLATING	PACKAGING	'D'
42825-4002	12 AWG	.0160/10.406 THICK BRASS	PRE-TINNED .000020 (0.0005) MIN. TIN	SHIPPED ON REEL	.225 (5.72)

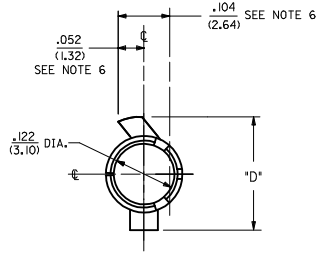


STRIP AND CARRIER LAYOUT
SCALE 4:1

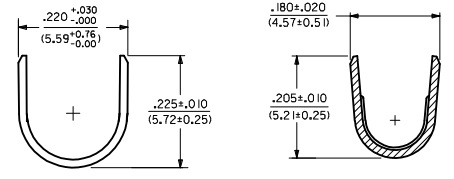
- NOTES:
1. MATERIAL: SEE CHART
 2. FINISH: SEE CHART
 3. PRODUCT SPECIFICATION: PS-40585
 4. PACKAGING: SEE CHART
 5. REELS OF THESE TERMINALS CANNOT HAVE MECHANICAL SPLICES.
 6. USING SEAM LINE AS VERTICAL CENTERLINE INDICATOR-MAXIMUM EXCURSION FROM HORIZONTAL CENTERLINE IS INDICATED FOR BOTH LOCK AND STOP TABS.
 7. THIS TERMINAL FOR USE IN HOUSING NO'S. 40585-1-5, 40585-3000, 43032-3300, 43032-3400, AND 43032-3500.
 8. TERMINALS FOR USE WITH STRANDED WIRE.
 9. PARTS CONFORM TO CLASS B REQUIREMENTS OF COSMETIC SPECIFICATION PS-45499-002.



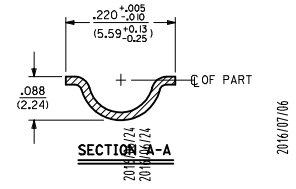
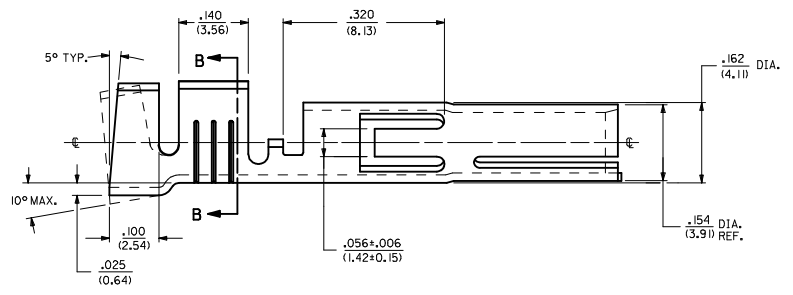
12 AWG TERMINAL SHOWN



INSULATION CRIMP DETAIL



SECTION B-B



SECTION A-A

<p>REMOVE OBSOLETE EC NO. UCF 2016-4886 DRAWN: BAPPELDORN CHKD: KIPPER APPR: F SMITH</p>	QUALITY SYMBOLS	GENERAL TOLERANCES (UNLESS SPECIFIED)	DIMENSION STYLE	SCALE	DESIGN UNITS	THIRD ANGLE PROJECTION
	▽=0	mm INCH	IN/MM	8:1	INCH	☉
	▽=0	4 PLACES ± --- ± ---	DRAWN BY DATE	BAPPELDORN 2016/06/24	TITLE	
	▽=0	3 PLACES ± --- ± .005	CHECKED BY DATE	SBB 91/03/08	TERMINAL SOCKET .125 (3.18) DIA.	
	ANGULAR ±1/2°	DRAFT WHERE APPLICABLE MUST REMAIN WITHIN DIMENSIONS	MATERIAL NO.	DATE	APPROVED BY	
			SEE CHART	2016/07/06	F SMITH	
			SIZE D	THIS DRAWING CONTAINS INFORMATION THAT IS PROPRIETARY TO MOLEX INCORPORATED AND SHOULD NOT BE USED WITHOUT WRITTEN PERMISSION		
				MATERIAL NO.	DOCUMENT NO.	SHEET NO.
				SD-42825-40**	1 OF 1	

Mouser Electronics

Authorized Distributor

Click to View Pricing, Inventory, Delivery & Lifecycle Information:

[Molex:](#)

[42825-4002](#)