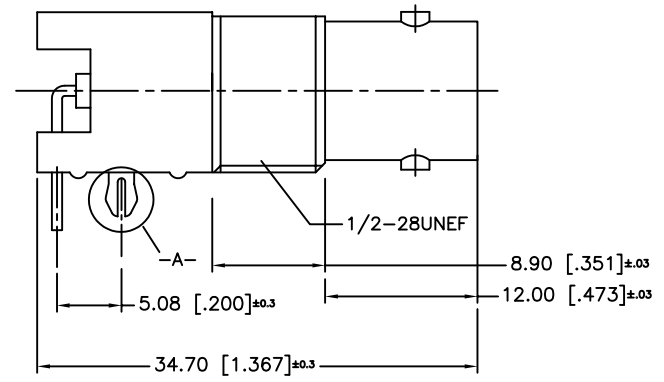
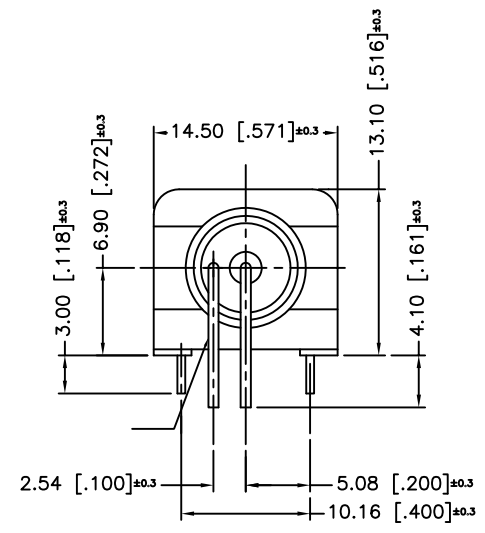
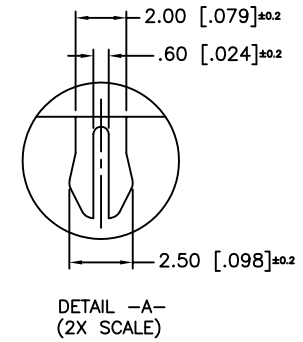
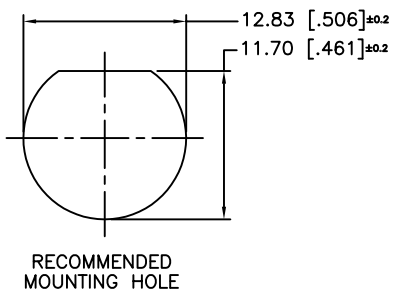
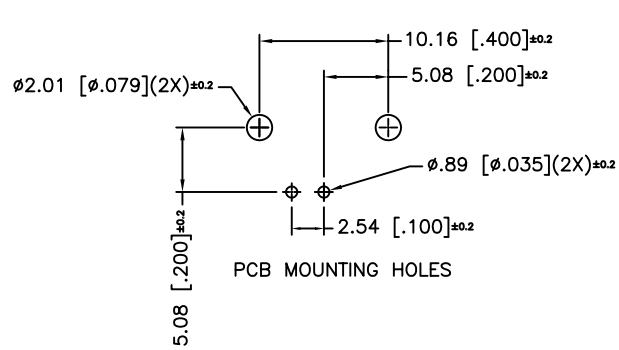


REV.	DATE	ECR NO	DESCRIPTION
A	02/12/04	--	UPDATE DRAWING FORMAT/ MODIFY BODY
(B)	06/28/07	--	REVISE BACK HOUSING SHOWING BACK CONTACT PINS CAPTIVATED
C	02/17/10	2012	HARDWARES REMOVED



NOTE:
1. MAX. PANEL THICKNESS = 5mm

DESCRIPTION	MATERIAL	FINISH	QTY
5 MOUNTING POST	BRASS	TIN PLATE	1
4 CONTACT PIN	PHOS. BRONZE	GOLD	1
3 INSULATOR	P.P.	NATURAL	1
2 BODY	ZINC DIE CAST	NICKEL	1
1 HOUSING	P.B.T.	BLACK	1

UNLESS OTHERWISE SPECIFIED DIMENSIONS ARE IN MILLIMETERS. DIMENSIONS IN [] ARE IN INCHES AND FOR CUSTOMER REFERENCE ONLY.

UNLESS OTHERWISE SPECIFIED TOLERANCES FOR MILLIMETERS ARE:
0.5 - 8mm ± 0.20mm
8 - 30mm ± 0.40mm
30 - 120mm ± 0.50mm

UNLESS OTHERWISE SPECIFIED TOLERANCES FOR INCHES ARE:
.020 - .315 = ± 0.007"
.315 - 1.180 = ± 0.015"
1.180 - 4.724 = ± 0.020"

DO NOT SCALE DRAWING

APPROVALS	DATE
DRAWN CLEMENT	02/17/10
CHECKED	
ISSUED	
SHEET 1 OF 1	
CAD FILE	C:/112/112418.DWG

Amphenol Connex			
PART DESCRIPTION BNC R/A PC MOUNT RECEPT. JACK			
PART NO. 112418			
DWG. NO.	112418.DWG	REV.	C
SIZE	A	SCALE	NA

Mouser Electronics

Authorized Distributor

Click to View Pricing, Inventory, Delivery & Lifecycle Information:

[Amphenol:](#)

[112418](#)