

# Banana Jack - Insulated Turret Terminal

## SPECIFICATIONS

**Contact:** Machined brass per QQ-B-626D

**Finish:** Silver

**Body:** Nylon 6/6 per ASTM D4066

**Hardware:** Nickel plated nut (unassembled)

**Body Thread Stripping Torque:** 6.0 lb. in.  
(7kg. cm.)

**Panel Thickness:** Up to .343 (8.80)

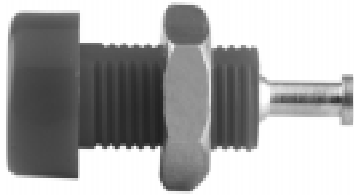
## RATINGS

**Current:** 15 amps

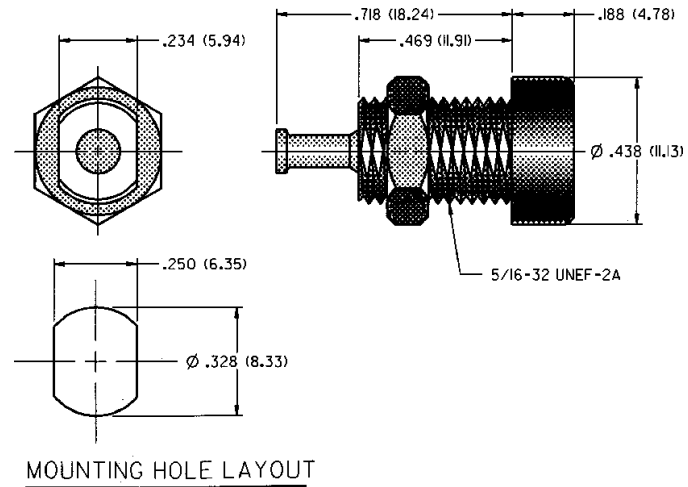
**Breakdown Voltage:** 7000 Vrms minimum

**Contact Resistance:** 0.010 ohms maximum

**Contact-To-Panel:** 2.4 pF nominal



SILVER PLATING	
108-2302-621	Red



**For Standard Banana Plug: .175 (4.44) Across Flats**

## FEATURES:

- Keyed mounting with double flats
- Nylon UL approved for self extinguishing

# Mouser Electronics

Authorized Distributor

Click to View Pricing, Inventory, Delivery & Lifecycle Information:

[Cinch Connectivity Solutions:](#)

[108-2302-621](#)