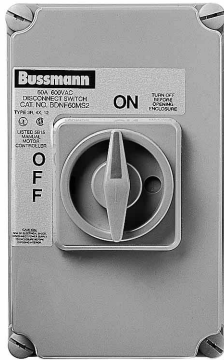


# Compact Disconnect Switch

## Enclosed, Non-Fusible

### 600 Volt, 30A-60A

BDNF\_\_MS\_



Catalog Symbol: BDNF30MS1 and BDNF60MS1  
 Ampere Rating: 30A, 60A  
 Voltage Rating: 600V  
 Enclosures: Valox®  
 Handle: Nylon  
 Agency Approvals:  
 UL Standard, 508 – Industrial Control Equipment  
 CSA Certified, C22.2 No. 14-M91  
 NEMA Type 3R, 4X, 12  
 VALOX is a registered trademark of GE Plastic Co.

**General Information:**

- Bussmann disconnect switches are used in manual "ON" and "OFF" control of single-phase or three-phase AC motors.
- Bussmann disconnect switches offer the ability to lock directly wired motor loads in the "OFF" position to comply with OSHA Lockout/Tagout regulations.
- Bussmann disconnect switches are NEMA Type 3R, 4X, 12 (washdown, corrosion resistant).

**Electrical Rating Ranges**

Switches	Horse Power Ratings					
	Single Phase		Three Phase			
	120V	240V	208V	240V	480V	600V
30 Amp	2	5	10	10	20	30
60 Amp	3	10	15	20	40	50

Auxiliary contacts: 6A 250 VAC, 1 N.O. & 1 N.C.

**Short-Circuit Rating**

Catalog Number	SC Rating	Max. VAC	Protected By:
BDNF30MS1	10kA	600	80A RK5 fuses
BDNF30MS1-M2	10KA	600	80A RK5 fuses
BDNF60MS2	10kA	600	110A RK5 fuses
BDNF60MS2-M2	10kA	600	110A RK5 fuses

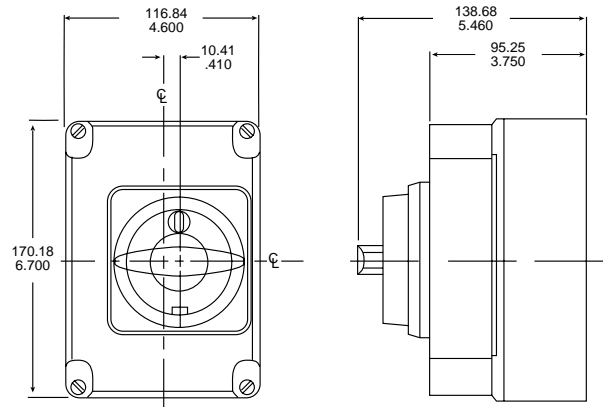
**Ordering Information**

Catalog Number	Amperage	Max. Voltage	Description
BDNF30MS1	30A	600V	No Auxiliary Contacts
BDNF30MS1-M2	30A	600V	Auxiliary Contacts Installed
BDNF60MS2	60A	600V	No Auxiliary Contacts
BDNF60MS2-M2	60A	600V	Auxiliary Contacts Installed
BDAUX49	30A		Auxiliary Contact Kit (Field Installed)
BDAUX79	60A		Auxiliary Contact Kit (Field Installed)

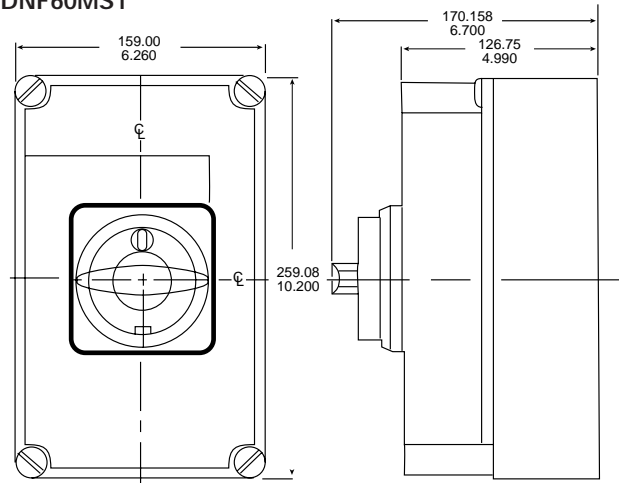
**Dimensional Data**

All dimensions ±0.13mm ±.005"

**BDNF30MS1**



**BDNF60MS1**



**Features:**

- Enclosures are made of high-impact strength, non-metallic materials which have excellent corrosion resistance.
- Lockable handle to meet OSHA lockout/tagout regulations.
- Large rotary handle provides easy gripping even with gloved or dirty hands.
- Poured-in continuous gasket ensures full perimeter sealing; guarantees gasket is installed and not forgotten. Eliminates need to handle separate component.
- Captive cover mounting screws always in place, ready to assemble.
- DIN-rail mounting switch easily removed for ease of wiring.

**Options:**

- Available from factory with auxiliary contacts installed or as a field installed kit (see ordering information).

The only controlled copy of this BIF document is the electronic read-only version located on the Bussmann Network Drive. All other copies of this document are by definition uncontrolled. This bulletin is intended to clearly present comprehensive product data and provide technical information that will help the end user with design applications. Bussmann reserves the right, without notice, to change design or construction of any products and to discontinue or limit distribution of any products. Bussmann also reserves the right to change or update, without notice, any technical information contained in this bulletin. Once a product has been selected, it should be tested by the user in all possible applications.

# Mouser Electronics

Authorized Distributor

Click to View Pricing, Inventory, Delivery & Lifecycle Information:

[Eaton:](#)

[BDNF60MS2](#)