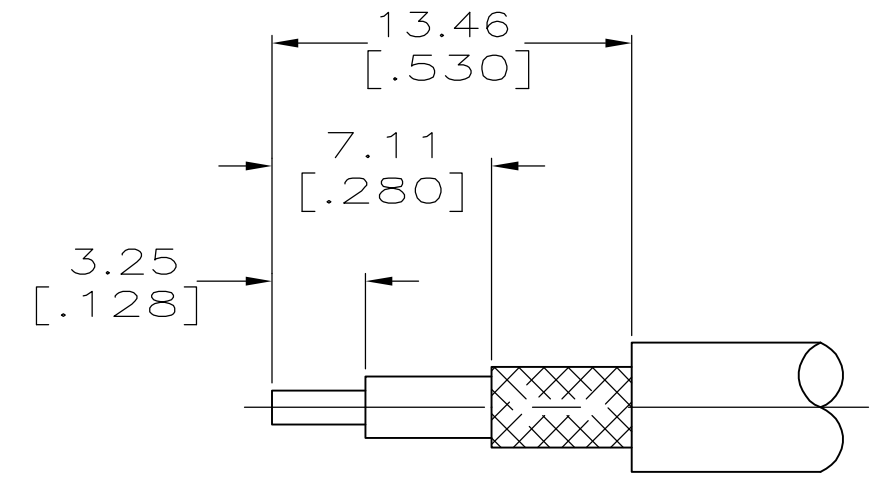
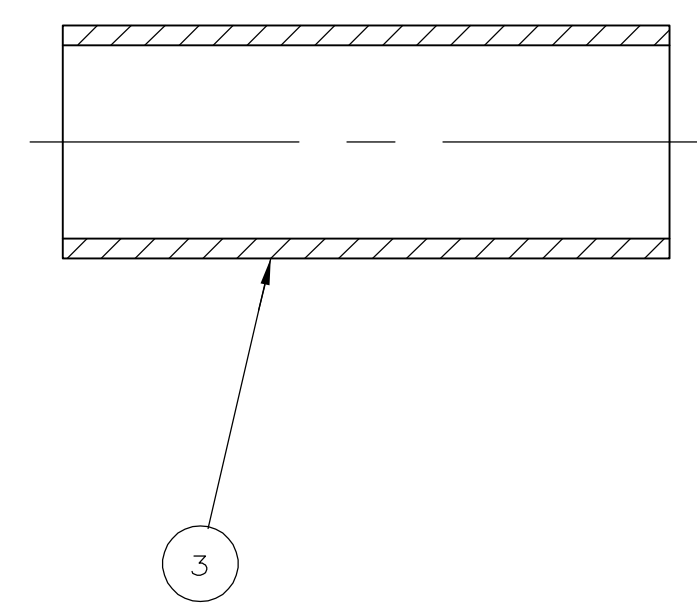
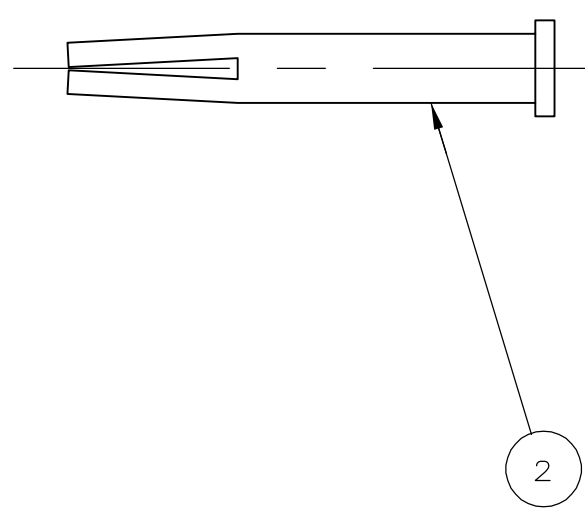
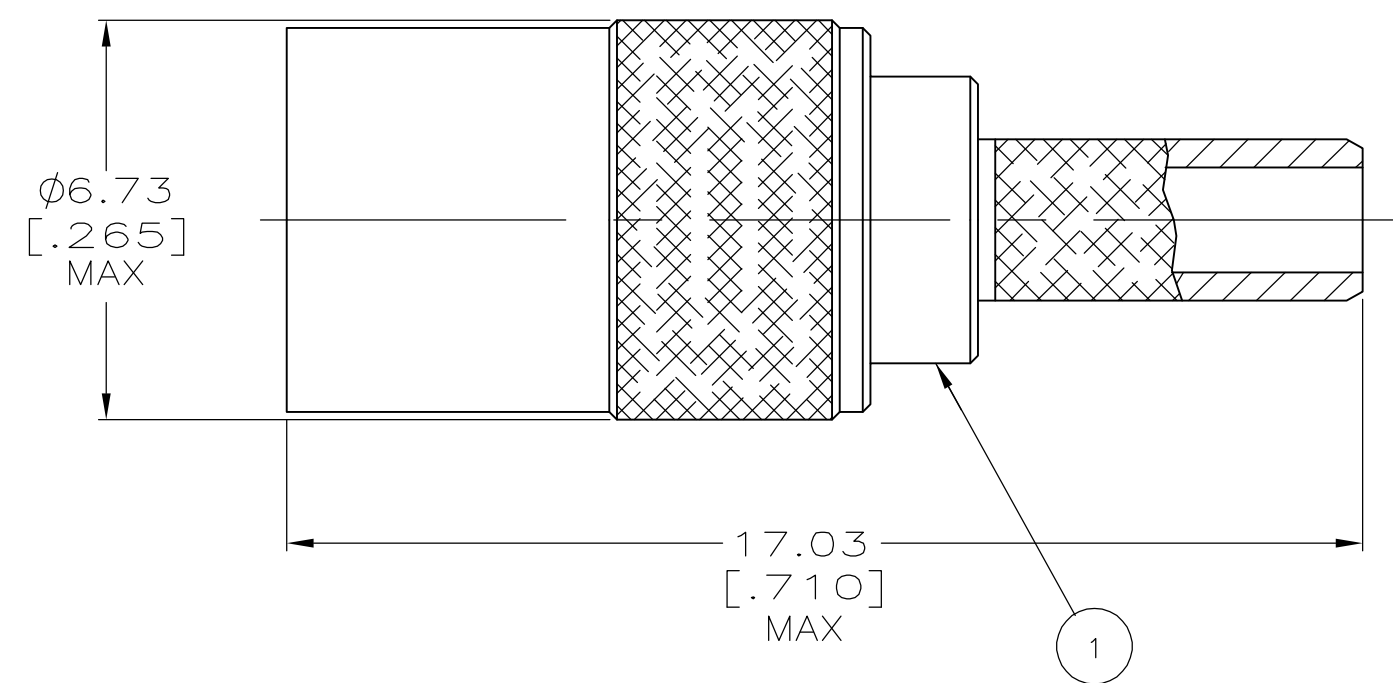


THIS DRAWING IS UNPUBLISHED. RELEASED FOR PUBLICATION
 © COPYRIGHT BY TYCO ELECTRONICS CORPORATION. ALL RIGHTS RESERVED.

LOC		DIST		REVISIONS					
AJ		16		P	LTR	DESCRIPTION	DATE	DWN	APVD
				B2		REVISED PER ECO 05-015746	15MAY06	GB	JH



RECOMMENDED STRIP LENGTHS
SCALE NTS



- △ FINISHES:
 BODY: NICKEL PLATE PER QQ-N-290
 CONTACT: GOLD PLATE PER ASTM B 488
 OUTER CONTACT: GOLD PLATE PER ASTM B 488
- △ FINISHES:
 BODY: NICKEL PLATE PER QQ-N-290
 CONTACT: GOLD PLATE PER ASTM B 488
 OUTER CONTACT: NICKEL PLATE PER QQ-N-290
- 3. INTERFACE PER MIL-C-39012.
- 4. SEE I.S. SHEET 408-2987-12.

B	58483-1	.128	HX4-1637	4	K699	△1	RG-179	9-446556-1	228278-4	9-414958-0	1-5414946-1						
B	58483-1	.128	HX4-1637	4	K699	△2	RG-179	1-413889-3	228278-4	9-414958-1	5414946-6						
B	58483-1	.128	HX4-1637	4	K699	△1	RG-179	1-413889-3	228278-4	9-414958-0	5414946-5						
C	58483-1	.151	HX4-1637	4	K699	△1	RD-316	1-413889-4	228203-4	9-414958-0	5414946-3						
B	58483-1	.128	HX4-1637	4	K699	△2	RG-316 & RG-174	1-413889-3	228203-4	9-414958-1	5414946-2						
POSITION LETTER	AMP DIE SET	HEX SIZE	DANIELS DIE SET	SELECTOR NUMBER	DANIELS POSITIONER	NOTES	CABLE	③ FERRULE QTY=1	② CONTACT QTY=1	① PLUG ASSY QTY=1	PART NO						
AMP PRO-CRIMPER FOR BRAID CRIMP						M 22520/5-01 FOR BRAID CRIMP						M 22520/2-01 FOR CONTACT CRIMP					
TOOLING INFORMATION																	

THIS DRAWING IS A CONTROLLED DOCUMENT.

DIMENSIONS: mm [INCHES]	TOLERANCES UNLESS OTHERWISE SPECIFIED:	DWN G. ATTADIA - DOCK5 01FEB2005	Tyco Electronics Corporation Harrisburg, PA 17105-3608
	0 PLC ± -	CHK J. HAVENER 01FEB2005	
	1 PLC ± -	APVD J. HAVENER 01FEB2005	
	2 PLC ± 0.25 [.010]	PRODUCT SPEC	
MATERIAL -	FINISH SEE TABLE	APPLICATION SPEC -	NAME 50 OHM PLUG ASSY, STRAIGHT, CABLE MOUNT, SMB
CUSTOMER DRAWING		WEIGHT -	SIZE A2 CAGE CODE 00779 DRAWING NO C=5414946 RESTRICTED TO -
		SCALE 8:1	SHEET 1 of 1 REV B2

Mouser Electronics

Authorized Distributor

Click to View Pricing, Inventory, Delivery & Lifecycle Information:

[TE Connectivity:](#)

[5414946-5](#)