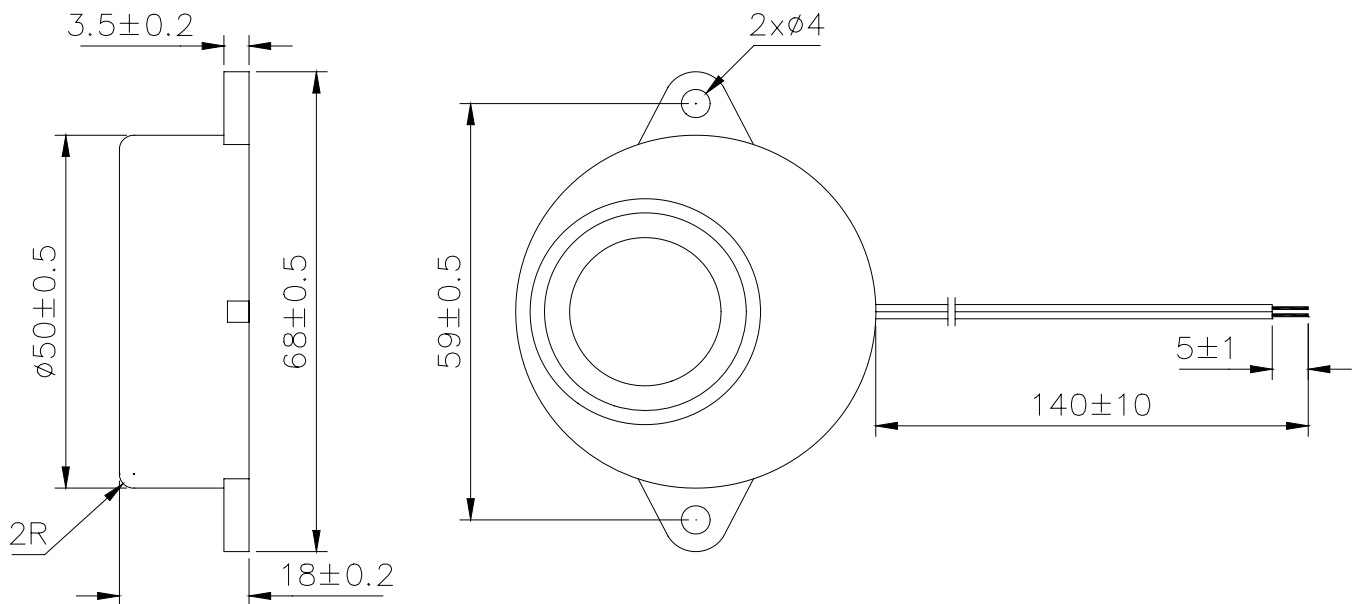


Sales Outline DrawingRevision **B****Specifications:**

Resonant Frequency (Hz)	2800 ± 500
Operating Voltage (Vdc)	5 ~ 15
Rated Voltage (Vdc)	12
Current Consumption (mA/max)	150 at Rated Voltage
Sound Pressure Level (dB/min)	100 at 100cm at Rated voltage
Tone/Pulse Rate (Hz0)	Constant
Operating Temperature (°C)	-20 ~ +70
Storage Temperature (°C)	-30 ~ +80
Housing	ABS 777D UL94HB plastic resin (Color: Black)
Lead Wire	28 AWG (Red + Black)
Weight (Grams)	25.8
Condition by wave soldering (°C)	245 ±5 / 3±0.5 sec
Condition by hand soldering (°C)	350 ±20 / within 5 sec
Options	For other options contact factory

Dimensions: (units: mm)**ROHS Compliant**

Mouser Electronics

Authorized Distributor

Click to View Pricing, Inventory, Delivery & Lifecycle Information:

[Mallory Sonalert:](#)

[PS-580Q](#)