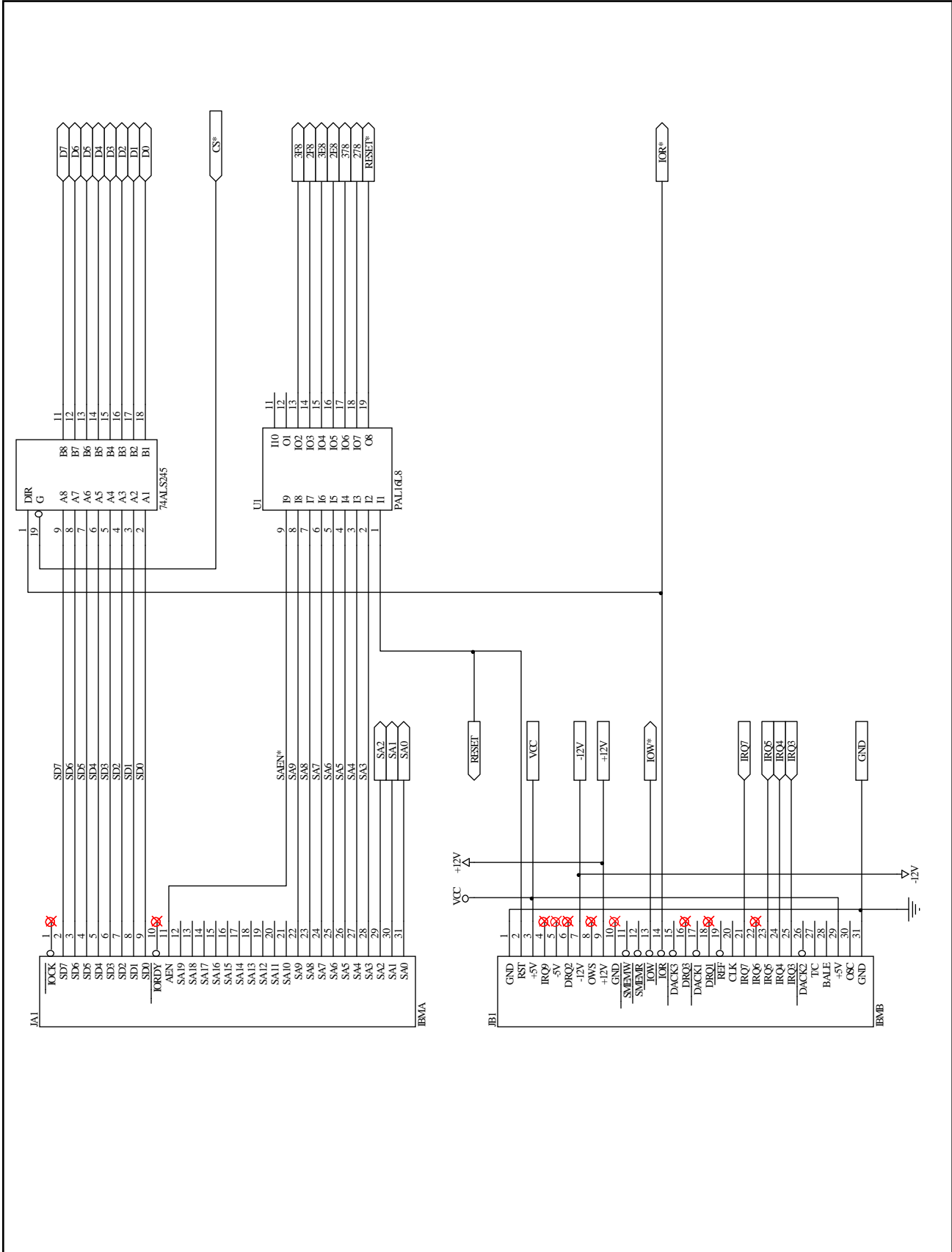


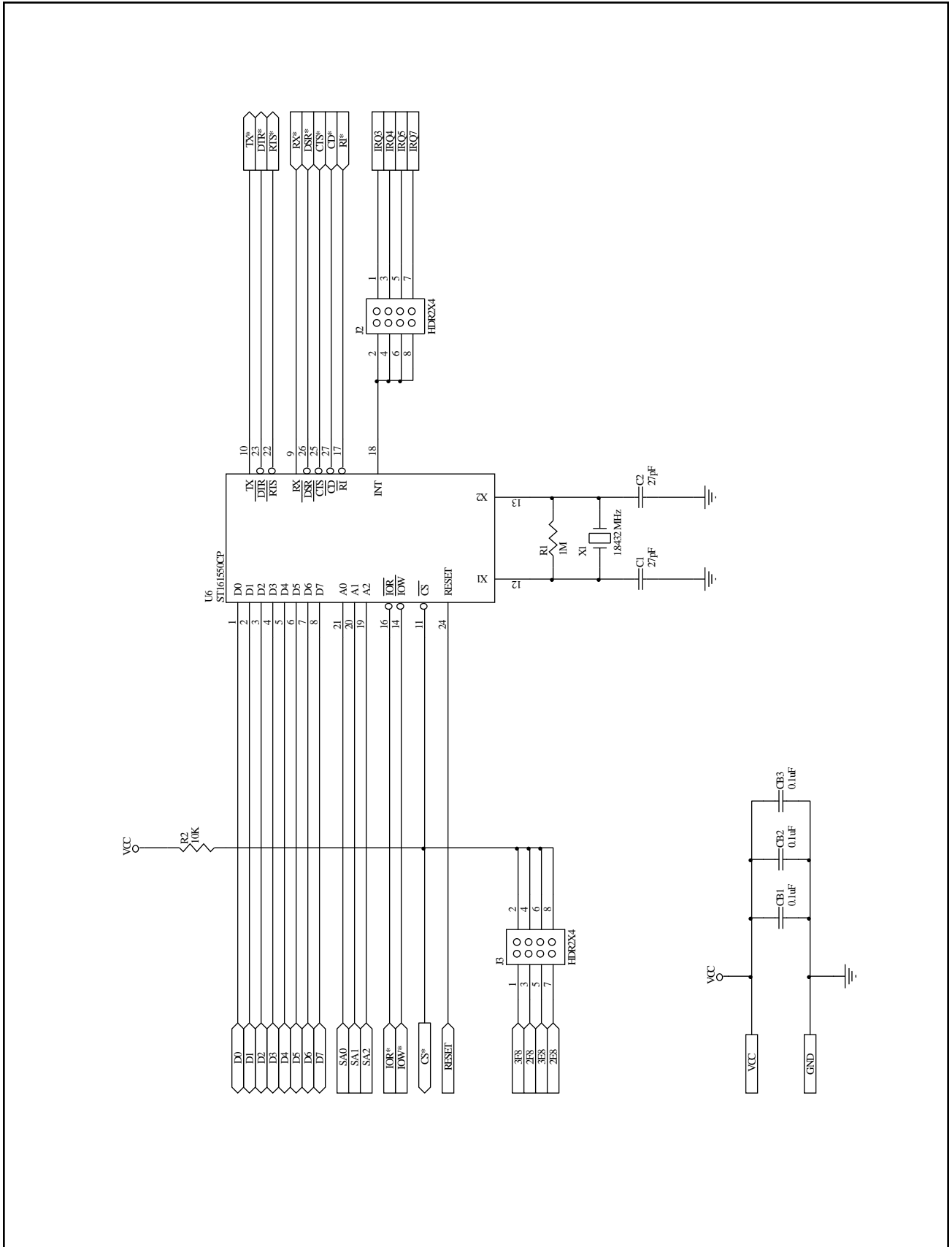
AN1450  
AN1550

Printed December 17, 1996

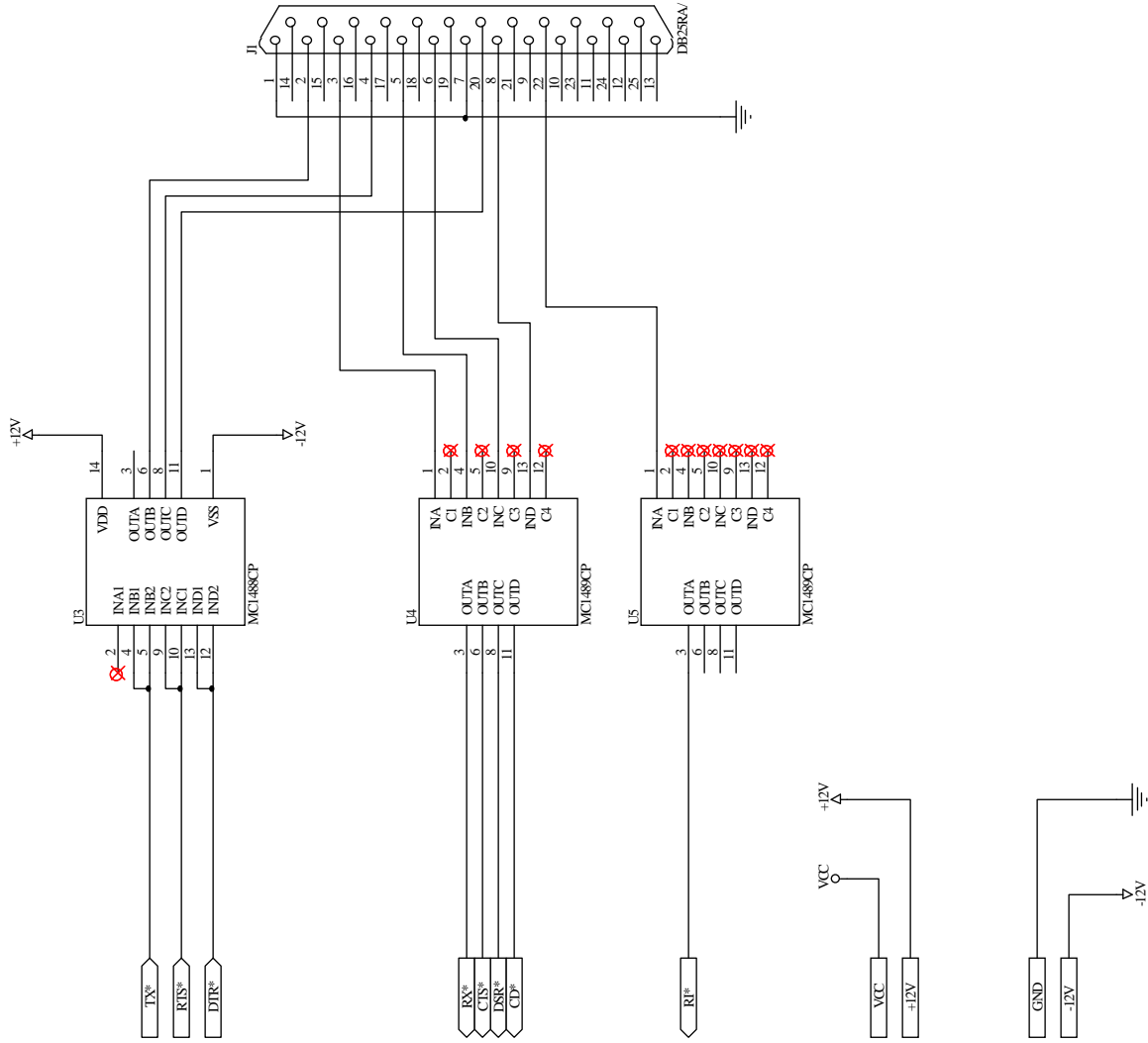
**ST16C1450/1550 APPLICATION EXAMPLE**

# AN1550





# AN1550





## NOTICE

EXAR Corporation reserves the right to make changes to the products contained in this publication in order to improve design, performance or reliability. EXAR Corporation assumes no responsibility for the use of any circuits described herein, conveys no license under any patent or other right, and makes no representation that the circuits are free of patent infringement. Charts and schedules contained here in are only for illustration purposes and may vary depending upon a user's specific application. While the information in this publication has been carefully checked; no responsibility, however, is assumed for inaccuracies.

EXAR Corporation does not recommend the use of any of its products in life support applications where the failure or malfunction of the product can reasonably be expected to cause failure of the life support system or to significantly affect its safety or effectiveness. Products are not authorized for use in such applications unless EXAR Corporation receives, in writing, assurances to its satisfaction that: (a) the risk of injury or damage has been minimized; (b) the user assumes all such risks; (c) potential liability of EXAR Corporation is adequately protected under the circumstances.

Copyright 1994 EXAR Corporation

Reproduction, in part or whole, without the prior written consent of EXAR Corporation is prohibited.

# Mouser Electronics

Authorized Distributor

Click to View Pricing, Inventory, Delivery & Lifecycle Information:

[Exar:](#)

[ST16C1550CQ48TR-F](#) [ST16C1550CJ28-F](#) [ST16C1550CJ28TR-F](#) [ST16C1550IQ48-F](#) [ST16C1550IJ28-F](#)  
[ST16C1550CQ48-F](#) [ST16C1550IJ28TR-F](#) [ST16C1550IQ48TR-F](#)