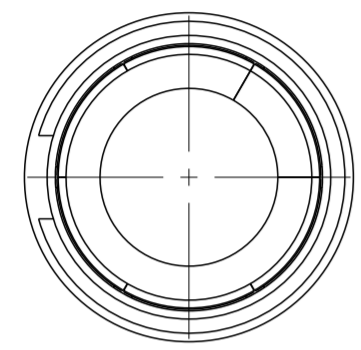


THIS DRAWING IS UNPUBLISHED. RELEASED FOR PUBLICATION 2006  
 © COPYRIGHT 2006 ALL RIGHTS RESERVED.

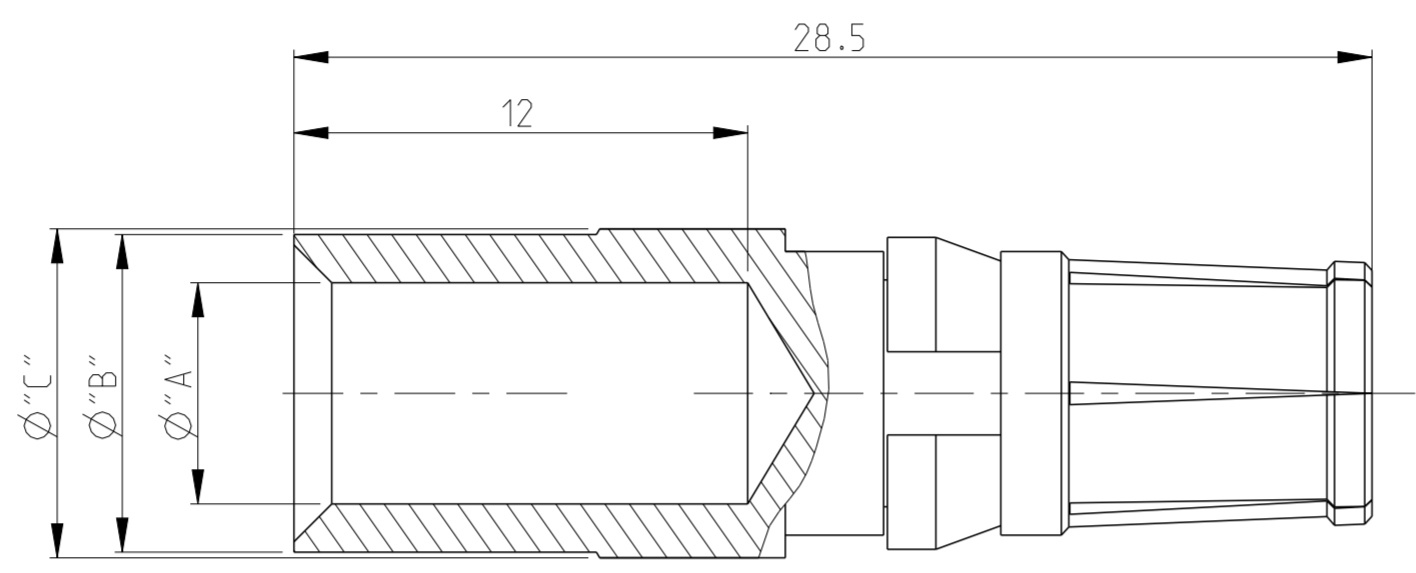
LOC	DIST	REVISIONS					
		P	LTR	DESCRIPTION	DATE	DWN	APVD
B1	-	C3		REVISED PER ECO-11-005150	31MAR2011	RK	HMR
		C4		ECR-11-021594	11NOV2011	RK	MKO
		C5		ECR-14-007793	25AUG2014	RK	MKO

Notes

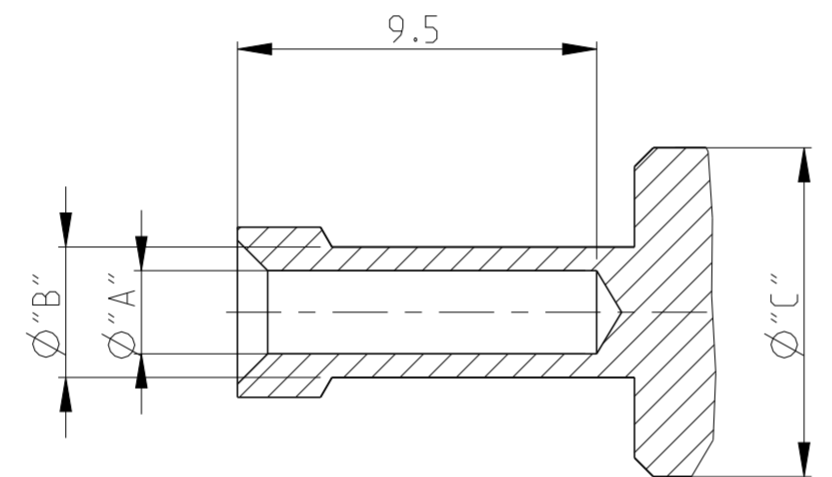
- 1 MATERIAL: BRASS
- 2 FINISH SILVER PLATING: 2 µm Ag MIN. OVER Cu
- 3 FINISH GOLD PLATING: 0.75 µm Au MIN. OVER Ni
- 4 WEIGHT (MAX.): 6.44 g, VOLUME (MAX.): 795mm<sup>3</sup> (APPROX.)
- 5 SUITABLE PIN CONTACT: CUSTOMER DRAWING 1105150
- 6 SUITABLE INSERTS: SERIES HSS, CUSTOMER DRAWING
- 7 SUITABLE CRIMP TOOL: PN 1-1105850-8
- 8 SUITABLE INSERTION TOOL: -
- 9 SUITABLE EXTRACTION TOOL: PN 0-1102855-5
- 10 FINE WIRE DIA. MAX. Ø4.5
- 11 STANDARDS: DIN EN 61984, DIN EN 60664-1
- 12 PACKAGING: 25 PIECES IN A POLY-BAG
- 13 PACKAGING: 1 PIECE LOOSE



WIRE CROSS-SECTION:  
 Ø6mm<sup>2</sup>- 16mm<sup>2</sup>



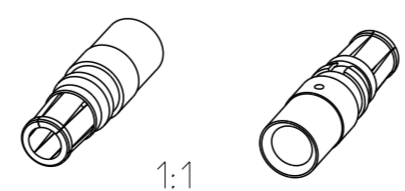
WIRE CROSS-SECTION:  
 Ø2.5mm<sup>2</sup>/ 4mm<sup>2</sup>



WIRE CROSS-SECTION	PLATING	GOLD	SILVER	DIMENSIONS			STRIPPING-LENGTH	WITH CLIP		
				[MM]	"A"	"B"			"C"	[MM]
HSS-C-Bu.Au.16.0 mm <sup>2</sup>				16.0	5.85	8.4	8.7	12	5-2	9-3
HSS-C-Bu.Au.10.0 mm <sup>2</sup>				10.0	4.35	5.9	8.7	12	4-2	9-2
HSS-C-Bu.Au.6.0 mm <sup>2</sup>				6.0	3.5	4.9	8.7	12	3-2	9-1
HSS-C-Bu.Ag.25.0 mm <sup>2</sup>				25.0	7.0	9.45	9.6	12	6-1	8-7
HSS-C-Bu.Ag.16.0 mm <sup>2</sup>				16.0	5.85	8.4	8.7	12	5-1	8-6
HSS-C-Bu.Ag.10.0 mm <sup>2</sup> -fine				10.0	4.6	5.9	8.7	12	4-3	8-5
HSS-C-Bu.Ag.10.0 mm <sup>2</sup>				10.0	4.35	5.9	8.7	12	4-1	8-4
HSS-C-Bu.Ag.6.0 mm <sup>2</sup>				6.0	3.5	4.9	8.7	12	3-1	8-3
HSS-C-Bu.Ag.4.0 mm <sup>2</sup>				4.0	2.8	3.9	8.7	12	2-1	8-2
HSS-C-Bu.Ag.2.5 mm <sup>2</sup>				2.5	2.2	3.45	8.7	12	1-1	8-1
				[MM]	"A"	"B"	"C"	[MM]	PN	PN
ORDERING TEXT	PLATING	CROSS SECTION	DIMENSIONS	STRIPPING-LENGTH	WITH CLIP					

PARTS LIST

THIS DRAWING IS A CONTROLLED DOCUMENT.		DWN K.SCHROEDER 10APR2008	TE Connectivity	
DIMENSIONS: mm		CHK H.BRAUN 10APR2008		
TOLERANCES UNLESS OTHERWISE SPECIFIED:		APVD T.SCHNURPFEL 10APR2008	NAME SOCKET CONTACT SERIES HSS	
0 PLC ±		PRODUCT SPEC 108-74016	SIZE A2	
1 PLC ±		APPLICATION SPEC 114-74028	CAGE CODE 00779	
2 PLC ±		WEIGHT -	DRAWING NO C-1105151	
3 PLC ±			RESTRICTED TO -	
4 PLC ±			SCALE 5:1	
ANGLES ±0.5°			SHEET 1 OF 1	
FINISH			REV C5	
MATERIAL		Customer Drawing		



1:1

# Mouser Electronics

Authorized Distributor

Click to View Pricing, Inventory, Delivery & Lifecycle Information:

[TE Connectivity:](#)

[6-1105151-1](#)