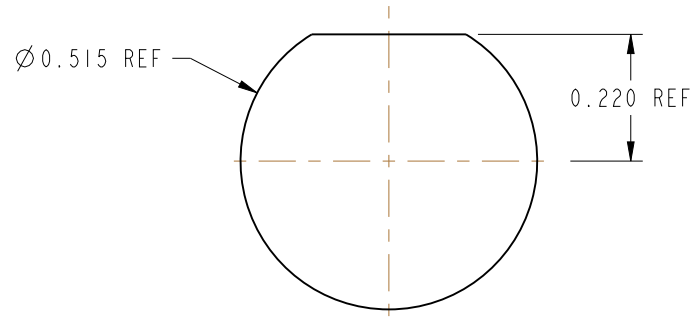


NOTES:

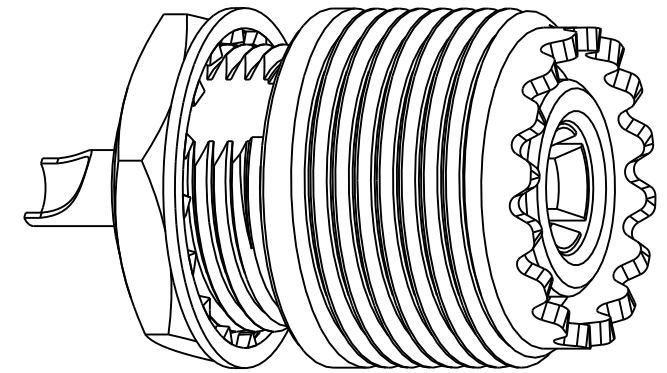
1. MATERIALS AND FINISHES:
 BODY - BRASS, NICKEL PLATING
 CONTACT - BRASS, SILVER PLATING
 INSULATOR - PTFE
2. ELECTRICAL:
 A. IMPEDANCE: 50 OHM
3. MECHANICAL:
 A. DURABILITY: 500 CYCLES MIN.
4. PACKAGING:
 A. QUANTITY: SINGLE PACK
 B. MARKING: BAG TO BE MARKED
 "AMPHENOLRF, 83-875-1002, AND DATE CODE"



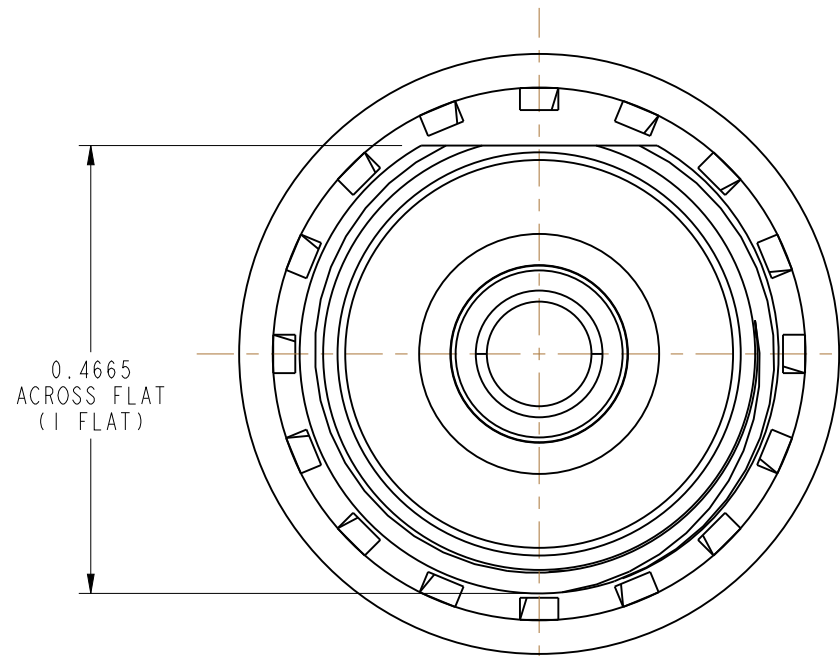
SCALE 3.000

RECOMMENDED MOUNTING HOLE DIMENSIONS

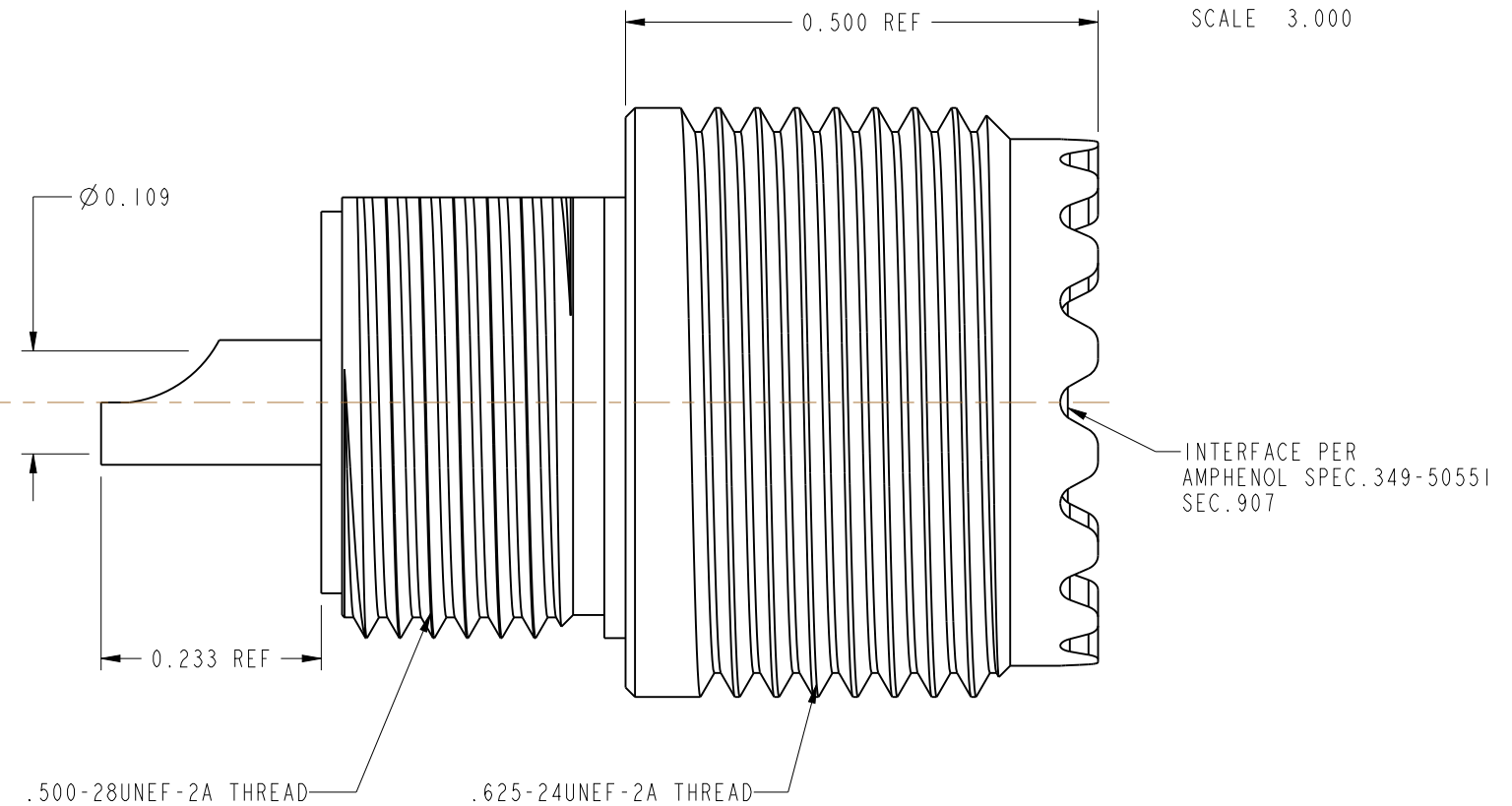
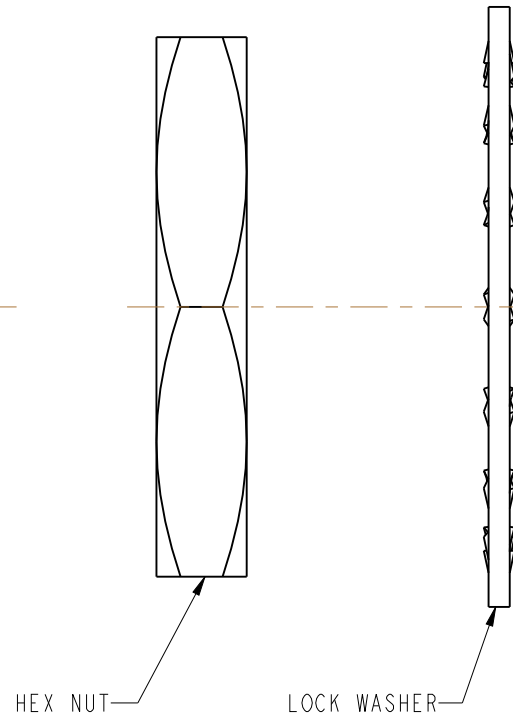
83-875-1002		REVISIONS			
DRAWING NO.	REV	DESCRIPTION	DATE	ECO	APPR
THIRD ANGLE PROJ.	⊕	---	-----	-----	-----
	L	REDRAWN IN PRO-E, ADD COD	5/24/11	47687	BM
	M	CHANGED LOCKWASHER	6/8/12	49118	CPM
	N	CORRECTED ECO#	12/17/12	49365	CPM



SCALE 3.000



VIEW DOES NOT SHOW LOCK WASHER AND HEX NUT



CUSTOMER OUTLINE DRAWING
 ALL OTHER SHEETS ARE FOR INTERNAL USE ONLY

UNLESS OTHERWISE SPECIFIED, DIMENSIONS ARE IN INCHES AND TOLERANCES ARE:
 2 PLACE DECIMAL ±.015 (0,381 mm)
 3 PLACE DECIMAL ±.005 (0,127 mm)
 ANGLES ± 1°

NOTICE - These drawings, specifications, or other data (1) are, and remain the property of Amphenol Corp. (2) must be returned upon request; and (3) are confidential and not to be disclosed to any person other than those to whom they are given by Amphenol Corp. The furnishing of these drawings, specifications, or other data by Amphenol Corp., or to any other person to anyone for any purpose is not to be regarded by implication or otherwise in any manner licensing, granting rights or permitting such holder or any other person to manufacture, use or sell any product, process or design, patented or otherwise, that may in any way be related to or disclosed by said drawings, specifications, or other data.

MATERIAL
 SEE NOTES

REFERENCE
 D.O.R 303680-51

DRAWN
 C. McGRATH
 DATE
 31-Jul-09

ENGINEER
 DATE
 6/3/66

APPROVED
 H. PARIKH
 DATE
 5/24/11

CAD FILE

TITLE

UHF RECEPTACLE

Amphenol RF
 Danbury, CT, USA
 Tainan, Taiwan
 Shenzhen, China
 www.amphenolrf.com

SCALE: 5.0:1 SHEET 2 OF 2

CODE ID	DWG SIZE	DRAWING NO.	REV
74868	B	83-875-1002	N