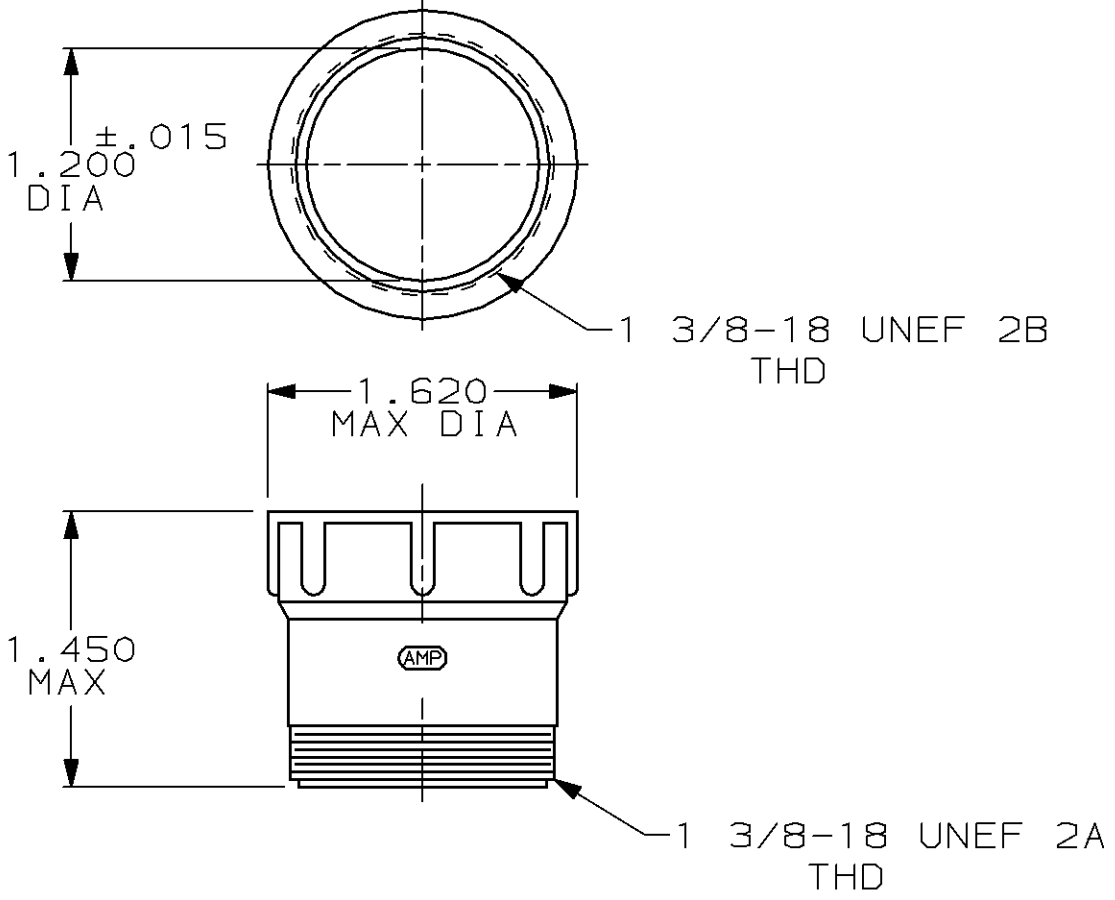


LOC	DIST	REVISIONS					
		P	LTR	DESCRIPTION	DATE	DWN	APVD
BD	35		B	REDRAWN	31 JUL 90	-	KB
			C	REVISE PER EC 0020-750-95	26 JUL 95	CR	RB



THIS DRAWING IS UNPUBLISHED. BY AMP INCORPORATED. ALL RIGHTS RESERVED. COPYRIGHT 19

207055-1  
PART NUMBER

DIMENSIONS: INCHES	DWN	S. RIDGLEY	31 JUL 90	MATERIAL	GLASS FILLED NYLON	FINISH	-
	CHK	R. STONE	26 APR 91	AMP Incorporated Harrisburg, PA 17105-3608			
TOLERANCES UNLESS OTHERWISE SPECIFIED:	APVD	K. BEAVER	30 APR 91				
0 PLC ±-	PRODUCT SPEC	NAME BACKSHELL EXTENDER, SIZE 23, CPC					
1 PLC ±-	APPLICATION SPEC	SIZE A4 CAGE CODE 00779 DRAWING NO C-207055					
2 PLC ±-	WEIGHT	SCALE 1:1 SHEET 1 OF 1 REV C					
3 PLC ±-	CUSTOMER DRAWING						
4 PLC ±-							
ANGLES ±-							

# Mouser Electronics

Authorized Distributor

Click to View Pricing, Inventory, Delivery & Lifecycle Information:

[TE Connectivity:](#)

[207055-1](#)