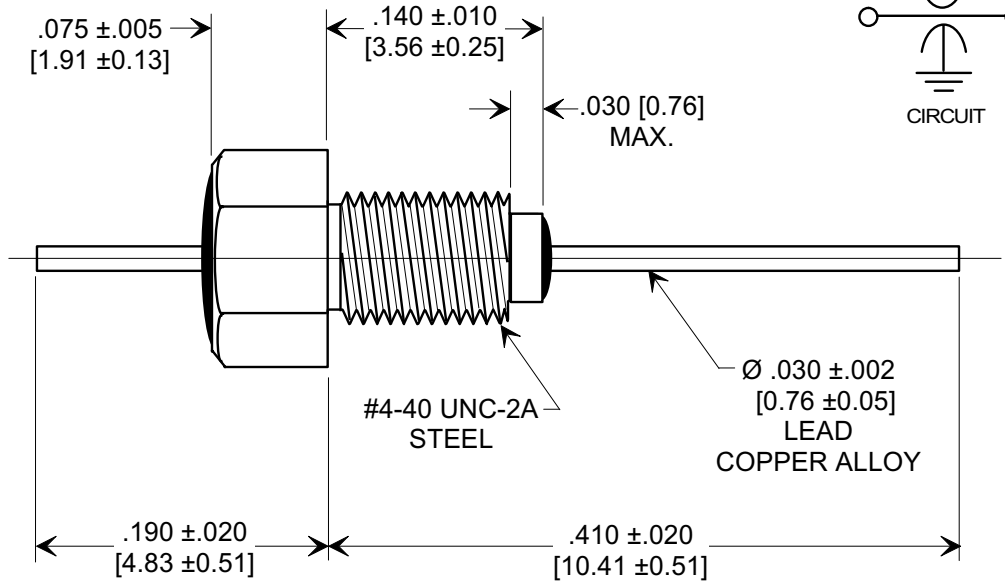
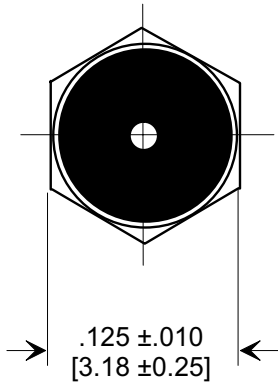
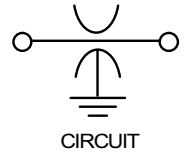
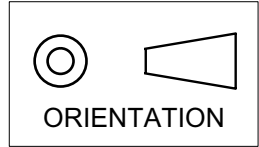


MARKETING SALES DRAWING

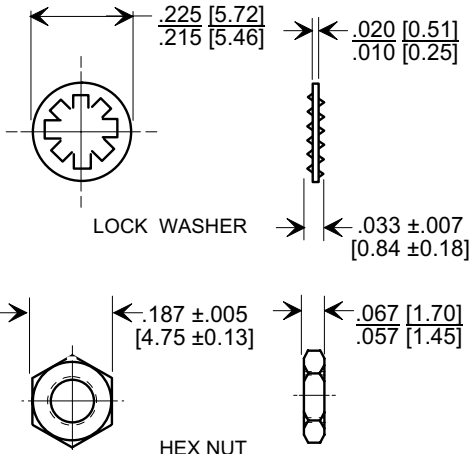
DIMENSIONS IN INCHES - DO NOT SCALE THIS DRAWING
DIMENSIONS IN METRIC - []

This drawing is the property of Tusonix, Inc., and may not be used, reproduced, published or disclosed to others without expressed authorization by Tusonix Inc.

Electrical Testing per Tusonix standard test plans and Mil-Std-202 Test Methods.



MOUNTING HARDWARE



NOTES:

1. OPERATING TEMPERATURE RANGE: -55°C TO +125°C.
2. SILVER PLATED CASE, LEAD AND MOUNTING HARDWARE.
3. MAX. RECOMMENDED MOUNTING TORQUE : 2.0 lb. - in.
4. MAX. RECOMMENDED SOLDERING TEMPERATURE : 260°C. SEE INSTALLATION RECOMMENDATIONS.
5. NUT AND LOCK WASHER INCLUDED.
6. TUSONIX STANDARD PART NUMBER: 4403-040. TUSONIX RoHS COMPLIANT PART NUMBER: 4403-040 LF. CUSTOMER MUST SPECIFY STANDARD OR RoHS PART NUMBER WHEN ORDERING.
7. PART MARKING: TRADEMARK AND VARIATION NUMBER ON HEX FLATS. STANDARD PART: BLACK INK. RoHS PART: GREEN INK.

27,000	GMV	70	50	10	10	28	42	65	65
CAP.(pf)	TOLERANCE	+85 °C	+125 °C	DC CURRENT (AMPS)	1 MHz	10 MHz	100 MHz	1 GHz	10 GHz
		DC WORKING VOLTAGE							

REVISION RECORD	0	Original Release C.O. 6965	1	2	3	--TOLERANCES-- Unless Otherwise Specified	Title	
	040 & -680 ADDED, DC WAS5. E.C. 11-20-92	MINI BUSHING STYLE EMI FILTER						
	7052	Drawn					S.M. 06-10-02	Scale 8 X
	RDN TO COMP FMT. S.M. 07-16-02	Approved					J.Mc. 06-10-02	
20020715-1-28	ADDED AND REVISED NOTES. S.M. 06-07-06		TUSONIX		A		4403-040	
20060605-7-02			TUCSON, ARIZONA					

Mouser Electronics

Authorized Distributor

Click to View Pricing, Inventory, Delivery & Lifecycle Information:

[Tusonix / CTS:](#)

[4403-040LF](#)