

Notes:

1. Material and Finish:

- Coupler Ring: Zinc Die-Cast, Nickel Plated
- Plug Housing: Zinc Die-Cast, Nickel Plated
- Cable Gland: Brass, Nickel Plated
- Cable Gland Rubber Ring: NBR, Color: Black
- Cable Fitting: PA (Black), UL94 V-0
- Interfacial Seal: Silicone, Color: White

(f) Duplex LC Connector

- Housing: PEI , UL94 V-0,

(e) Color: **SM Blue/MM Beige/APC SM Green**

- Inner Sub Assembly: Zirconia, Metal and PTFE
- Crimp Barrel: Brass, Nickel Plated
- Ferrule: Brass, Nickel Plated
- Dust Cap: PC, Color: White

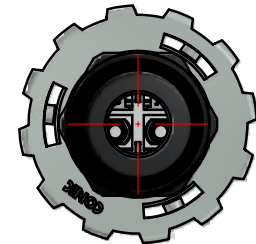
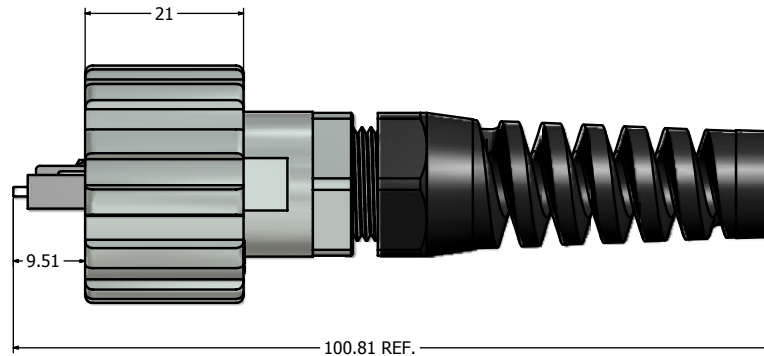
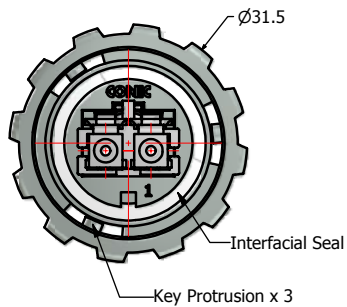
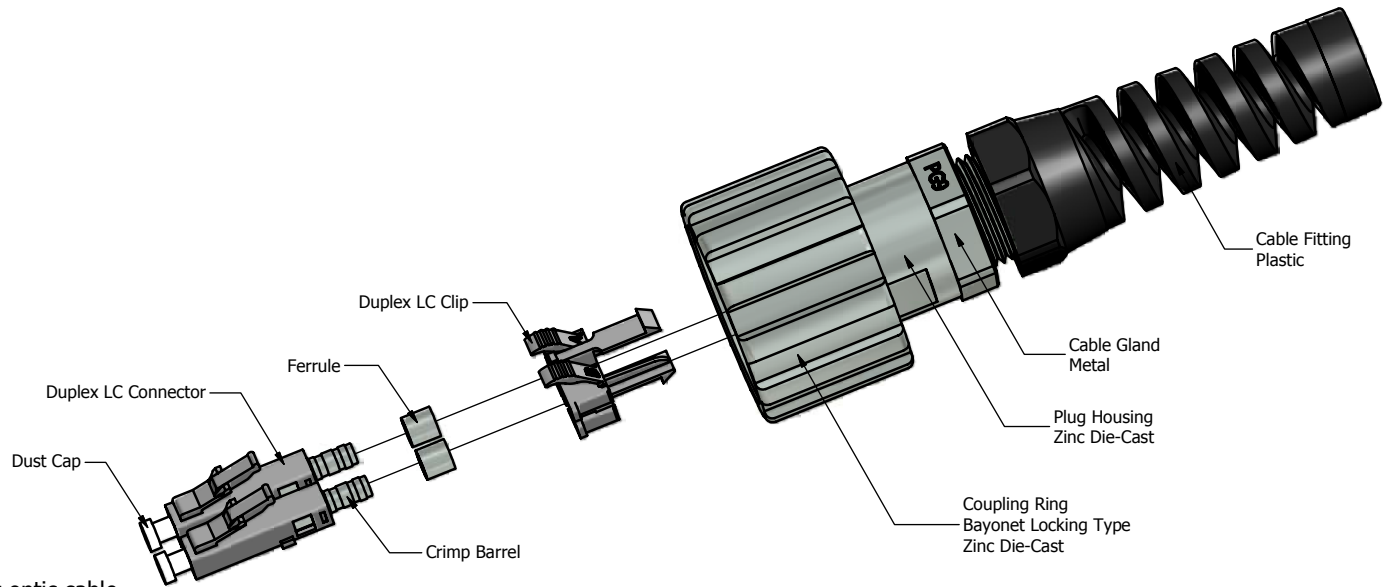
(c) Duplex LC Clip: PC, Color: Black

- Operating Temperature: -40°C to +85°C

2. IP67 rated when covered or fully mated with the appropriate mating connector

(d) 3. Accept 4.5mm to 8.0mm outside diameter fiber optic cable

4. RoHS compliant



| Description | Part Number |
|------------------------------|-------------|
| Single Mode (SM) | 17-300080 |
| Multi Mode (MM) | 17-300090 |
| (e) APC Single Mode (APC SM) | 17-300120 |

Directive 2002/95/EC RoHS Compliant

| | | | | | | | | | |
|--|-----------|--------------|---------------|---|-------------|------------|---|---------------------|-----------|
| THIS DRAWING MAY NOT BE COPIED, OR REPRODUCED IN ANY WAY AND MAY NOT BE PASSED ON TO A THIRD PARTY WITHOUT WRITTEN PERMISSION. OWNERSHIP AND COPYRIGHT OF CONEC CORPORATION. DO NOT ALTER CAD DRAWING BY HAND | Customer: | | | Tolerance Unless otherwise specified | | | Scale: | Dim. in mm | |
| | Name | Title | Approval Date | 0 PLC ±0.30 | 1 PLC ±0.20 | | Autodesk Inventor | Material: See Notes | |
| | | | | 2 PLC ±0.10 | 3 PLC ±0.05 | | Title: IP67 Industrial Duplex LC Plug Kit | | |
| | f | July/12/2011 | Vincent Ke | Draw. | Jun. 03 | Vincent Ke | Nickel Plated Zinc Die-Cast Version | | |
| | e | Nov/22/2010 | Vincent Ke | Appd. | Jun. 03 | J. Chaudry | | | |
| | d | Nov/04/2010 | Vincent ke | Norm | | | | | |
| | c | Jul/19/2010 | Vincent ke | D-old | | | | | |
| | b | Jun/18/2010 | Vincent ke | | | | | | |
| | a | original | | | | | Drawing No.: 17K1A172 | | DIN A3 |
| | Rev. | Changes | Date | Name | | | Part No.: SEE PART NUMBER TABLE | | Sheet 1/1 |

Mouser Electronics

Authorized Distributor

Click to View Pricing, Inventory, Delivery & Lifecycle Information:

[CONEC:](#)

[17-300080](#) [17-300090](#) [17-300120](#)