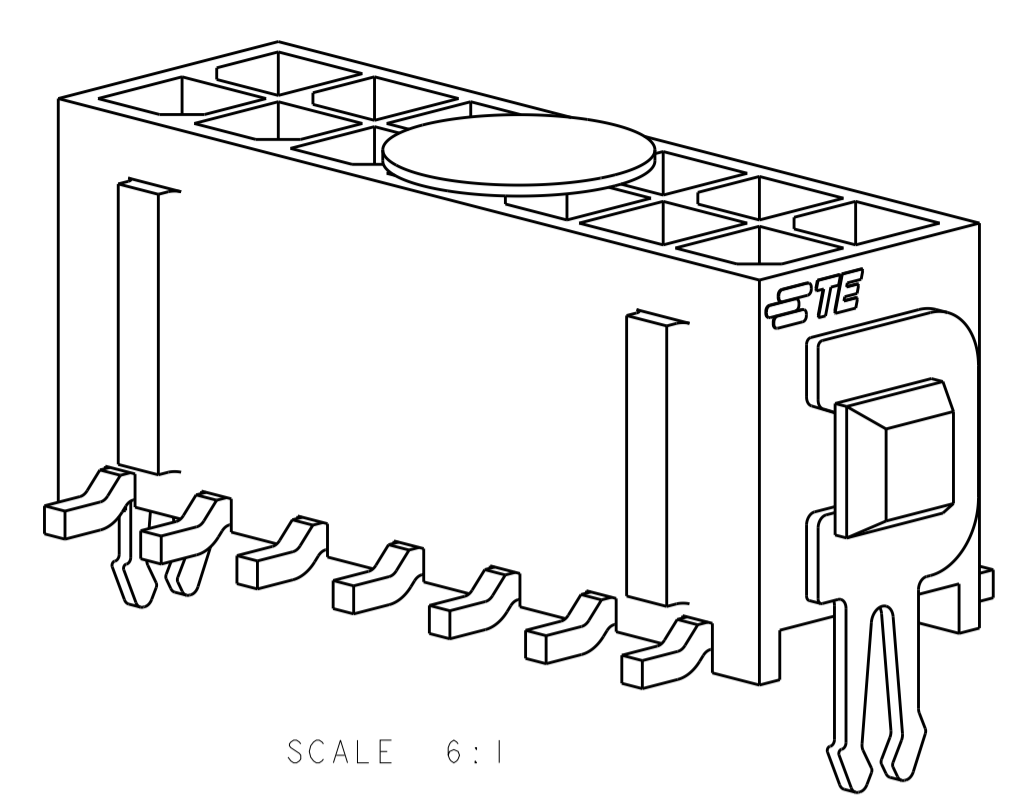
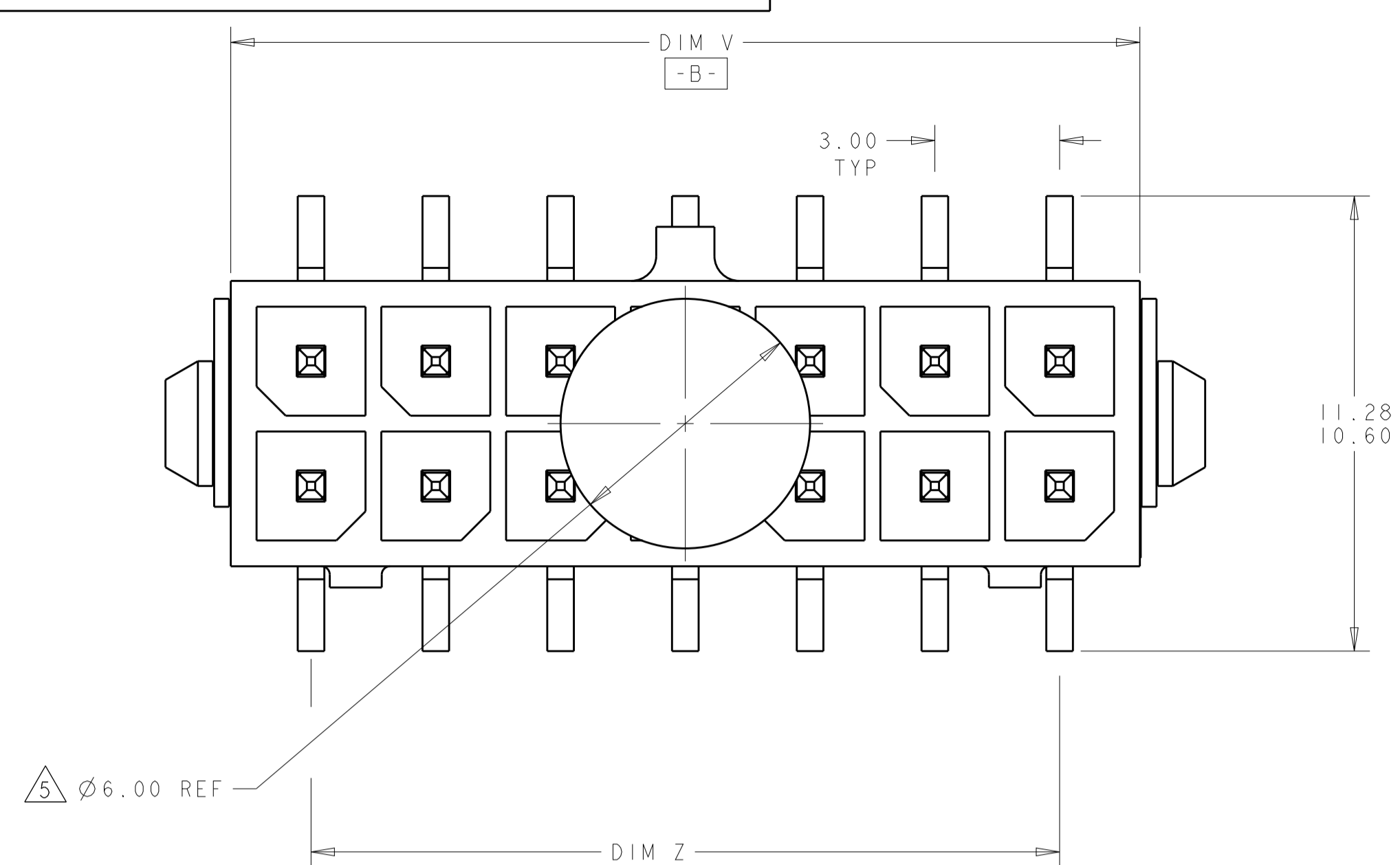
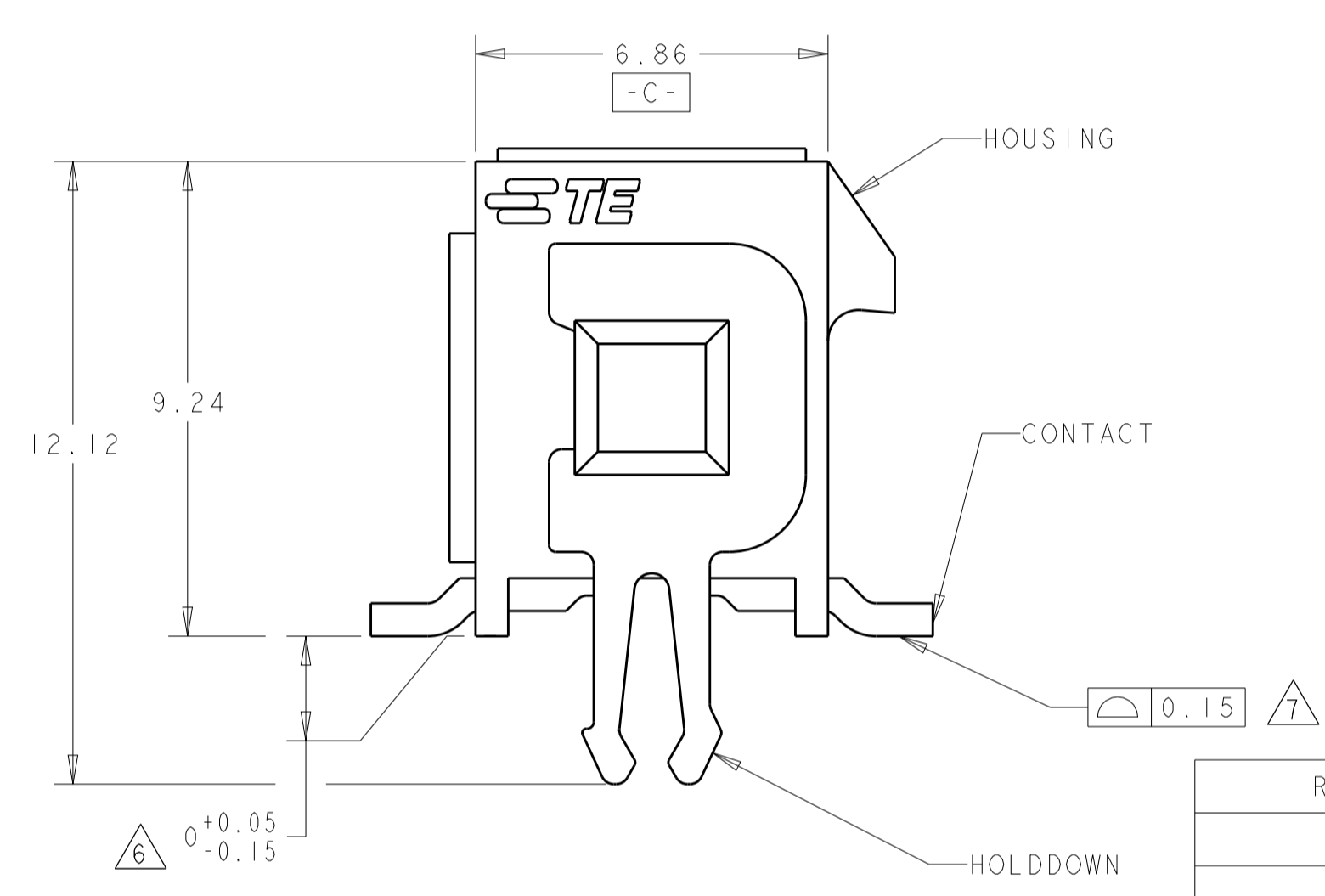
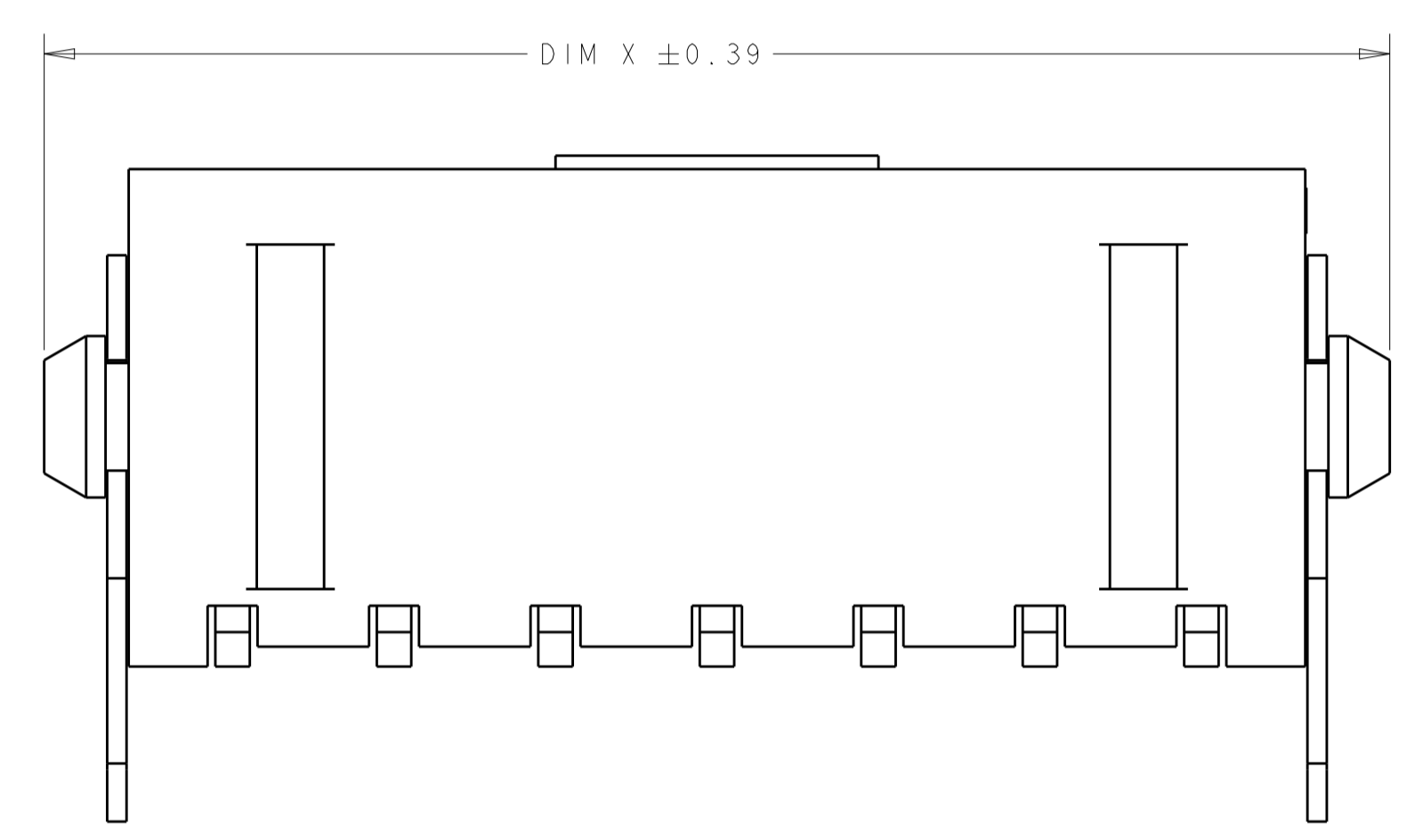


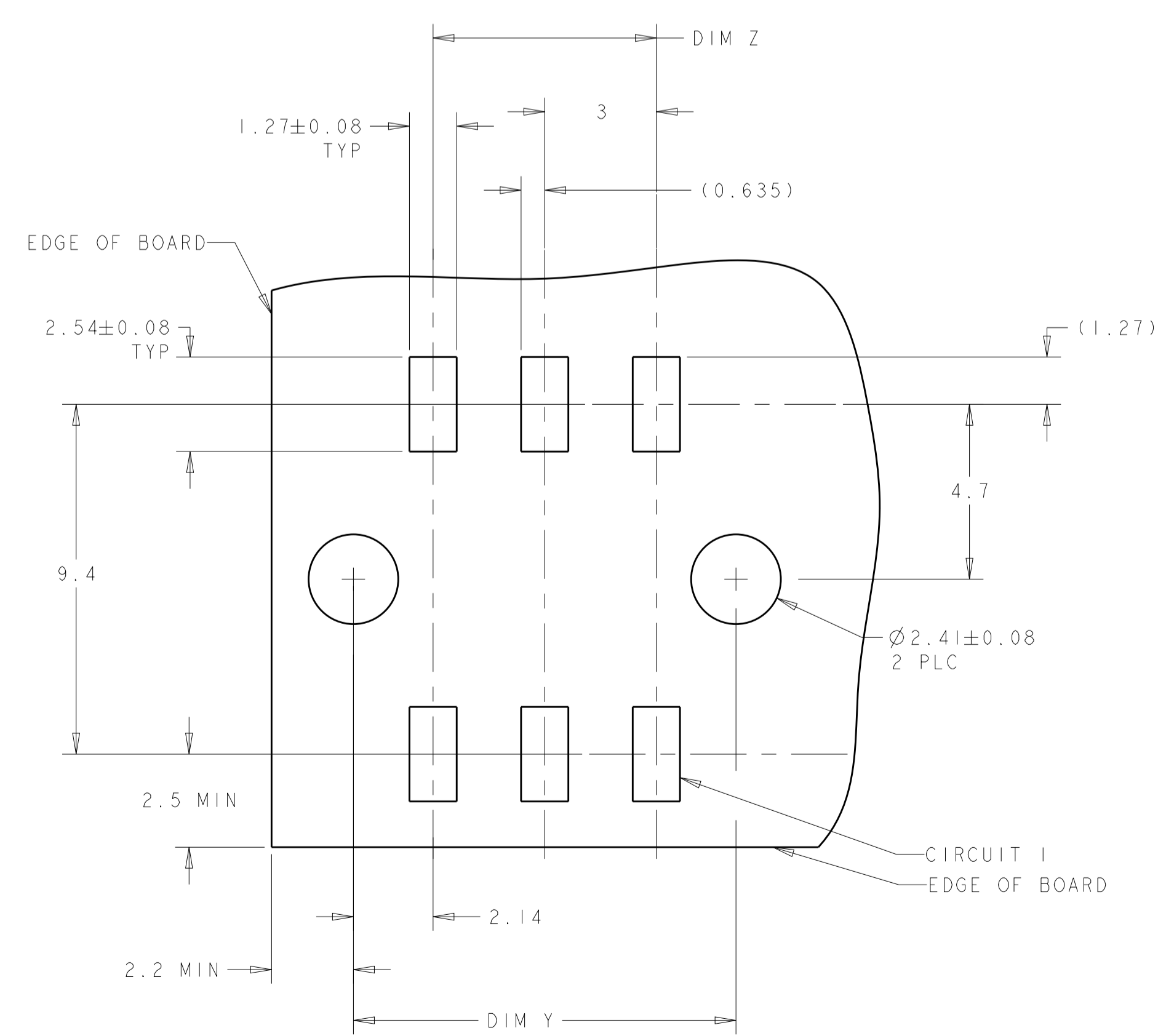
REVISIONS				
P.	LTN	DESCRIPTION	DATE	APVD
	K2	REVISED PER ECR-17-017609	04DEC2017	JB DZ



- 1 MATERIAL:
CONTACTS - BRASS.
HOUSING - UL 94V-0 RATED HIGH TEMP NYLON, COLOR; BLACK.
HOLDDOWNS - PHOSPHOR BRONZE.
- 2 PLATING:
CONTACTS - 0.76µm MINIMUM GOLD OVER 2.54µm MINIMUM NICKEL
ON MATING AREA. 2.54µm TIN-LEAD MINIMUM OVER 2.54µm MINIMUM
ON SOLDER TAILS.
HOLDDOWNS - 2.54µm TIN-LEAD.
- 4 RECOMMENDED PC BOARD THICKNESS OF 1.57.
- 5 KAPTON VACUUM PICK UP BUTTON.
- 6 DIMENSION APPLIES TO SOLDERTAIL SURFACES
AND STANDOFF SURFACES.
- 7 ALL SOLDERTAILS.
- 8 PLATING:
CONTACTS - 0.76µm MINIMUM GOLD OVER 2.54µm MINIMUM NICKEL
ON MATING AREA. 2.54µm MATTE TIN MINIMUM OVER 2.54µm MINIMUM
ON SOLDER TAILS.
HOLDDOWNS - 2.54µm MATTE TIN.



UNREEL DIRECTION
OF REVERSE TAPED



PACKAGING	FINISH	DIM V	DIM Y	DIM Z	DIM X	NO. OF POSN.	PART NUMBER	
REVERSE TAPED	8	21.86	22.30	18.00	25.00	14	7-794635-4	
TAPED	8	36.86	37.30	33.00	40.00	24	5-794635-4	
TAPED	8	33.86	34.30	30.00	37.00	22	5-794635-2	
TAPED	8	30.86	31.30	27.00	34.00	20	5-794635-0	
TAPED	8	27.86	28.30	24.00	31.00	18	4-794635-8	
TAPED	8	24.86	25.30	21.00	28.00	16	4-794635-6	
TAPED	8	21.86	22.30	18.00	25.00	14	4-794635-4	
TAPED	8	18.86	19.30	15.00	22.00	12	4-794635-2	
TAPED	8	15.86	16.30	12.00	19.00	10	4-794635-0	
TAPED	8	12.86	13.30	9.00	16.00	8	3-794635-8	
TAPED	8	9.86	10.30	6.00	13.00	6	3-794635-6	
TAPED	8	6.86	7.30	3.00	10.00	4	3-794635-4	
LOOSE PIECE	8	3.86	4.30	-	7.00	2	3-794635-2	
SUPERSEDED BY 5-794635-4	TAPED	2	36.86	37.30	33.00	40.00	24	5-794635-4
SUPERSEDED BY 5-794635-2	TAPED	2	33.86	34.30	30.00	37.00	22	5-794635-2
SUPERSEDED BY 5-794635-0	TAPED	2	30.86	31.30	27.00	34.00	20	5-794635-0
SUPERSEDED BY 4-794635-8	TAPED	2	27.86	28.30	24.00	31.00	18	4-794635-8
SUPERSEDED BY 4-794635-6	TAPED	2	24.86	25.30	21.00	28.00	16	4-794635-6
SUPERSEDED BY 4-794635-4	TAPED	2	21.86	22.30	18.00	25.00	14	4-794635-4
SUPERSEDED BY 4-794635-2	TAPED	2	18.86	19.30	15.00	22.00	12	4-794635-2
SUPERSEDED BY 4-794635-0	TAPED	2	15.86	16.30	12.00	19.00	10	4-794635-0
SUPERSEDED BY 3-794635-8	TAPED	2	12.86	13.30	9.00	16.00	8	3-794635-8
SUPERSEDED BY 3-794635-6	TAPED	2	9.86	10.30	6.00	13.00	6	3-794635-6
SUPERSEDED BY 3-794635-4	TAPED	2	6.86	7.30	3.00	10.00	4	3-794635-4
SUPERSEDED BY 3-794635-2	LOOSE PIECE	2	3.86	4.30	-	7.00	2	3-794635-2

THIS DRAWING IS A CONTROLLED DOCUMENT. DWN: H. WHITAKER 9-MAR-2003
 CHK: C. JONES 19-MAR-2003
 DIMENSIONS: mm TOLERANCES UNLESS OTHERWISE SPECIFIED: 0 PLC ±, 1 PLC ±, 2 PLC ±0.13, 3 PLC ±, 4 PLC ±, ANGLES °

MATERIAL: SEE TABLE FINISH: SEE TABLE WEIGHT: CUSTOMER DRAWING

APVD: C. JONES 19-MAR-2003
 PRODUCT SPEC: SURFACE MOUNT, VERTICAL, MECHANICAL
 APPLICATION SPEC: HOLDDOWN, ASSEMBLY, 30 GOLD HEADER, DUAL ROW, MICRO MATE-N-LOK(TM)

SIZE: A1 100779C=794635 SHEET 1 OF 1 REV: K2

Mouser Electronics

Authorized Distributor

Click to View Pricing, Inventory, Delivery & Lifecycle Information:

[TE Connectivity:](#)

[4-794635-6](#)