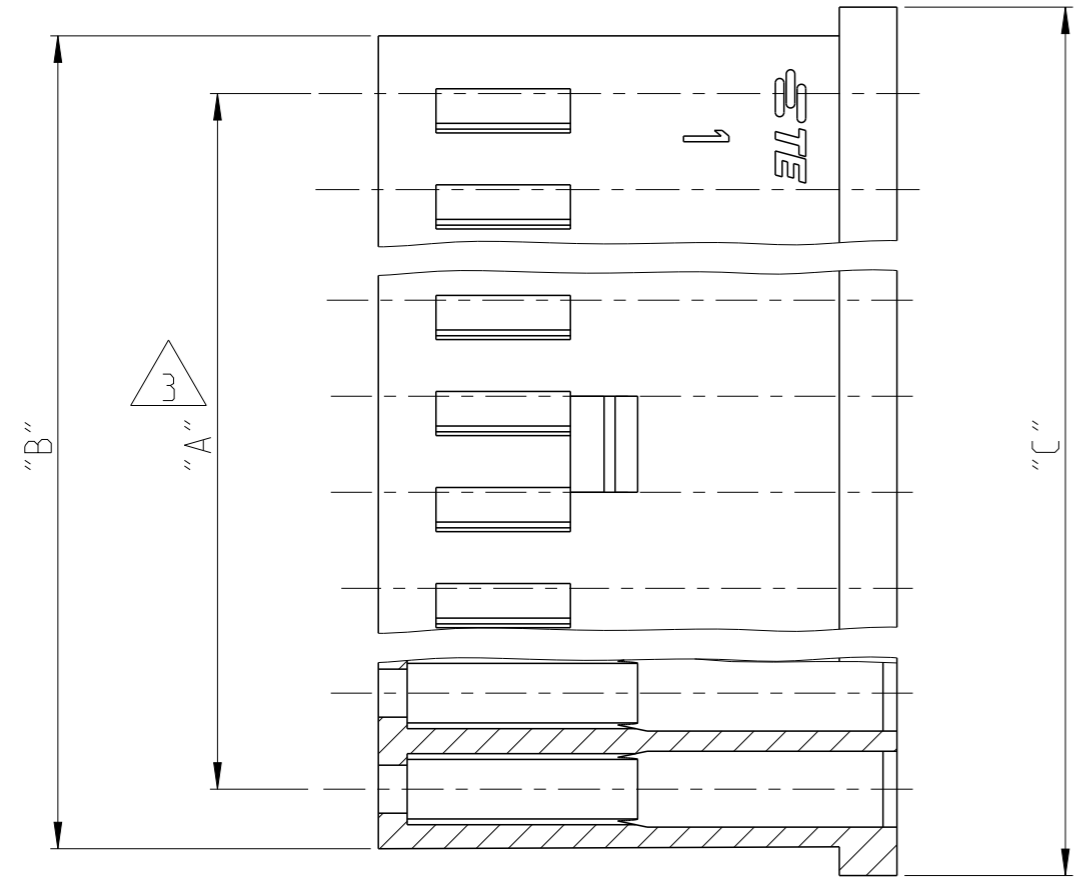
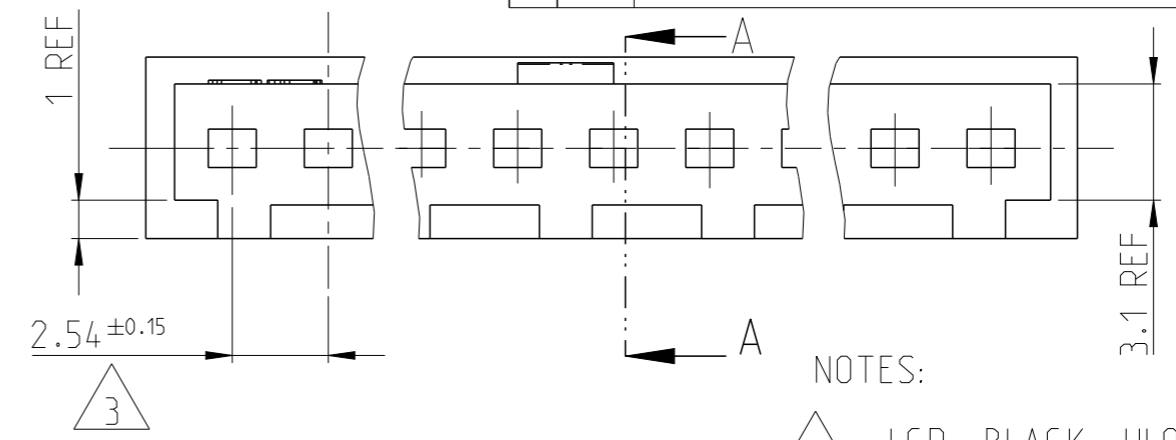
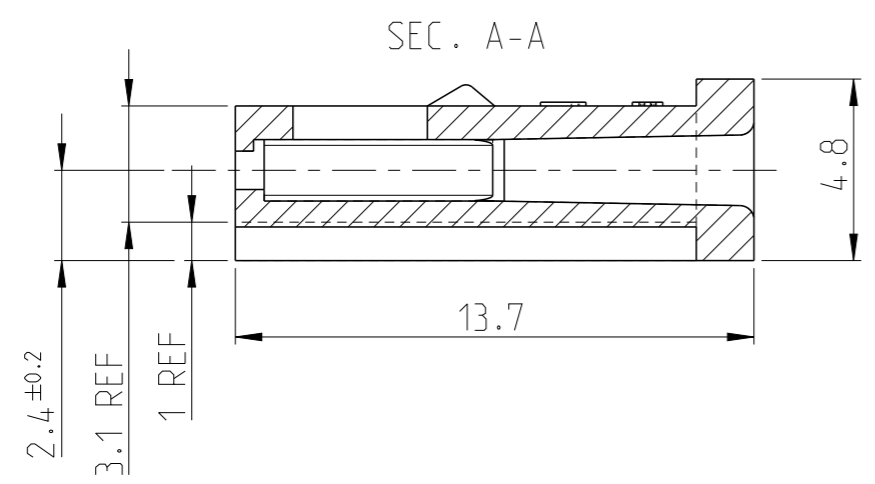


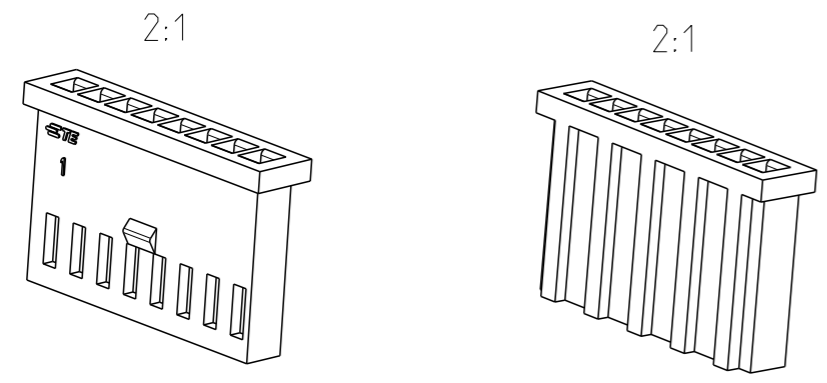
THIS DRAWING IS UNPUBLISHED. RELEASED FOR PUBLICATION 20
© COPYRIGHT 20 BY - ALL RIGHTS RESERVED.

REVISIONS					
P	LTR	DESCRIPTION	DATE	DWN	APVD
	Z	MATERIAL CHANGE TO LCP	15OCT2018	KJK	PS



- NOTES:
- 1 LCP, BLACK, UL94V-0
 - 2 NORYL SE-1 RED COLOUR
 - 3 NON CUMULATIVE TOLERANCE
 - 4 PERMITTED FLASH 0.25mm MAX

OBSOLETE	4	1-280359-0	7.62	10.6	12.2	2
	2	1-280358-0	2.54	5.6	7.1	
	22	280364	53.34	56.4	57.9	1
	15	280363	35.56	38.6	40.1	
	12	280514	27.94	31.0	32.5	
	10	280362	22.86	25.9	27.4	
	9	280512	20.32	23.3	24.9	
	8	280361	17.78	20.8	22.3	
	6	280360	12.70	15.7	17.3	
	4	280359	7.62	10.6	12.2	
	2	280358	2.54	5.6	7.1	
NUM OF POS.		PART NUMBER	DIM "A"	DIM "B"	DIM "C"	MATERIAL (SEE NOTE)



THIS DRAWING IS A CONTROLLED DOCUMENT.

DWN: KARTHIK, 20MAR2018
CHK: SHARATH S, 15OCT2018
APVD: PRASHANTH S, 15OCT2018

NAME: AMPMODU II REC. HSG SINGLE ROW, CRIMP ON- SNAP IN

PRODUCT SPEC: 108-20025
APPLICATION SPEC: 114-20004
WEIGHT: -

STC TE Connectivity

SIZE: A3, CAGE CODE: 00779, DRAWING NO: C-280358, RESTRICTED TO: -

CUSTOMER DRAWING, SCALE: 5:1, SHEET: 1 OF 1, REV: Z

Mouser Electronics

Authorized Distributor

Click to View Pricing, Inventory, Delivery & Lifecycle Information:

[TE Connectivity:](#)

[280358](#)