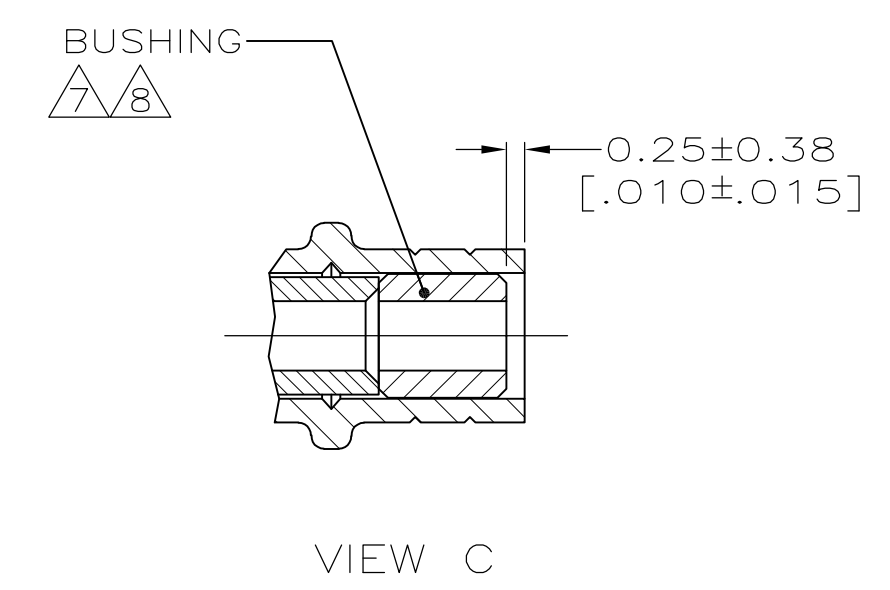
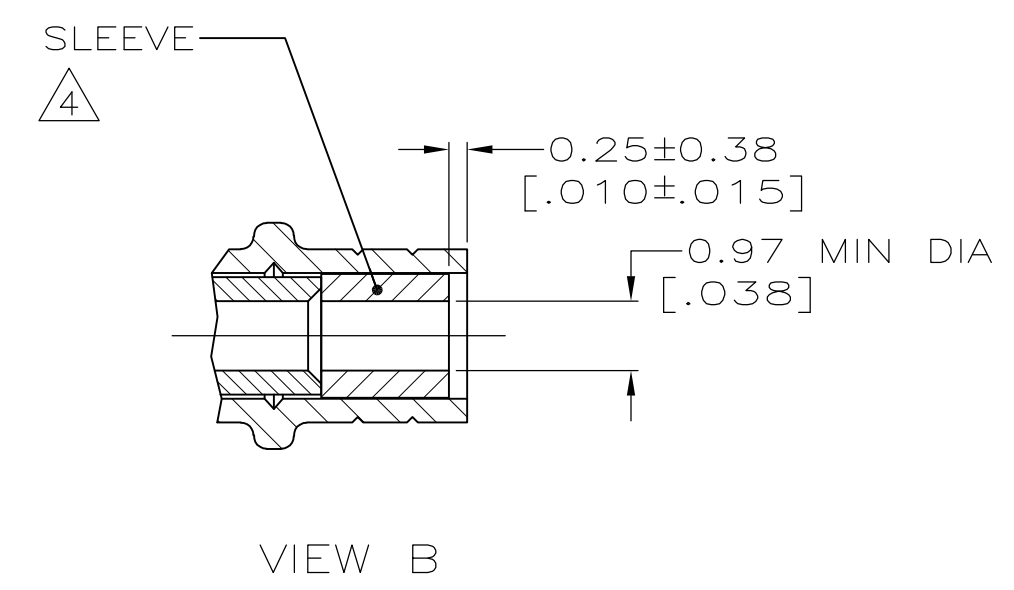
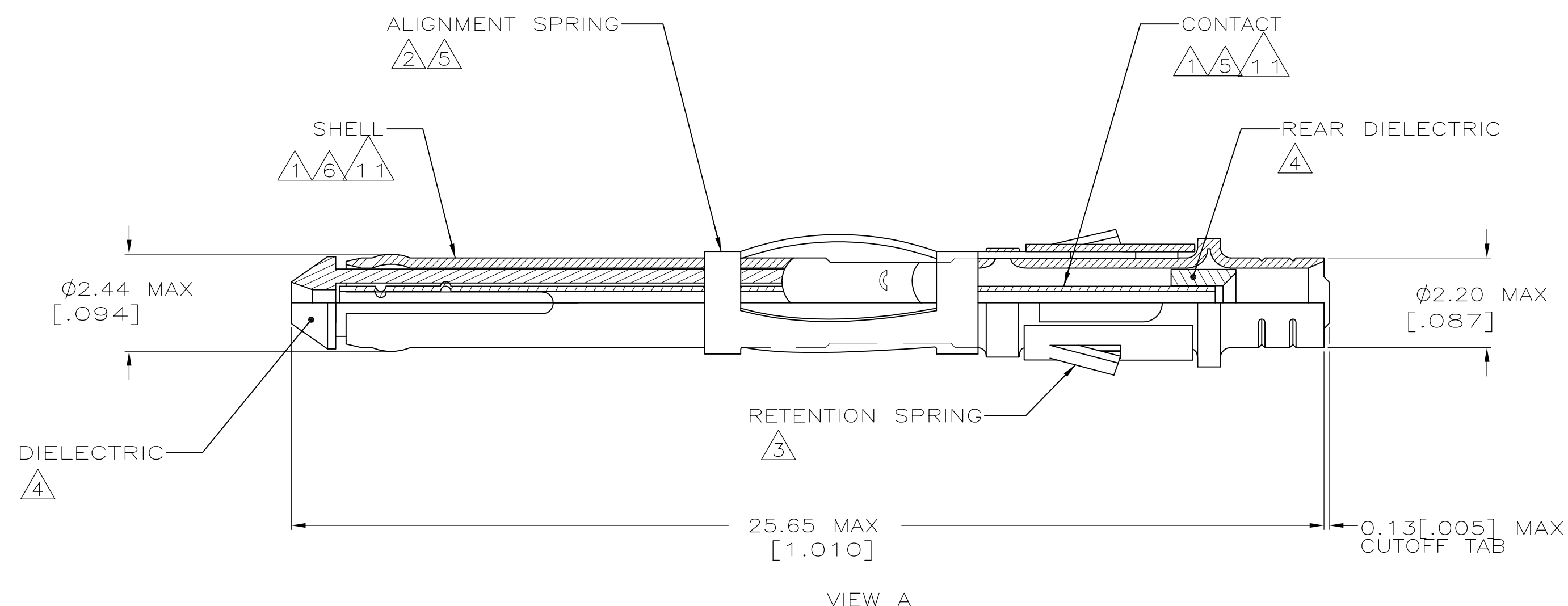


LOC	DIST	REVISIONS					
AJ	16	P	LTR	DESCRIPTION	DATE	DWN	APVD
		N1		REVISED PER ECO-11-005030	11MAR11	RK	HMR



- ① GOLD PL PER MIL-G-45204,.000030 ON MATING SURFACES, FLASH ON REMAINDER
- ② NICKEL PL PER QQ-N-290
- ③ STAINLESS STEEL PER QQ-S-766
- ④ POLYPROPYLENE OR POLYMETHYLPENTENE GENERAL PURPOSE
- ⑤ BERYLLIUM COPPER PER QQ-C-533
- ⑥ BRASS PER MIL-C-50
- ⑦ BRASS PER ASTM-B-135
- ⑧ TIN PL PER MIL-T-10727
- 9. WEIGHT: .016 OZ
- 10. FOR CABLE SELECTION, FERRULE AND HANDTOOL PART NUMBERS, SEE I.S. 2024-2
- ①① GOLD PL PER MIL-G-45204,.000050 ON MATING SURFACES, FLASH ON REMAINDER

OBSOLETE	A	①②	③④⑤⑥	226537-7
OBSOLETE	C	①②⑧	③④⑤⑥⑦	226537-6
OBSOLETE	B	①②	③④⑤⑥	226537-5
	A	①②	③④⑤⑥	226537-4
	C	①②⑧	③④⑤⑥⑦	226537-3
	B	①②	③④⑤⑥	226537-2
	A	①②	③④⑤⑥	226537-1
	VIEW	FINISH	MATERIAL	PART NUMBER

THIS DRAWING IS A CONTROLLED DOCUMENT.

DIMENSIONS: mm [INCHES]	TOLERANCES UNLESS OTHERWISE SPECIFIED: 0 PLC ± - 2 PLC ± - 3 PLC ± - 4 PLC ± - ANGLES ± -	DWN S.D.KOHL 7-23-91 CHK B.WERNER 8-1-91 APVD D.DOYF 8-1-91	NAME PIN ASSY, SERIES SUBMINIATURE
MATERIAL SEE TABLE	FINISH SEE TABLE	SIZE A1	CAGE CODE 00779
CUSTOMER DRAWING		SCALE 10:1	SHEET 1 OF 1

STE TE Connectivity

Mouser Electronics

Authorized Distributor

Click to View Pricing, Inventory, Delivery & Lifecycle Information:

[TE Connectivity:](#)

[226537-1](#)