

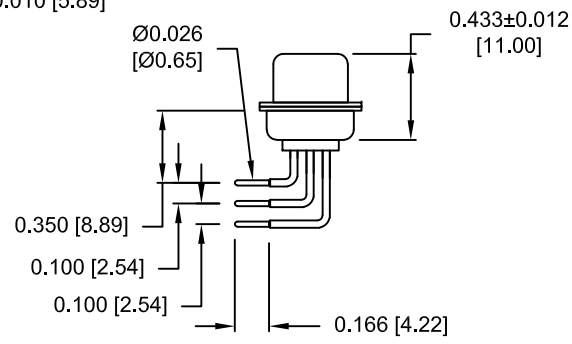
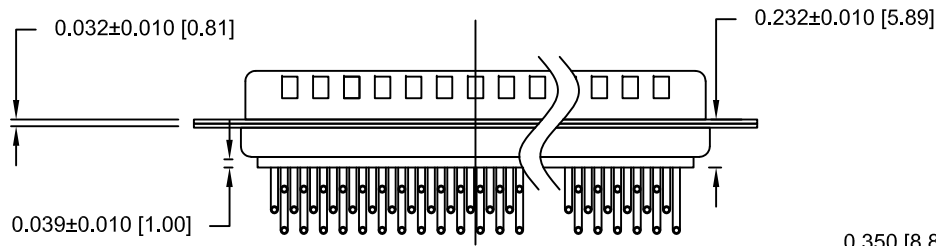
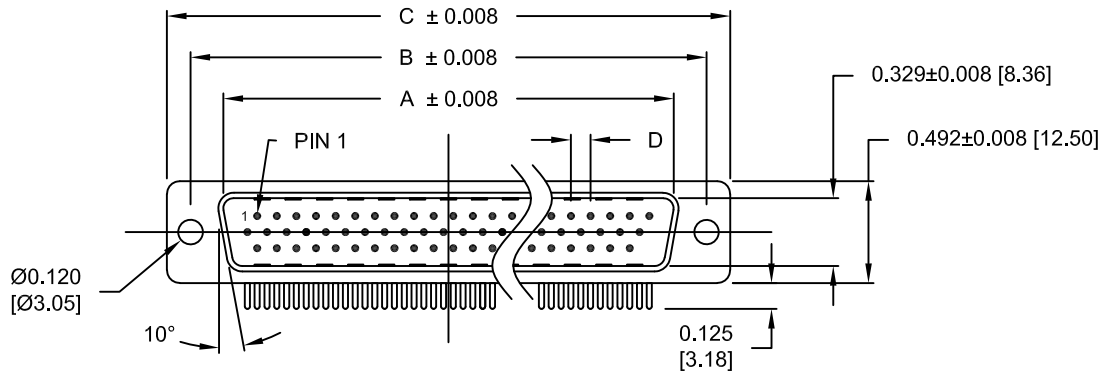
DESCRIPTION: HIGH DENSITY - MACHINED CONTACTS - RIGHT ANGLE

MATERIALS AND FINISH:

SHELL: STEEL MATERIAL, NICKEL FINISH
 INSULATOR: (SEE CHART) =260°C,
 UL 94V-0 RATED, BLACK
 CONTACT MATERIAL: BRASS
 CONTACT FINISH: SELECTIVE GOLD FINISHED

ELECTRICAL:

CONTACT CURRENT RATING: 5 AMPS
 CONTACT RESISTANCE: 10 mOHMS Max.
 DIELECTRIC WITHSTANDING VOLTAGE: 1,000VAC Min.
 INSULATION RESISTANCE: 5 GOHMS Min.
 TEMPERATURE RATING: -55° ~ +125° C



181-MYY-1YYRYYY

SERIES _____
 MACHINED CONTACTS _____
 POSITIONS _____
 15 _____
 26 _____
 44 _____
 62 _____
 GENDER _____
 1 = MALE _____
 TERMINATION _____
 1 = RIGHT ANGLE _____
 SHELL PLATING _____
 3 = NICKEL _____
 RoHS COMPLIANT _____
 HARDWARE OPTIONS _____
 14 = BRACKET WITH #4-40 INSERT, BOARD LOCK AND LOCATOR PLATE
 46 = BRACKET WITH #4-40 SCREW LOCK, BOARD LOCK AND LOCATOR PLATE
 PLATING OPTIONS _____
 1 = GOLD FLASH, ENTIRE CONTACT
 2 = 30u" GOLD, ENTIRE CONTACT
 3 = 50u" GOLD, ENTIRE CONTACT

DIMENSIONS (IN.)

No. OF PINS	A	B	C	D	Insulator Material
15	0.665	0.984	1.213	0.090	PA9T
26	0.994	1.311	1.543	0.090	PA9T
44	1.534	1.852	2.088	0.090	PA9T
62	2.181	2.500	2.732	0.095	PA6T

DIMENSIONS (mm)

No. OF PINS	A	B	C	D	Insulator Material
15	16.90	25.00	30.80	2.29	PA9T
26	25.25	33.30	39.20	2.29	PA9T
44	38.95	47.05	53.05	2.29	PA9T
62	55.40	63.50	69.40	2.41	PA6T

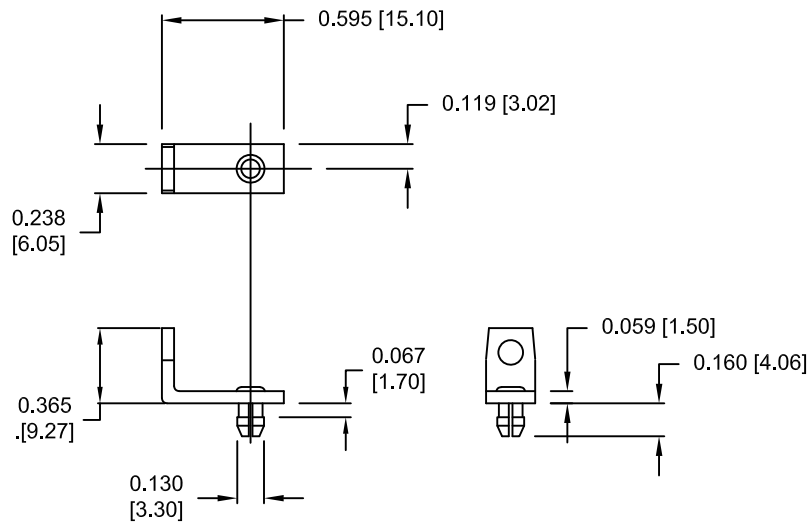
RoHS COMPLIANT

UNITS = INCHES [mm]

DO NOT SCALE FROM DRAWING

	THESE DRAWINGS AND SPECIFICATIONS ARE THE PROPERTY OF NorComp AND SHALL NOT BE REPRODUCED, COPIED OR USED AS THE BASIS FOR THE MANUFACTURE OF SALE OF APPARATUS WITHOUT WRITTEN PERMISSION.		DRAWN: C. SMITH	DATE: 03-16-07
	<h1>NorComp</h1>		SCALE: NTS	SHEET 1 OF 4
DWG NO. 181-MYY-1YYRYYY				

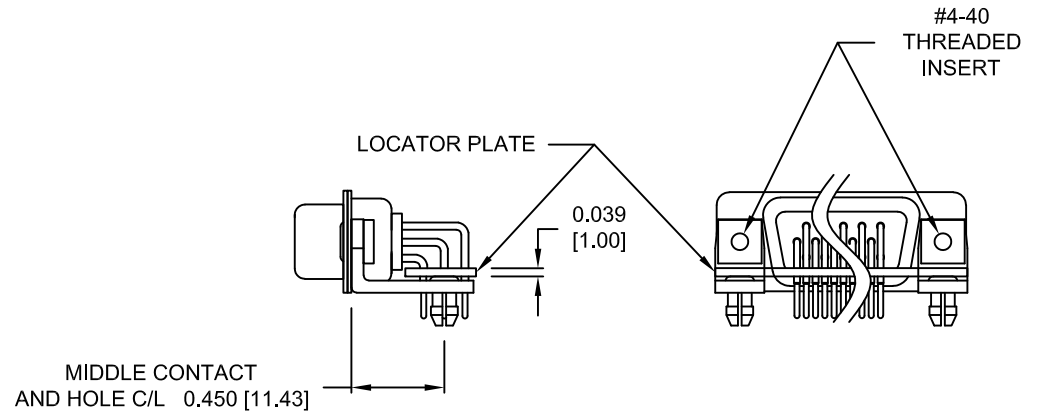
DESCRIPTION: HIGH DENSITY - MACHINED CONTACTS - RIGHT ANGLE



MOUNTING BRACKET WITH BOARD LOCK

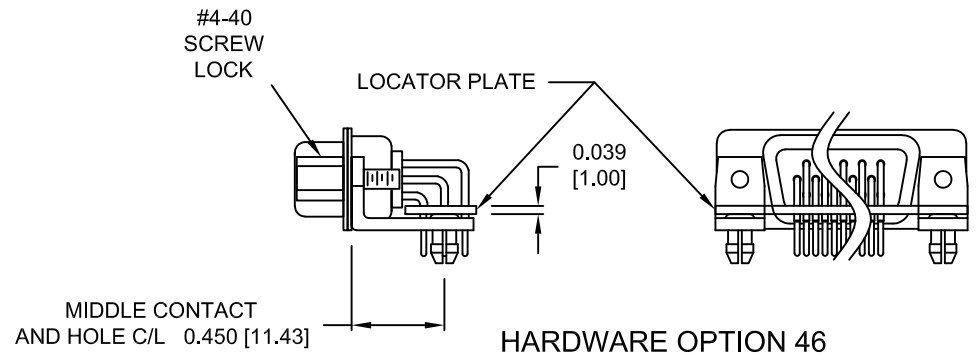
MATERIAL: COLD ROLLED STEEL

PLATING: CLEAR ZINC



HARDWARE OPTION 14

BRACKETS MOUNTED ON CONNECTOR WITH LOCATOR PLATE



HARDWARE OPTION 46

FOR CLARITY HIDDEN LINES NOT SHOWN

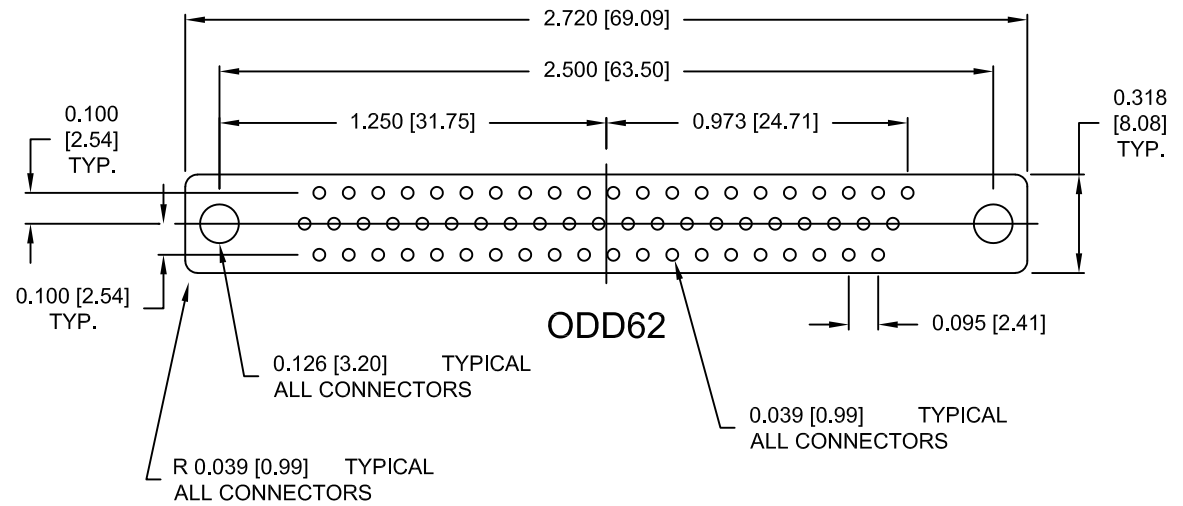
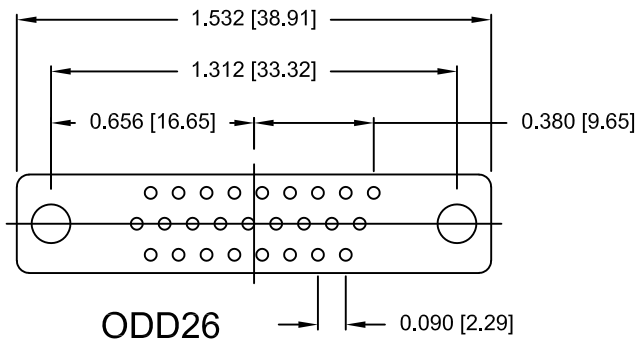
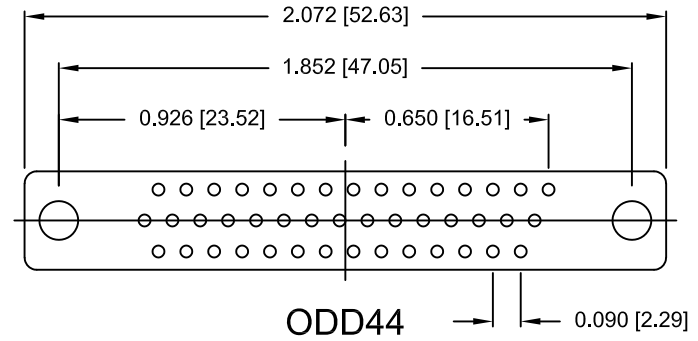
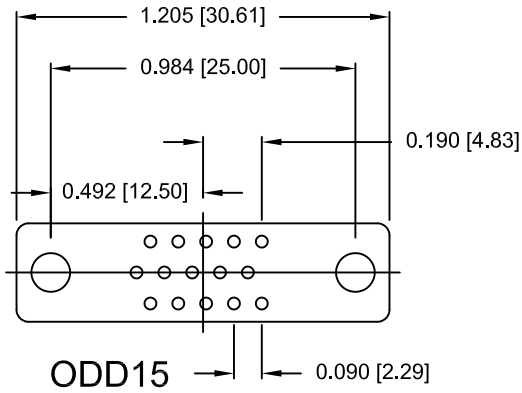
UNITS = INCHES [mm]

DO NOT SCALE FROM DRAWING

	THESE DRAWINGS AND SPECIFICATIONS ARE THE PROPERTY OF NorComp AND SHALL NOT BE REPRODUCED, COPIED OR USED AS THE BASIS FOR THE MANUFACTURE OF SALE OF APPARATUS WITHOUT WRITTEN PERMISSION.		DRAWN: C. SMITH	DATE: 03-16-07
	NorComp		SCALE: NTS	SHEET 2 OF 4
DWG NO. 181-MYY-1YYRYYY				

DESCRIPTION: HIGH DENSITY LOCATOR PLATES - 15, 26, 44, 62 & 78

MATERIAL: INSULATION PAPER
0.039" THICK



UNITS = INCHES [mm]

DO NOT SCALE FROM DRAWING



THESE DRAWINGS AND SPECIFICATIONS ARE THE PROPERTY OF NorComp AND SHALL NOT BE REPRODUCED, COPIED OR USED AS THE BASIS FOR THE MANUFACTURE OF SALE OF APPARATUS WITHOUT WRITTEN PERMISSION.

DRAWN: C. SMITH

DATE: 03-16-07

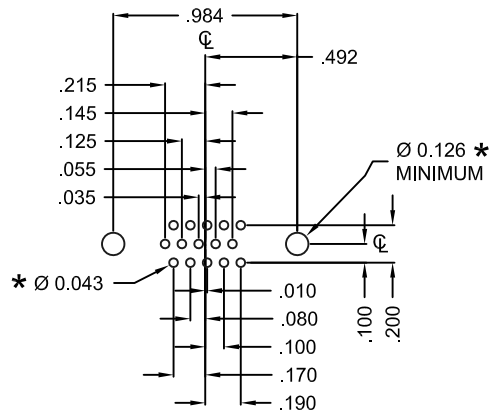
NorComp

SCALE: NTS SHEET 3 OF 4 REV 25

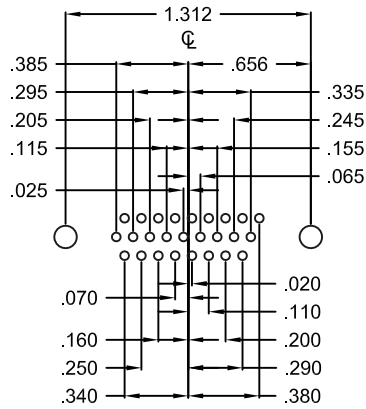
DWG NO. 181-MYY-1YYRYYY

RoHS COMPLIANT

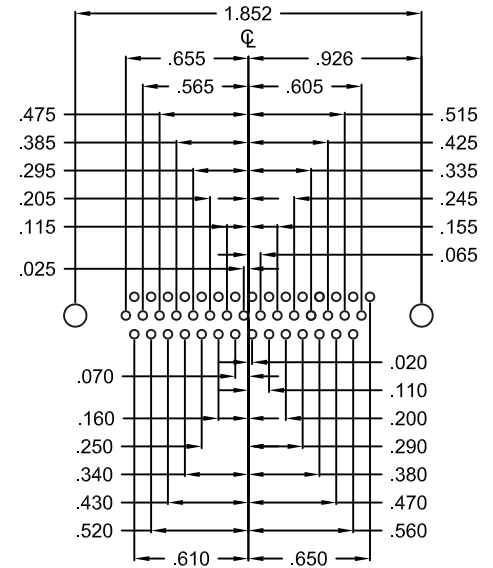
DESCRIPTION: HIGH DENSITY - MACHINED CONTACTS - RIGHT ANGLE



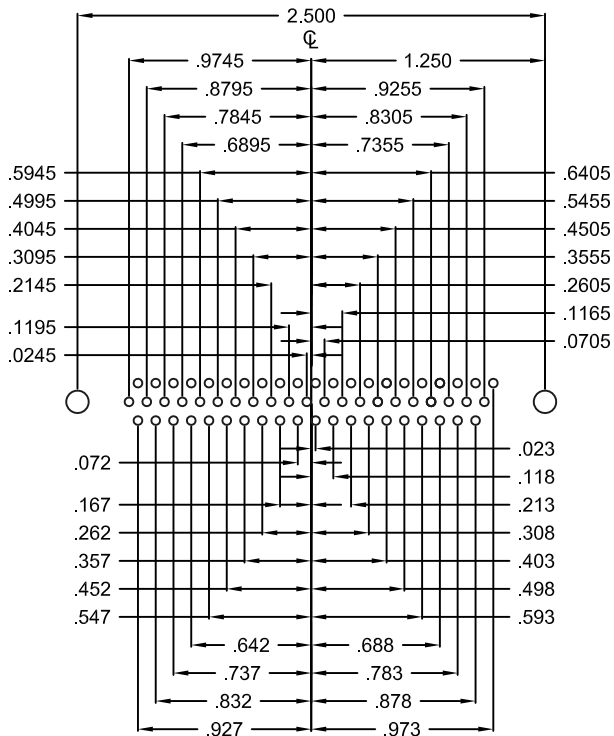
15 POSITION



26 POSITION



44 POSITION



62 POSITION

HOLE PATTERN SHOWN
ARE FOR MALE

UNITS = inch

* TYP.
SUGGESTED SIZE
MAY NOT BE SUITABLE FOR ALL APPLICATIONS

DO NOT SCALE FROM DRAWING

	THESE DRAWINGS AND SPECIFICATIONS ARE THE PROPERTY OF NorComp AND SHALL NOT BE REPRODUCED, COPIED OR USED AS THE BASIS FOR THE MANUFACTURE OF SALE OF APPARATUS WITHOUT WRITTEN PERMISSION.		DRAWN: C. SMITH	DATE: 03-16-07
	<h1>NorComp</h1>		SCALE: NTS	SHEET OF 4 4
DWG NO. 181-MYY-1YYRYYY				

Mouser Electronics

Authorized Distributor

Click to View Pricing, Inventory, Delivery & Lifecycle Information:

[NorComp:](#)

[181-M62-113R141](#) [181-M44-113R141](#) [181-M15-113R141](#) [181-M26-113R141](#)