

## DS92LV242x 10-MHz to 75-MHz, 24-Bit Channel Link II Serializer And Deserializer

### 1 Features

- 24-Bit Data, 3-Bit Control, 10- to 75-MHz Clock
- AC-Coupled STP Interconnect Cable up to 10 m
- Integrated Terminations on Serializer and Deserializer
- At-Speed Link BIST Mode and Reporting Pin
- Optional I<sup>2</sup>C-Compatible Serial Control Bus
- Power-Down Mode Minimizes Power Dissipation
- 1.8-V or 3.3-V Compatible LVCMOS I/O Interface
- –40° to 85°C Temperature Range
- >8-kV HBM
- Serializer (DS92LV2421)
  - Data Scrambler for Reduced EMI
  - DC-Balance Encoder for AC Coupling
  - Selectable Output VOD and Adjustable De-emphasis
- Deserializer (DS92LV2422)
  - Fast Random Data Lock; No Reference Clock Required
  - Adjustable Input Receiver Equalization
  - LOCK (Real-Time Link Status) Reporting Pin
  - EMI Minimization on Output Parallel Bus (SSCG)
  - Output Slew Control (OS)

### 2 Applications

- Embedded Videos and Displays
- Medical Imaging and Factory Automation
- Office Automation (Printers and Scanners)
- Security and Video Surveillance
- General-Purpose Data Communication

### 3 Description

The DS92LV242x chipset translates a parallel 24-bit LVCMOS data interface into a single high-speed CML serial interface with embedded clock information. This single serial stream eliminates skew issues between clock and data, reduces connector size, and reduces interconnect cost for transferring a 24-bit or less bus over FR-4 printed-circuit board backplanes and balanced cables. In addition, the DS92LV242x chipset also features a 3-bit control bus for slow speed signals. This allows for video and display applications with up to 24 bits per pixel (RGB).

Programmable transmit de-emphasis, receive equalization, on-chip scrambling, and DC balancing enables longer distance transmission over lossy cables and backplanes. The DS92LV2422 automatically locks to incoming data without an external reference clock or special sync patterns, providing easy *plug-and-go* operation. EMI is minimized by the use of low voltage differential signaling, receiver drive strength control, and spread spectrum clocking capability.

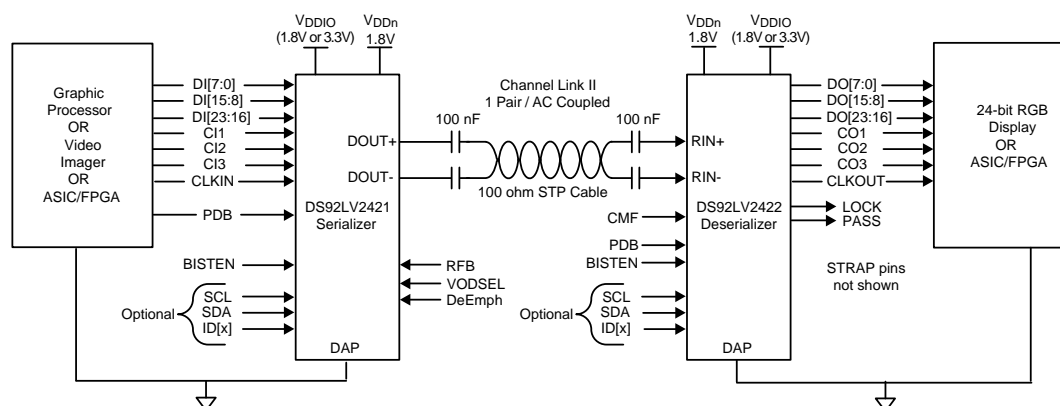
The DS92LV242x chipset is programmable though an I<sup>2</sup>C interface as well as through pins. A built-in, at-speed BIST feature validates link integrity and may be used for system diagnostics. The DS92LV2421 is offered in a 48-pin WQFN, and the DS92LV2422 is offered in a 60-pin WQFN package. Both devices operate over the full industrial temperature range of –40°C to 85°C.

#### Device Information<sup>(1)</sup>

PART NUMBER	PACKAGE	BODY SIZE (NOM)
DS92LV2421	WQFN (48)	7.00 mm x 7.00 mm
DS92LV2422	WQFN (60)	9.00 mm x 9.00 mm

(1) For all available packages, see the orderable addendum at the end of the data sheet.

#### Typical Application Block Diagram



Copyright © 2016, Texas Instruments Incorporated



## Table of Contents

<b>1 Features</b> .....	1	7.2 Functional Block Diagrams .....	22
<b>2 Applications</b> .....	1	7.3 Feature Description.....	23
<b>3 Description</b> .....	1	7.4 Device Functional Modes.....	37
<b>4 Revision History</b> .....	2	7.5 Register Maps .....	38
<b>5 Pin Configuration and Functions</b> .....	4	<b>8 Application and Implementation</b> .....	41
<b>6 Specifications</b> .....	10	8.1 Application Information.....	41
6.1 Absolute Maximum Ratings .....	10	8.2 Typical Applications .....	42
6.2 ESD Ratings.....	10	<b>9 Power Supply Recommendations</b> .....	46
6.3 Recommended Operating Conditions.....	10	9.1 Power-Up Requirements and PDB Pin.....	46
6.4 Thermal Information .....	11	<b>10 Layout</b> .....	47
6.5 Electrical Characteristics – Serializer DC .....	11	10.1 Layout Guidelines .....	47
6.6 Electrical Characteristics – Deserializer DC .....	12	10.2 Layout Example .....	49
6.7 Electrical Characteristics – DC and AC Serial Control Bus .....	13	<b>11 Device and Documentation Support</b> .....	51
6.8 Timing Requirements – DC and AC Serial Control Bus .....	13	11.1 Device Support.....	51
6.9 Timing Requirements – Serializer for CLKIN.....	13	11.2 Documentation Support .....	51
6.10 Timing Requirements – Serial Control Bus.....	14	11.3 Related Links .....	51
6.11 Switching Characteristics – Serializer .....	14	11.4 Community Resource.....	51
6.12 Switching Characteristics – Deserializer.....	15	11.5 Trademarks .....	51
6.13 Typical Characteristics .....	21	11.6 Electrostatic Discharge Caution.....	51
<b>7 Detailed Description</b> .....	22	11.7 Glossary .....	52
7.1 Overview .....	22	<b>12 Mechanical, Packaging, and Orderable Information</b> .....	52

## 4 Revision History

NOTE: Page numbers for previous revisions may differ from page numbers in the current version.

### Changes from Revision B (April 2013) to Revision C

Page

• Added <i>ESD Ratings</i> table, <i>Feature Description</i> section, <i>Device Functional Modes</i> , <i>Application and Implementation</i> section, <i>Power Supply Recommendations</i> section, <i>Layout</i> section, <i>Device and Documentation Support</i> section, and <i>Mechanical, Packaging, and Orderable Information</i> section .....	1
• Updated thermal characteristic values based on latest simulation data .....	11
• Changed deserializer LVCMOS DC and supply current specification test conditions based on latest production tests ....	12
• Changed $I_{OL}$ test condition for $V_{OL}$ at $V_{DDIO} = 3.3\text{ V}$ to 3 mA .....	12
• Changed max value of Deserializer $V_{OL}$ to 0.45 V .....	12
• Changed test condition parameter for $V_{OL}$ Serial Control Characteristic .....	13
• Changed RPU = 10 k $\Omega$ condition for the <i>Serial Control Bus Characteristics</i> of $t_R$ and $t_F$ .....	13
• Added notes for serializer and deserializer switching characteristics verified by characterization .....	14
• Added corresponding pins for deserializer $t_{CLH}$ and $t_{CHL}$ parameter.....	15
• Added test condition to $t_{DD}$ deserializer parameter .....	15
• Changed corrected units for deserializer lock time and delay parameter .....	15
• Added serial stream and video control signal filter waveform to <i>Feature Description</i> .....	23
• Changed "NA" and "Disable" term in <a href="#">Table 5</a> and <a href="#">Table 6</a> to "Off" .....	28
• Changed output states to correct values based on OSS_SEL and PDB configuration in <a href="#">Table 7</a> .....	29
• Added details for Deserializer Map Select strap pin configuration .....	33
• Added clarification on the state of deserializer outputs during BIST mode operation.....	33
• Added statement to set input to low when entering BIST mode with DS90C241 or DS90UR241 .....	33
• Added note that ID[X] cannot be tied to VSS, as only four device addresses are supported .....	35
• Added RID tolerance and tablenote that $RID \neq 0\ \Omega$ to set ID[X] .....	35
• Changed statement that CONFIG settings can also be programmed via register .....	37

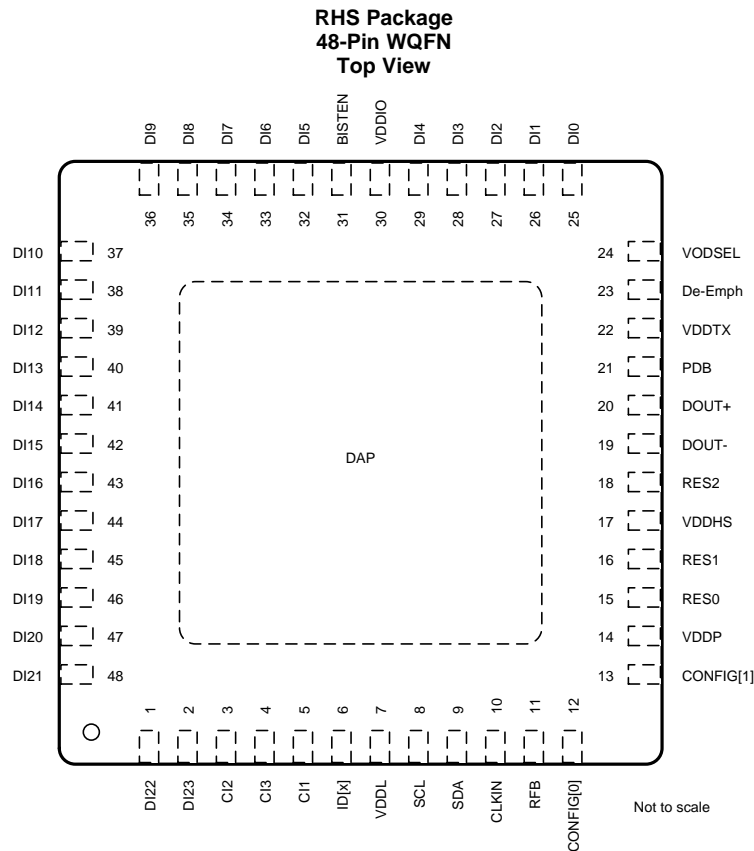
**Revision History (continued)**

- Changed bit description to swap definition for Serializer RFB and VOD ..... 38
  - Changed bit definition for Deserializer OSS\_SEL ..... 39
  - Changed definition from Reserved to MAP\_SEL for Deserializer Reg 0x02[5:4] ..... 39
- 

**Changes from Revision A (April 2013) to Revision B****Page**

- Changed layout of National Semiconductor Data Sheet to TI format ..... 49
-

## 5 Pin Configuration and Functions



**Pin Functions: DS92LV2421 (Serializer)**

PIN		TYPE <sup>(1)</sup>	DESCRIPTION <sup>(2)</sup>
NAME	NO.		
<b>LVC MOS PARALLEL INTERFACE</b>			
DI[7:0]	34, 33, 32, 29, 28, 27, 26, 25	I	Parallel interface data input pins, LVC MOS with pulldown. For 8-bit RED display: DI7 = R7 – MSB, DI0 = R0 – LSB.
DI[15:8]	42, 41, 40, 39, 38, 37, 36, 35	I	Parallel interface data input pins, LVC MOS with pulldown. For 8-bit GREEN display: DI15 = G7 – MSB, DI8 = G0 – LSB.
DI[23:16]	2, 1, 48, 47, 46, 45, 44, 43	I	Parallel interface data input pins, LVC MOS with pulldown. For 8-bit BLUE display: DI23 = B7 – MSB, DI16 = B0 – LSB.
CI1	5	I	Control signal input, LVC MOS with pulldown. For display or video application: CI1 = Data enable input. Control signal pulse width must be 3 clocks or longer to be transmitted when the Control signal filter is enabled (CONFIG[1:0] = 01). There is no restriction on the minimum transition pulse when the control signal filter is disabled (CONFIG[1:0] = 00). The signal is limited to 2 transitions per 130 clocks regardless of the control signal filter setting.
CI2	3	I	Control signal input, LVC MOS with pulldown. For display or video application: CI2 = Horizontal sync input. Control signal pulse width must be 3 clocks or longer to be transmitted when the control signal filter is enabled (CONFIG[1:0] = 01). There is no restriction on the minimum transition pulse when the control signal filter is disabled (CONFIG[1:0] = 00). The signal is limited to 2 transitions per 130 clocks regardless of the control signal filter setting.

(1) G = Ground, I = Input, O = Output, and P = Power

(2) 1= HIGH, 0 = LOW

**Pin Functions: DS92LV2421 (Serializer) (continued)**

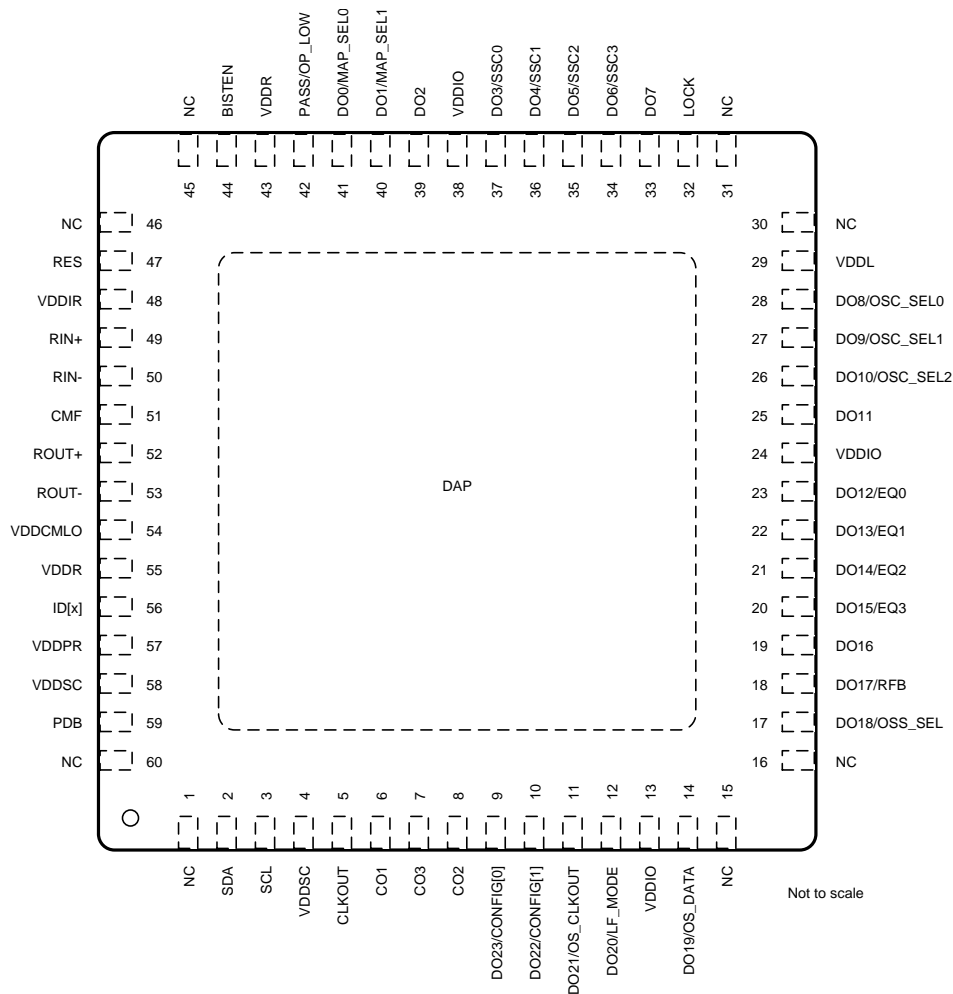
PIN		TYPE <sup>(1)</sup>	DESCRIPTION <sup>(2)</sup>
NAME	NO.		
CI3	4	I	Control signal input, LVCMOS with pulldown. For display or video application: CI3 = Vertical sync input. CI3 is limited to 1 transition per 130 clock cycles. Thus, the minimum pulse width allowed is 130 clock cycles wide.
CLKIN	10	I	Clock input, LVCMOS with pulldown. Latch or data strobe edge set by RFB pin.
<b>CONTROL AND CONFIGURATION</b>			
PDB	21	I	Power-down mode input, LVCMOS with pulldown. PDB = 1, serializer is enabled (normal operation). Refer to <a href="#">Power-Up Requirements and PDB Pin</a> . PDB = 0, serializer is powered down. When the serializer is in the power-down state, the driver outputs (DOU $\pm$ ) are both logic high, the PLL is shutdown, IDD is minimized. Control Registers are RESET.
VODSEL	24	I	Differential driver output voltage select (this can also be control by I <sup>2</sup> C register access), LVCMOS with pulldown. VODSEL = 1, LVDS VOD is $\pm 420$ mV, 840 mV <sub>p-p</sub> (typical) — long cable or de-emphasis apps. VODSEL = 0, LVDS VOD is $\pm 280$ mV, 560 mV <sub>p-p</sub> (typical) — short cable (no de-emphasis), low power mode.
De-Emph	23	I	De-emphasis control (this can also be controlled by I <sup>2</sup> C register access), analog with pullup. De-emphasis = open (float) - disabled. To enable de-emphasis, tie a resistor from this pin to GND or control through register (see <a href="#">Table 3</a> ).
RFB	11	I	Clock input latch or data strobe edge select (this can also be controlled by I <sup>2</sup> C register access), LVCMOS with pulldown. RFB = 1, parallel interface data and control signals are latched on the rising clock edge. RFB = 0, parallel interface data and control signals are latched on the falling clock edge.
CONFIG[1:0]	13, 12	I	LVCMOS with pulldown. 00: Control Signal Filter DISABLED. 01: Control Signal Filter ENABLED. 10: Reverse compatibility mode to interface with the DS90UR124 or DS99R124Q-Q1. 11: Reverse compatibility mode to interface with the DS90C124.
ID[X]	6	I	I <sup>2</sup> C serial control bus device ID address select (optional), analog. Resistor to Ground and 10-k $\Omega$ pullup to 1.8-V rail (see <a href="#">Table 11</a> ).
SCL	8	I	I <sup>2</sup> C serial control bus clock input (optional), LVCMOS. SCL requires an external pullup resistor to V <sub>DDIO</sub> .
SDA	9	I/O	I <sup>2</sup> C serial control bus data input or output (optional), LVCMOS (open drain). SDA requires an external pullup resistor V <sub>DDIO</sub> .
BISTEN	31	I	BIST mode (optional), LVCMOS with pulldown. BISTEN = 0, BIST is disabled (normal operation). BISTEN = 1, BIST is enabled.
RES[2:0]	18, 16, 15	I	Reserved (tie low), LVCMOS with pulldown.
<b>CHANNEL-LINK II – CML SERIAL INTERFACE</b>			
DOU+	20	O	Noninverting output, CML. The output must be AC-coupled with a 0.1- $\mu$ F capacitor.
DOU-	19	O	Inverting output, CML. The output must be AC-coupled with a 0.1- $\mu$ F capacitor.

Pin Functions: DS92LV2421 (Serializer) (continued)

PIN		TYPE <sup>(1)</sup>	DESCRIPTION <sup>(2)</sup>
NAME	NO.		
<b>POWER AND GROUND<sup>(3)</sup></b>			
VDDL	7	P	Logic power, 1.8 V ± 5%
VDDP	14	P	PLL power, 1.8 V ± 5%
VDDHS	17	P	TX high-speed logic power, 1.8 V ± 5%
VDDTX	22	P	Output driver power, 1.8 V ± 5%
VDDIO	30	P	LVC MOS I/O power, 1.8 V ± 5% or 3.3 V ± 10%
GND	DAP	G	DAP is the large metal contact at the bottom side, located at the center of the WQFN package. Connect to the ground plane (GND) with at least 9 vias.

(3) The V<sub>DD</sub> (V<sub>DDn</sub> and V<sub>DDIO</sub>) supply ramp must be faster than 1.5 ms with a monotonic rise. If slower than 1.5 ms, then a capacitor on the PDB pin is needed to ensure PDB arrives after all the VDD have settled to the recommended operating voltage.

NKB Package  
60-Pin WQFN  
Top View



**Table 1. Pin Functions: DS92LV2422 (Deserializer)**

PIN		TYPE <sup>(1)</sup>	DESCRIPTION <sup>(2)</sup>
NAME	NO.		
<b>LVC MOS PARALLEL INTERFACE</b>			
DO[7:0]	33, 34, 35, 36, 37, 39, 40, 41	I/O	Parallel interface data output pins, STRAP and LVC MOS. For 8-bit RED display: DO7 = R7 – MSB, DO0 = R0 – LSB. In power down (PDB = 0), outputs are controlled by the OSS_SEL (see Table 7). These pins are inputs during power-up (see <a href="#">Deserializer Strap Input Pins</a> ).
DO[15:8]	20, 21, 22, 23, 25, 26, 27, 28	I/O	Parallel interface data output pins, STRAP and LVC MOS. For 8-bit GREEN display: DO15 = G7 – MSB, DO8 = G0 – LSB. In power down (PDB = 0), outputs are controlled by the OSS_SEL (see Table 7). These pins are inputs during power-up (see <a href="#">Deserializer Strap Input Pins</a> ).
DO[23:16]	9, 10, 11, 12, 14, 17, 18, 19	I/O	Parallel interface data input pins, STRAP and LVC MOS. For 8-bit BLUE display: DO23 = B7 – MSB, DO16 = B0 – LSB. In power down (PDB = 0), outputs are controlled by the OSS_SEL (see Table 7). These pins are inputs during power-up (see <a href="#">Deserializer Strap Input Pins</a> ).
CO1	6	O	Control signal output, LVC MOS. For display or video application: CO1 = Data enable output. Control signal pulse width must be 3 clocks or longer to be transmitted when the control signal filter is enabled (CONFIG[1:0] = 01). There is no restriction on the minimum transition pulse when the control signal filter is disabled (CONFIG[1:0] = 00). The signal is limited to 2 transitions per 130 clocks regardless of the control signal filter setting. In power down (PDB = 0), output is controlled by the OSS_SEL pin (see Table 7).
CO2	8	O	Control signal output, LVC MOS. For display or video application: CO2 = Horizontal sync output. Control signal pulse width must be 3 clocks or longer to be transmitted when the control signal filter is enabled (CONFIG[1:0] = 01). There is no restriction on the minimum transition pulse when the control signal filter is disabled (CONFIG[1:0] = 00). The signal is limited to 2 transitions per 130 clocks regardless of the control signal filter setting. In power down (PDB = 0), output is controlled by the OSS_SEL pin (see Table 7).
CO3	7	O	Control signal output, LVC MOS. For display or video application: CO3 = Vertical sync output. CO3 is different than CO1 and CO2 because it is limited to 1 transition per 130 clock cycles. Thus, the minimum pulse width allowed is 130 clock cycles wide. The CONFIG[1:0] pins have no effect on the CO3 signal. In power down (PDB = 0), output is controlled by the OSS_SEL pin (see Table 7).
CLKOUT	5	O	Pixel clock output, LVC MOS. In power down (PDB = 0), output is controlled by the OSS_SEL pin (see Table 7). Data strobe edge set by RFB.
LOCK	32	O	LOCK status output, LVC MOS. LOCK = 1, PLL is locked, outputs are active LOCK = 0, PLL is unlocked, DO[23:0], CO1, CO2, CO3 and CLKOUT output states are controlled by OSS_SEL (see Table 7). May be used as link status or to flag when video data is active (ON/OFF).
PASS	42	O	PASS output (BIST mode), LVC MOS. PASS = 1, error free transmission. PASS = 0, one or more errors were detected in the received payload. Route to test point for monitoring, or leave open if unused.
<b>CONTROL AND CONFIGURATION – STRAP PINS<sup>(3)</sup></b>			
CONFIG[1:0]	10 [DO22], 9 [DO23]	I	STRAP or LVC MOS with pulldown. 00: Control Signal Filter DISABLED. 01: Control Signal Filter ENABLED. 10: Reverse compatibility mode to interface with the DS90UR241 or DS99R241-Q1. 11: Reverse compatibility mode to interface with the DS90C241.
LF_MODE	12 [DO20]	I	SSCG low frequency mode, STRAP or LVC MOS with pulldown. Only required when SSCG is enabled, otherwise LF_MODE condition is a DON'T CARE (X). LF_MODE = 1, SSCG in low frequency mode (CLK = 10 to 20 MHz). LF_MODE = 0, SSCG in high frequency mode (CLK = 20 to 65 MHz). This can also be controlled by I <sup>2</sup> C register access.

(1) G = Ground, I = Input, O = Output, and P = Power

(2) 1 = HIGH, 0 = LOW

(3) For a high state, use a 10-kΩ pullup to V<sub>DDIO</sub>; for a low state, the IO includes an internal pull down. The strap pins are read upon power-up and set device configuration. Pin number DO[23:0] listed along with shared data output name in square brackets.

**Table 1. Pin Functions: DS92LV2422 (Deserializer) (continued)**

PIN		TYPE <sup>(1)</sup>	DESCRIPTION <sup>(2)</sup>
NAME	NO.		
OS_CLKOUT	11 [DO21]	I	Output CLKOUT slew select, STRAP or LVCMOS with pulldown. OS_CLKOUT = 1, increased CLKOUT slew rate. OS_CLKOUT = 0, normal CLKOUT slew rate (default). This can also be controlled by I <sup>2</sup> C register access.
OS_DATA	14 [DO19]	I	Output DO[23:0], CO1, CO2, CO3 slew select; STRAP or LVCMOS with pulldown. OS_DATA = 1, Increased DO slew rate. OS_DATA = 0, Normal DO slew rate (default). This can also be controlled by I <sup>2</sup> C register access.
OP_LOW	42 [PASS]	I	Outputs held low when LOCK = 1, STRAP or LVCMOS with pulldown. NOTE: Do not use any other strap options with this strap function enabled. OP_LOW = 1, all outputs are held low during power up until released by programming OP_LOW release/set register HIGH. NOTE: Before the device is powered up, the outputs are in TRI-STATE (see <a href="#">Figure 30</a> and <a href="#">Figure 31</a> ). OP_LOW = 0, all outputs toggle normally as soon as LOCK goes high (default). This can also be controlled by I <sup>2</sup> C register access.
OSS_SEL	17 [DO18]	I	Output sleep state select, STRAP or LVCMOS with pulldown. OSS_SEL is used in conjunction with PDB to determine the state of the outputs in power down (see <a href="#">Table 7</a> ). NOTE: OSS_SEL strap cannot be used if OP_LOW = 1. This can also be controlled by I <sup>2</sup> C register access.
RFB	18 [DO17]	I	Clock output strobe edge select, STRAP or LVCMOS with pulldown. RFB = 1, parallel interface data and control signals are strobed on the rising clock edge. RFB = 0, parallel interface data and control signals are strobed on the falling clock edge. This can also be controlled by I <sup>2</sup> C register access.
EQ[3:0]	20 [DO15], 21 [DO14], 22 [DO13], 23 [DO12]	I	Receiver input equalization, STRAP or LVCMOS with pulldown (see <a href="#">Table 4</a> ). This can also be controlled by I <sup>2</sup> C register access.
OSC_SEL[2:0]	26 [DO10], 27 [DO9], 28 [DO8]	I	Oscillator select, STRAP or LVCMOS with pulldown (see <a href="#">Table 8</a> and <a href="#">Table 9</a> ). This can also be controlled by I <sup>2</sup> C register access.
SSC[3:0]	34 [DO6], 35 [DO5], 36 [DO4], 37 [DO3]	I	Spread spectrum clock generation (SSCG) range select, STRAP or LVCMOS with pulldown (see <a href="#">Table 5</a> and <a href="#">Table 6</a> ). This can also be controlled by I <sup>2</sup> C register access.
MAP_SEL[1:0]	40 [D], 41 [D]	I	Bit mapping reverse compatibility or DS90UR241 options, STRAP or LVCMOS with pulldown. Pin or register control. Default setting is 00'b (see <a href="#">Table 10</a> ).
<b>CONTROL AND CONFIGURATION</b>			
PDB	59	I	Power-down mode input, LVCMOS with pulldown. PDB = 1, deserializer is enabled (normal operation). Refer to <a href="#">Power-Up Requirements and PDB Pin</a> . PDB = 0, deserializer is in power down. When the deserializer is in the power-down state, the LVCMOS output state is determined by <a href="#">Table 7</a> . Control registers are RESET.
ID[X]	56	I	I <sup>2</sup> C serial control bus device ID Address Select (optional), analog. Resistor to ground and 10-kΩ pullup to 1.8-V rail (see <a href="#">Table 11</a> ).
SCL	3	I	I <sup>2</sup> C serial control bus clock input (optional), LVCMOS. SCL requires an external pullup resistor to V <sub>DDIO</sub> .
SDA	2	I/O	I <sup>2</sup> C serial control bus data input or output (optional), LVCMOS open drain. SDA requires an external pullup resistor to V <sub>DDIO</sub> .
BISTEN	44	I	BIST enable input (optional), LVCMOS with pulldown. BISTEN = 0, BIST is disabled (normal operation). BISTEN = 1, BIST is enabled.
RES	47	I	Reserved (tie low), LVCMOS with pulldown.
NC	1, 15, 16, 30, 31, 45, 46, 60	—	Not connected, leave pin open (float).



**Table 1. Pin Functions: DS92LV2422 (Deserializer) (continued)**

PIN		TYPE <sup>(1)</sup>	DESCRIPTION <sup>(2)</sup>
NAME	NO.		
<b>CHANNEL-LINK II — CML SERIAL INTERFACE</b>			
RIN+	49	I	True input, CML. The input must be AC-coupled with a 0.1- $\mu$ F capacitor.
RIN-	50	I	Inverting input, CML. The input must be AC-coupled with a 0.1- $\mu$ F capacitor.
CMF	51	I	Common-mode filter, analog. VCM center-tap is a virtual ground which may be AC-coupled to ground to increase receiver common mode noise immunity. Recommended value is 4.7 $\mu$ F or higher.
ROUT+	52	O	True output (receive signal after the equalizer), CML. NC if not used or connect to test point for monitor. Requires I <sup>2</sup> C control to enable.
ROUT-	53	O	Inverting output (receive signal after the equalizer), CML. NC if not used or connect to test point for monitor. Requires I <sup>2</sup> C control to enable.
<b>POWER AND GROUND<sup>(4)</sup></b>			
VDDL	29	P	Logic power, 1.8 V $\pm$ 5%
VDDIR	48	P	Input power, 1.8 V $\pm$ 5%
VDDR	43, 55	P	RX high-speed logic power, 1.8 V $\pm$ 5%
VDDSC	4, 58	P	SSCG power, 1.8 V $\pm$ 5%
VDDPR	57	P	PLL power, 1.8 V $\pm$ 5%
VDDCMLO	54	P	RX high-speed logic power, 1.8 V $\pm$ 5%
VDDIO	13, 24, 38	P	LVCMOS I/O power, 1.8 V $\pm$ 5% or 3.3 V $\pm$ 10% (V <sub>DDIO</sub> )
GND	DAP	G	DAP is the large metal contact at the bottom side, located at the center of the WQFN package. Connected to the ground plane (GND) with at least 9 vias.

(4) The V<sub>DD</sub> (V<sub>DDn</sub> and V<sub>DDIO</sub>) supply ramp must be faster than 1.5 ms with a monotonic rise. If slower than 1.5 ms, then a capacitor on the PDB pin is needed to ensure PDB arrives after all the VDD have settled to the recommended operating voltage.

## 6 Specifications

### 6.1 Absolute Maximum Ratings

Over operating free-air temperature range (unless otherwise noted)<sup>(1)(2)(3)</sup>

		MIN	MAX	UNIT
Supply voltage, $V_{DDn}$ (1.8 V)		-0.3	2.5	V
Supply voltage, $V_{DDIO}$		-0.3	4	V
LVCMOS I/O voltage		-0.3	$V_{DDIO} + 0.3$	V
Receiver input voltage		-0.3	$V_{DD} + 0.3$	V
Driver output voltage		-0.3	$V_{DD} + 0.3$	V
48L RHS package	Maximum power dissipation capacity at 25°C	225		mW
	Derate above 25°C	$1 / R_{\theta JA}$		mW/°C
60L NKB package	Maximum power dissipation capacity at 25°C	525		mW
	Derate above 25°C	$1 / R_{\theta JA}$		mW/°C
Junction temperature, $T_J$		150		°C
Storage temperature, $T_{stg}$		-65	150	°C

- (1) Stresses beyond those listed under *Absolute Maximum Ratings* may cause permanent damage to the device. These are stress ratings only, which do not imply functional operation of the device at these or any other conditions beyond those indicated under *Recommended Operating Conditions*. Exposure to absolute-maximum-rated conditions for extended periods may affect device reliability.
- (2) If Military/Aerospace specified devices are required, please contact the Texas Instruments Sales Office/Distributors for availability and specifications.
- (3) For soldering specifications, see product folder at [www.ti.com](http://www.ti.com) and [SNOA549](#).

### 6.2 ESD Ratings

		VALUE	UNIT	
$V_{(ESD)}$ Electrostatic discharge	Human-body model (HBM), per ANSI/ESDA/JEDEC JS-001 <sup>(1)</sup>	±8000	V	
	Charged-device model (CDM), per JEDEC specification JESD22-C101 <sup>(2)</sup>	±1000		
	Machine model (MM)	±250		
	IEC 61000-4-2 contact discharge	$D_{OUT+}, D_{OUT-}$		≥±8000
		$R_{IN+}, R_{IN-}$		≥±8000
	IEC 61000-4-2 air-gap discharge	$D_{OUT+}, D_{OUT-}$		≥±25000
$R_{IN+}, R_{IN-}$		≥±25000		

- (1) JEDEC document JEP155 states that 500-V HBM allows safe manufacturing with a standard ESD control process.
- (2) JEDEC document JEP157 states that 250-V CDM allows safe manufacturing with a standard ESD control process.

### 6.3 Recommended Operating Conditions

		MIN	NOM	MAX	UNIT
$V_{DDn}$	Supply voltage	1.71	1.8	1.89	V
$V_{DDIO}$	LVCMOS supply voltage	1.71	1.8	1.89	V
$V_{DDIO}$	LVCMOS supply voltage	3	3.3	3.6	V
Clock frequency		10		75	MHz
Supply noise <sup>(1)</sup>				50	mV <sub>p-p</sub>
$T_A$	Operating free-air temperature	-40	25	85	°C

- (1) Supply noise testing was done with minimum capacitors on the PCB. A sinusoidal signal is AC-coupled to the  $V_{DDn}$  (1.8 V) supply with amplitude = 100 mV<sub>p-p</sub> measured at the device  $V_{DDn}$  pins. Bit error rate testing of input to the serializer and output of the deserializer with 10 meter cable shows no error when the noise frequency on the serializer is less than 750 kHz. The deserializer, on the other hand, shows no error when the noise frequency is less than 400 kHz.

## 6.4 Thermal Information

Over operating free-air temperature range (unless otherwise noted)

THERMAL METRIC <sup>(1)</sup>		DS92LV2421	DS92LV2422	UNIT
		RHS (WQFN)	NKB (WQFN)	
		48 PINS	60 PINS	
R <sub>θJA</sub>	Junction-to-ambient thermal resistance <sup>(2)</sup>	30.3	26.9	°C/W
R <sub>θJC(top)</sub>	Junction-to-case (top) thermal resistance <sup>(2)</sup>	11.5	9.1	°C/W
R <sub>θJB</sub>	Junction-to-board thermal resistance	7.3	6	°C/W
ψ <sub>JT</sub>	Junction-to-top characterization parameter	0.1	0.1	°C/W
ψ <sub>JB</sub>	Junction-to-board characterization parameter	7.3	6	°C/W
R <sub>θJC(bot)</sub>	Junction-to-case (bottom) thermal resistance	2.7	1.5	°C/W

- (1) For more information about traditional and new thermal metrics, see the *Semiconductor and IC Package Thermal Metrics* application report, [SPRA953](#).  
 (2) Based on nine thermal vias.

## 6.5 Electrical Characteristics – Serializer DC

Over recommended operating supply and temperature ranges (unless otherwise noted).<sup>(1)(2)(3)</sup>

PARAMETER		TEST CONDITIONS	MIN	TYP	MAX	UNIT	
<b>LVC MOS INPUT DC SPECIFICATIONS</b>							
V <sub>IH</sub>	High level input voltage	V <sub>DDIO</sub> = 3 V to 3.6 V (DI[23:0], C11,C12,C13, CLKIN, PDB, VODSEL, RFB, BISTEN, and CONFIG[1:0] pins)	2.2		V <sub>DDIO</sub>	V	
		V <sub>DDIO</sub> = 1.71 V to 1.89 V (DI[23:0], C11,C12,C13, CLKIN, PDB, VODSEL, RFB, BISTEN, and CONFIG[1:0] pins)	0.65 × V <sub>DDIO</sub>		V <sub>DDIO</sub>		
V <sub>IL</sub>	Low level input voltage	V <sub>DDIO</sub> = 3 V to 3.6 V (DI[23:0], C11,C12,C13, CLKIN, PDB, VODSEL, RFB, BISTEN, and CONFIG[1:0] pins)	GND		0.8	V	
		V <sub>DDIO</sub> = 1.71 V to 1.89 V (DI[23:0], C11,C12,C13, CLKIN, PDB, VODSEL, RFB, BISTEN, and CONFIG[1:0] pins)	GND		0.35 × V <sub>DDIO</sub>		
I <sub>IN</sub>	Input current	V <sub>IN</sub> = 0 V or V <sub>DDIO</sub> (DI[23:0], C11,C12,C13, CLKIN, PDB, VODSEL, RFB, BISTEN, and CONFIG[1:0] pins)	V <sub>DDIO</sub> = 3 V to 3.6 V	−15	±1	15	μA
			V <sub>DDIO</sub> = 1.7 V to 1.89 V	−15	±1	15	
<b>CML DRIVER DC SPECIFICATIONS</b>							
V <sub>OD</sub>	Differential output voltage	R <sub>L</sub> = 100 Ω, de-emphasis = disabled (see <a href="#">Figure 2</a> ; DOUT+ and DOUT− pins)	VODSEL = 0	±205	±280	±355	mV
			VODSEL = 1	±320	±420	±520	
V <sub>ODP-P</sub>	Differential output voltage (DOUT+) – (DOUT−)	R <sub>L</sub> = 100 Ω, de-emphasis = disabled (see <a href="#">Figure 2</a> ; DOUT+ and DOUT− pins)	VODSEL = 0		560		mV <sub>P-P</sub>
			VODSEL = 1		840		
ΔV <sub>OD</sub>	Output voltage unbalance	R <sub>L</sub> = 100 Ω, de-emphasis = disabled, VODSEL = L (DOUT+ and DOUT− pins)		1		50	mV
V <sub>OS</sub>	Offset voltage (single-ended)	At TP A and B (see <a href="#">Figure 1</a> ), R <sub>L</sub> = 100 Ω, de-emphasis = disabled (DOUT+ and DOUT− pins)	VODSEL = 0		1.65		V
			VODSEL = 1		1.575		
ΔV <sub>OS</sub>	Offset voltage unbalance (single-ended)	At TP A and B (see <a href="#">Figure 1</a> ), R <sub>L</sub> = 100 Ω, de-emphasis = disabled (DOUT+ and DOUT− pins)		1			mV
I <sub>OS</sub>	Output short circuit current	DOUT± = 0 V, de-emphasis = disabled, VODSEL = 0 (DOUT+ and DOUT− pins)		−36			mA
R <sub>TO</sub>	Internal output termination resistor	DOUT+ and DOUT− pins	80	100	120		Ω

- (1) The electrical characteristics tables list verified specifications under the listed recommended operating conditions except as otherwise modified or specified by the electrical characteristics conditions or notes. Typical specifications are estimations only and are not verified.  
 (2) Typical values represent most likely parametric norms at V<sub>DD</sub> = 3.3 V, T<sub>A</sub> = 25°C, and at the recommended operation conditions at the time of product characterization and are not verified.  
 (3) Current into device pins is defined as positive. Current out of a device pin is defined as negative. Voltages are referenced to ground except V<sub>OD</sub>, ΔV<sub>OD</sub>, V<sub>TH</sub>, and V<sub>TL</sub>, which are differential voltages.

## Electrical Characteristics – Serializer DC (continued)

 Over recommended operating supply and temperature ranges (unless otherwise noted).<sup>(1)(2)(3)</sup>

PARAMETER		TEST CONDITIONS		MIN	TYP	MAX	UNIT
<b>SUPPLY CURRENT</b>							
I <sub>DDT1</sub>	Serializer supply current (includes load current)	R <sub>L</sub> = 100 Ω, CLKIN = 75 MHz, checker board pattern, de-emphasis = 3 kΩ, VODSEL = H (see Figure 9)	V <sub>DD</sub> = 1.89 V		75	90	mA
			V <sub>DDIO</sub> = 1.89 V		3	5	
I <sub>DDIOT1</sub>			V <sub>DDIO</sub> = 3.6 V		11	15	
I <sub>DDT2</sub>	Serializer supply current (includes load current)	R <sub>L</sub> = 100 Ω, CLKIN = 75 MHz, checker board pattern, de-emphasis = 6 kΩ, VODSEL = L (see Figure 9)	V <sub>DD</sub> = 1.89 V		65	80	mA
			V <sub>DDIO</sub> = 1.89 V		3	5	
I <sub>DDIOT2</sub>			V <sub>DDIO</sub> = 3.6 V		11	15	
I <sub>DDZ</sub>	Serializer supply current power-down	PDB = 0 V, All other LVCMOS Inputs = 0 V	V <sub>DD</sub> = 1.89 V		40	1000	μA
			V <sub>DDIO</sub> = 1.89 V		5	10	
I <sub>DDIOZ</sub>			V <sub>DDIO</sub> = 3.6 V		10	20	

## 6.6 Electrical Characteristics – Deserializer DC

Over recommended operating supply and temperature ranges (unless otherwise noted).

PARAMETER		TEST CONDITIONS		MIN	TYP	MAX	UNIT
<b>3.3-V I/O LVCMOS DC SPECIFICATIONS (V<sub>DDIO</sub> = 3 V TO 3.6 V)</b>							
V <sub>IH</sub>	High level input voltage	PDB and BISTEN pins		2.2		V <sub>DDIO</sub>	V
V <sub>IL</sub>	Low level input voltage	PDB and BISTEN pins		GND		0.8	V
I <sub>IN</sub>	Input current	V <sub>IN</sub> = 0 V or V <sub>DDIO</sub> (PDB and BISTEN pins)		-15	±1	15	μA
V <sub>OH</sub>	High level output voltage	I <sub>OH</sub> = -2 mA, OS_CLKOUT/DATA = L (DO[23:0], CO1, CO2, CO3, CLKOUT, LOCK, and PASS pins)		2.4	V <sub>DDIO</sub>		V
V <sub>OL</sub>	Low level output voltage	I <sub>OL</sub> = 3 mA, OS_CLKOUT/DATA = L (DO[23:0], CO1, CO2, CO3, CLKOUT, LOCK, and PASS pins)			GND	0.4	V
I <sub>OS</sub>	Output short circuit current	V <sub>DDIO</sub> = 3.3 V, V <sub>OUT</sub> = 0 V, OS_CLKOUT/DATA = L/H (CLKOUT pin)			36		mA
	Output short circuit current	V <sub>DDIO</sub> = 3.3 V, V <sub>OUT</sub> = 0 V, OS_CLKOUT/DATA = L/H (output pins)			37		
I <sub>OZ</sub>	TRI-STATE output current	PDB = 0 V, OSS_SEL = 0 V, V <sub>OUT</sub> = H (output pins)		-15		15	μA
<b>1.8-V I/O LVCMOS DC SPECIFICATIONS (V<sub>DDIO</sub> = 1.71 V to 1.89 V)</b>							
V <sub>IH</sub>	High level input voltage	PDB and BISTEN pins		1.235		V <sub>DDIO</sub>	V
V <sub>IL</sub>	Low level input voltage	PDB and BISTEN pins		GND		0.595	V
I <sub>IN</sub>	Input current	V <sub>IN</sub> = 0 V or V <sub>DDIO</sub> (PDB and BISTEN pins)		-15	±1	15	μA
V <sub>OH</sub>	High level output voltage	I <sub>OH</sub> = -2 mA, OS_CLKOUT/DATA = L/H (DO[23:0], CO1, CO2, CO3, CLKOUT, LOCK, and PASS pins)		V <sub>DDIO</sub> - 0.45	V <sub>DDIO</sub>		V
V <sub>OL</sub>	Low level output voltage	I <sub>OL</sub> = 2 mA, OS_CLKOUT/DATA = L/H (DO[23:0], CO1, CO2, CO3, CLKOUT, LOCK, and PASS pins)		GND		0.45	V
I <sub>OS</sub>	Output short circuit current	V <sub>DDIO</sub> = 1.8 V, V <sub>OUT</sub> = 0 V, OS_CLKOUT/DATA = L/H (CLKOUT pin)			18		mA
	Output short circuit current	V <sub>DDIO</sub> = 1.8 V, V <sub>OUT</sub> = 0 V, OS_CLKOUT/DATA = L/H (output pins)			18		
I <sub>OZ</sub>	TRI-STATE output current	PDB = 0 V, OSS_SEL = 0 V, V <sub>OUT</sub> = 0 V or V <sub>DDIO</sub> (output pins)		-15		15	μA
<b>CML RECEIVER DC SPECIFICATIONS</b>							
V <sub>TH</sub>	Differential input threshold high voltage	V <sub>CM</sub> = 1.2 V, RIN+ and RIN- pins (Internal V <sub>BIAS</sub> )		50			mV
V <sub>TL</sub>	Differential input threshold low voltage	V <sub>CM</sub> = 1.2 V, RIN+ and RIN- pins (Internal V <sub>BIAS</sub> )		-50			mV
V <sub>CM</sub>	Common mode voltage	RIN+ and RIN- pins (Internal V <sub>BIAS</sub> )			1.2		V
I <sub>IN</sub>	Input current	V <sub>IN</sub> = 0 V or V <sub>DDIO</sub> , RIN+ and RIN- pins		-15		15	μA
R <sub>TI</sub>	Internal input termination resistor	RIN+ and RIN- pins		80	100	120	Ω
<b>LOOP THROUGH CML DRIVER OUTPUT DC SPECIFICATIONS (EQ TEST PORT<sup>(1)</sup>)</b>							
V <sub>OD</sub>	Differential output voltage	ROUT+ and ROUT- pins, R <sub>L</sub> = 100 Ω			542		mV
V <sub>OS</sub>	Offset voltage (single-ended)	ROUT+ and ROUT- pins, R <sub>L</sub> = 100 Ω			1.4		V

(1) Specification is verified by characterization and is not tested in production.

## Electrical Characteristics – Deserializer DC (continued)

Over recommended operating supply and temperature ranges (unless otherwise noted).

PARAMETER		TEST CONDITIONS	MIN	TYP	MAX	UNIT
$R_T$	Internal termination resistor	ROUT+ and ROUT- pins	80	100	120	$\Omega$
<b>SUPPLY CURRENT</b>						
$I_{DD1}$	Deserializer supply current (includes load current)	CLKOUT = 75 MHz, checker board pattern, OS_CLKOUT/DATA = H, $C_L = 4$ pF (see <a href="#">Figure 9</a> )	$V_{DD} = 1.89$ V	97	115	mA
$I_{DDIO1}$			$V_{DDIO} = 1.89$ V	40	50	
			$V_{DDIO} = 3.6$ V	75	85	
$I_{DDZ}$	Deserializer supply current power down	PDB = 0 V, All other LVCMOS Inputs = 0 V	$V_{DD} = 1.89$ V	100	3000	$\mu$ A
$I_{DDIOZ}$			$V_{DDIO} = 1.89$ V	6	50	
			$V_{DDIO} = 3.6$ V	12	100	

## 6.7 Electrical Characteristics – DC and AC Serial Control Bus

Over 3.3-V supply and temperature ranges (unless otherwise noted).

PARAMETER		TEST CONDITIONS	MIN	TYP	MAX	UNIT
$V_{IH}$	Input high level	SDA and SCL	2.2		$V_{DDIO}$	V
$V_{IL}$	Input low level voltage	SDA and SCL	GND		0.8	V
$V_{HY}$	Input hysteresis			>50		mV
$V_{OL}$	Output low level voltage <sup>(1)</sup>	SDA, $I_{OL} = 1.25$ mA, $V_{DDIO} = 3.3$ V	0		0.4	V
$I_{in}$	Input current	SDA or SCL, $V_{in} = V_{DDIO}$ or GND	-15		15	$\mu$ A
$C_{in}$	Input capacitance	SDA or SCL		<5		pF

(1) Specification is verified by characterization and is not tested in production.

## 6.8 Timing Requirements – DC and AC Serial Control Bus

Over 3.3-V supply and temperature ranges (unless otherwise noted).

PARAMETER		TEST CONDITIONS	MIN	TYP	MAX	UNIT
$t_R$	SDA rise time (read)	SDA, RPU = 10 k $\Omega$ , $C_b \leq 400$ pF		40		ns
$t_F$	SDA fall time (read)	SDA, RPU = 10 k $\Omega$ , $C_b \leq 400$ pF		25		ns
$t_{SU,DAT}$	Set up time (read)			520		ns
$t_{HD,DAT}$	Hold up time (read)			55		ns
$t_{SP}$	Input filter			50		ns

## 6.9 Timing Requirements – Serializer for CLKIN

Over recommended operating supply and temperature ranges (unless otherwise noted).

PARAMETER		TEST CONDITIONS	MIN	NOM	MAX	UNIT
$t_{TCP}$	Transmit input CLKIN period	10 MHz to 75 MHz (see <a href="#">Figure 4</a> )	13.3	T	100	ns
$t_{TCIH}$	Transmit input CLKIN high time	10 MHz to 75 MHz (see <a href="#">Figure 4</a> )	$0.4 \times T$	$0.5 \times T$	$0.6 \times T$	ns
$t_{TCIL}$	Transmit input CLKIN low time	10 MHz to 75 MHz (see <a href="#">Figure 4</a> )	$0.4 \times T$	$0.5 \times T$	$0.6 \times T$	ns
$t_{CLKT}$	CLKIN input transition time	10 MHz to 75 MHz (see <a href="#">Figure 4</a> )	0.5		2.4	ns
$SSC_{IN}$	CLKIN input	fmod (spread spectrum at 75 MHz)			35	kHz
		fdev (spread spectrum at 75 MHz)			$\pm 2\%$	

## 6.10 Timing Requirements – Serial Control Bus

Over recommended operating supply and temperature ranges (unless otherwise noted).

PARAMETER		TEST CONDITIONS	MIN	NOM	MAX	UNIT
$f_{SCL}$	SCL clock frequency	Standard mode			100	kHz
		Fast mode			400	
$t_{LOW}$	SCL low period	Standard mode	4.7			$\mu$ s
		Fast mode	1.3			
$t_{HIGH}$	SCL high period	Standard mode	4			$\mu$ s
		Fast mode	0.6			
$t_{HD;STA}$	Hold time for a start or a repeated start condition (see Figure 18)	Standard mode	4			$\mu$ s
		Fast mode	0.6			
$t_{SU;STA}$	Set up time for a start or a repeated start condition (see Figure 18)	Standard mode	4.7			$\mu$ s
		Fast mode	0.6			
$t_{HD;DAT}$	Data hold time (see Figure 18)	Standard mode	0		3.45	$\mu$ s
		Fast mode	0		0.9	
$t_{SU;DAT}$	Data set up time (see Figure 18)	Standard mode	250			ns
		Fast mode	100			
$t_{SU;STO}$	Set up time for STOP condition (see Figure 18)	Standard mode	4			$\mu$ s
		Fast mode	0.6			
$t_{BUF}$	Bus free time (between STOP and START; see Figure 18)	Standard mode	4.7			$\mu$ s
		Fast mode	1.3			
$t_r$	SCL and SDA rise time (see Figure 18)	Standard mode			1000	ns
		Fast mode			300	
$t_f$	SCL and SDA fall time (see Figure 18)	Standard mode			300	ns
		Fast mode			300	

## 6.11 Switching Characteristics – Serializer

Over recommended operating supply and temperature ranges (unless otherwise noted).

PARAMETER		TEST CONDITIONS	MIN	TYP	MAX	UNIT
$t_{LHT}$	Serializer output low-to-high transition time (see Figure 3)	$R_L = 100 \Omega$ , de-emphasis = disabled, VODSEL = 0		200		ps
		$R_L = 100 \Omega$ , de-emphasis = disabled, VODSEL = 1		200		
$t_{HLT}$	Serializer output high-to-low transition time (see Figure 3)	$R_L = 100 \Omega$ , de-emphasis = disabled, VODSEL = 0		200		ps
		$R_L = 100 \Omega$ , de-emphasis = disabled, VODSEL = 1		200		
$t_{DIS}$	Input data, setup time (see Figure 4)	DI[23:0], CI1, CI2, CI3 to CLKIN	2			ns
$t_{DIH}$	Input data, hold time (see Figure 4)	CLKIN to DI[23:0], CI1, CI2, CI3	2			ns
$t_{XZD}$	Serializer output active to OFF delay (see Figure 6) <sup>(1)</sup>			8	15	ns
$t_{PLD}$	Serializer PLL lock time (see Figure 5) <sup>(1)(2)(3)</sup>	$R_L = 100 \Omega$		1.4	10	ms
$t_{SD}$	Serializer delay, latency (see Figure 7) <sup>(1)</sup>	$R_L = 100 \Omega$		$144 \times T$	$145 \times T$	ns

(1) Specification is verified by characterization and is not tested in production.

(2)  $t_{PLD}$  and  $t_{DDL}$  is the time required by the serializer and deserializer, respectively, to obtain lock when exiting power-down state with an active clock.

(3) When the serializer output is at TRI-STATE the Deserializer loses PLL lock. Resynchronization and Re-lock must occur before data transfer require  $t_{PLD}$

## Switching Characteristics – Serializer (continued)

Over recommended operating supply and temperature ranges (unless otherwise noted).

PARAMETER		TEST CONDITIONS	MIN	TYP	MAX	UNIT
$t_{DJIT}$	Serializer output total jitter (see Figure 8)	$R_L = 100 \Omega$ , de-emphasis = disabled, RANDOM pattern, CLKIN = 75 MHz		0.28		UI <sup>(4)</sup>
		$R_L = 100 \Omega$ , de-emphasis = disabled, RANDOM pattern, CLKIN = 43 MHz		0.27		
		$R_L = 100 \Omega$ , de-emphasis = disabled, RANDOM pattern, CLKIN = 10 MHz		0.35		
$\lambda_{STXBW}$	Serializer jitter transfer (function –3 dB bandwidth)	$R_L = 100 \Omega$ , de-emphasis = disabled, RANDOM pattern, CLKIN = 75 MHz		3.3		MHz
		$R_L = 100 \Omega$ , de-emphasis = disabled, RANDOM pattern, CLKIN = 43 MHz		2.3		
		$R_L = 100 \Omega$ , de-emphasis = disabled, RANDOM pattern, CLKIN = 10 MHz		0.8		
$\delta_{STX}$	Serializer jitter transfer (function peaking)	$R_L = 100 \Omega$ , de-emphasis = disabled, RANDOM pattern, CLKIN = 75 MHz		0.86		dB
		$R_L = 100 \Omega$ , de-emphasis = disabled, RANDOM pattern, CLKIN = 43 MHz		0.83		
		$R_L = 100 \Omega$ , de-emphasis = disabled, RANDOM pattern, CLKIN = 10 MHz		0.28		

(4) UI – Unit Interval is equivalent to one serialized data bit width (1 UI = 1 / [28 x CLK]). The UI scales with clock frequency.

## 6.12 Switching Characteristics – Deserializer

Over recommended operating supply and temperature ranges (unless otherwise noted).

PARAMETER		TEST CONDITIONS	MIN	TYP	MAX	UNIT
$t_{RCP}$	CLK output period	$t_{RCP} = t_{TCP}$ (CLKOUT)	13.3	T	100	ns
$t_{RDC}$	CLK output duty cycle	CLKOUT	SSCG = OFF, 10 to 75 MHz	40%	50%	60%
			SSCG = ON, 10 to 20 MHz	35%	59%	65%
			SSCG = ON, 10 to 65 MHz	40%	53%	60%
$t_{CLH}$	LVCMOS low-to-high transition time (see Figure 10)	DO[23:0], CO1, CO2, CO3	$V_{DDIO} = 1.8 \text{ V}$ , $C_L = 4 \text{ pF}$ , OS_CLKOUT/DATA = L		2.1	ns
			$V_{DDIO} = 3.3 \text{ V}$ , $C_L = 4 \text{ pF}$ , OS_CLKOUT/DATA = H		2	
$t_{CHL}$	LVCMOS high-to-low transition time (see Figure 10)	DO[23:0], CO1, CO2, CO3	$V_{DDIO} = 1.8 \text{ V}$ , $C_L = 4 \text{ pF}$ , OS_CLKOUT/DATA = L		1.6	ns
			$V_{DDIO} = 3.3 \text{ V}$ , $C_L = 4 \text{ pF}$ , OS_CLKOUT/DATA = H		1.5	
$t_{ROS}$	Data valid before CLKOUT, setup time (see Figure 14)	$V_{DDIO} = 1.71 \text{ to } 1.89 \text{ V}$ or 3 to 3.6 V, $C_L = 4 \text{ pF}$ (lumped load), DO[23:0], CO1, CO2, CO3	$0.23 \times T$	$0.5 \times T$		ns
$t_{ROH}$	Data valid after CLKOUT, hold time (see Figure 14)	$V_{DDIO} = 1.71 \text{ to } 1.89 \text{ V}$ or 3 to 3.6 V, $C_L = 4 \text{ pF}$ (lumped load), DO[23:0], CO1, CO2, CO3	$0.33 \times T$	$0.5 \times T$		ns
$t_{DDL T}$	Deserializer lock time (see Figure 13)	CLKOUT = 10 MHz, SSC[3:0] = OFF <sup>(1)</sup>		3		ms
		CLKOUT = 75 MHz, SSC[3:0] = OFF <sup>(1)</sup>		4		
		CLKOUT = 10 MHz, SSC[3:0] = ON <sup>(1)</sup>		30		
		CLKOUT = 65 MHz, SSC[3:0] = ON <sup>(1)</sup>		6		
$t_{DD}$	Deserializer delay, latency (see Figure 11)	CLKOUT = 10 to 75 MHz, SSC[3:0] = OFF <sup>(2)</sup>		$139 \times T$	$140 \times T$	ns

(1)  $t_{PLD}$  and  $t_{DDL T}$  is the time required by the serializer and deserializer, respectively, to obtain lock when exiting power-down state with an active clock.

(2) Specification is verified by design and is not tested in production.

### Switching Characteristics – Deserializer (continued)

Over recommended operating supply and temperature ranges (unless otherwise noted).

PARAMETER	TEST CONDITIONS	MIN	TYP	MAX	UNIT
$t_{DPJ}$ Deserializer period jitter	SSC[3:0] = OFF <sup>(3)(2)</sup>	CLKOUT = 10 MHz	500	1000	ps
		CLKOUT = 65 MHz	550	1250	
		CLKOUT = 75 MHz	435	900	
$t_{DCCJ}$ Deserializer cycle-to-cycle jitter	SSC[3:0] = OFF <sup>(4)(2)(5)</sup>	CLKOUT = 10 MHz	375	900	ps
		CLKOUT = 65 MHz	500	1150	
		CLKOUT = 75 MHz	460	1000	
$t_{IJT}$ Deserializer input jitter tolerance (see Figure 16)	EQ = OFF, SSCG = OFF, CLKOUT = 75 MHz	jitter freq < 2 MHz	0.9		UI <sup>(6)</sup>
		jitter freq > 6 MHz	0.5		
<b>BIST MODE</b>					
$t_{PASS}$ BIST PASS valid time (see Figure 17)	BISTEN = 1		1	10	$\mu$ s
<b>SSCG MODE</b>					
$f_{DEV}$ Spread spectrum clocking deviation frequency	CLKOUT = 10 to 65 MHz, SSC[3:0] = ON	$\pm 0.5\%$		$\pm 2\%$	
$f_{MOD}$ Spread spectrum clocking modulation frequency	CLKOUT = 10 to 65 MHz, SSC[3:0] = ON	8		100	kHz

- (3)  $t_{DPJ}$  is the maximum amount the period is allowed to deviate over many samples.
- (4) Specification is verified by characterization and is not tested in production.
- (5)  $t_{DCCJ}$  is the maximum amount of jitter between adjacent clock cycles.
- (6) UI – Unit Interval is equivalent to one serialized data bit width (1 UI = 1 / [28 x CLK]). The UI scales with clock frequency.

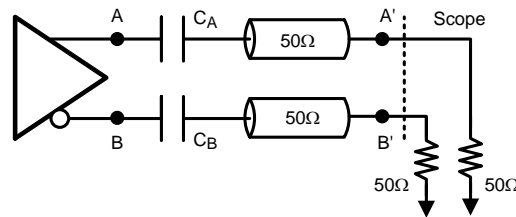


Figure 1. Serializer Test Circuit

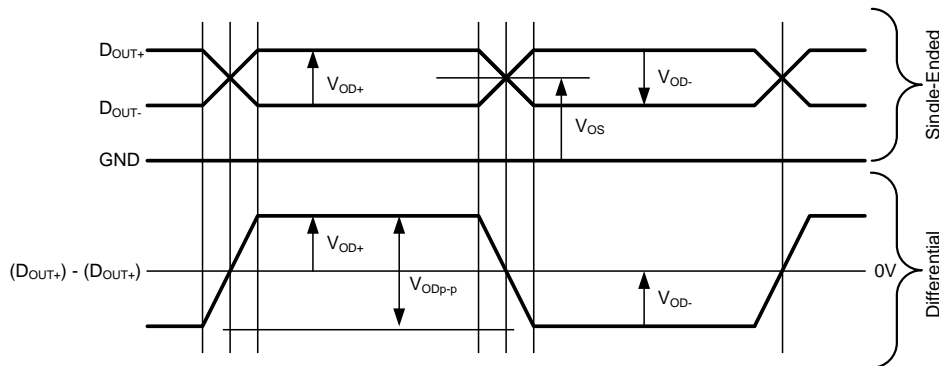


Figure 2. Serializer Output Waveforms



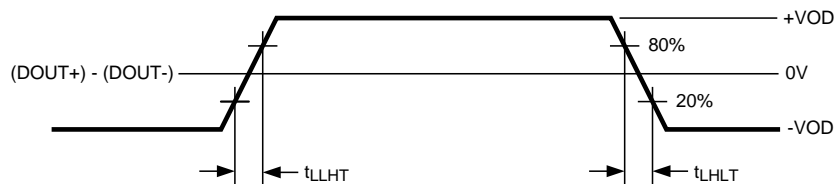


Figure 3. Serializer Output Transition Times

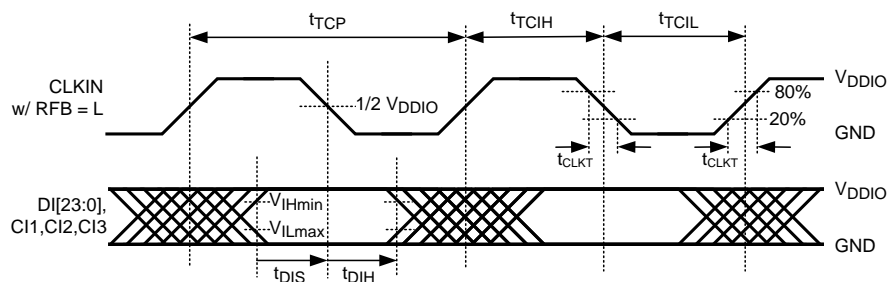


Figure 4. Serializer Input CLKIN Waveform and Set and Hold Times

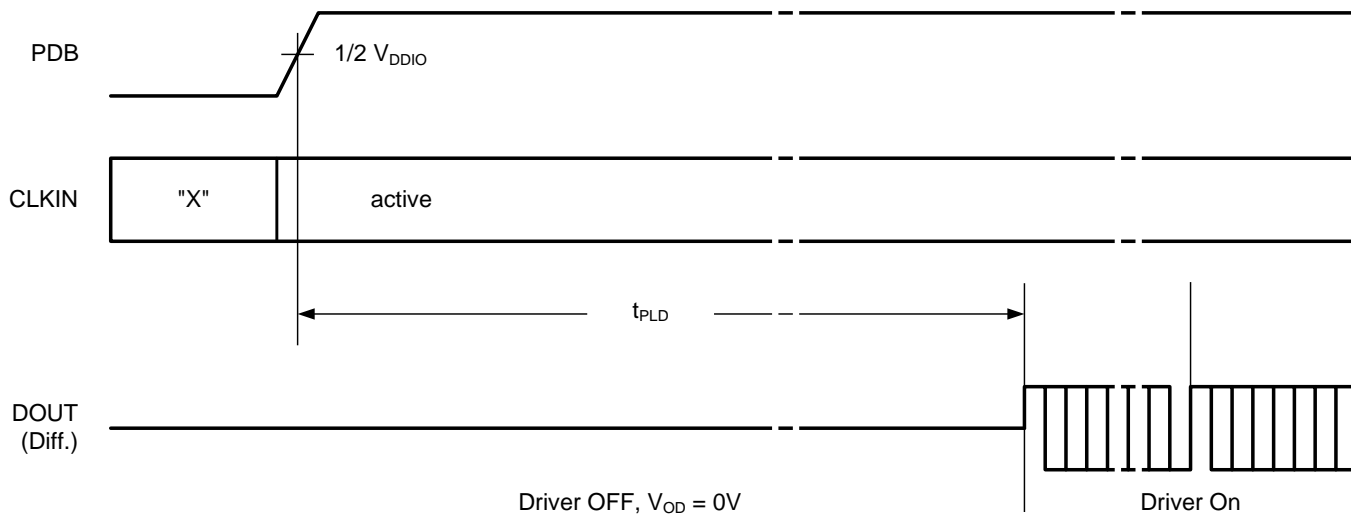


Figure 5. Serializer Lock Time

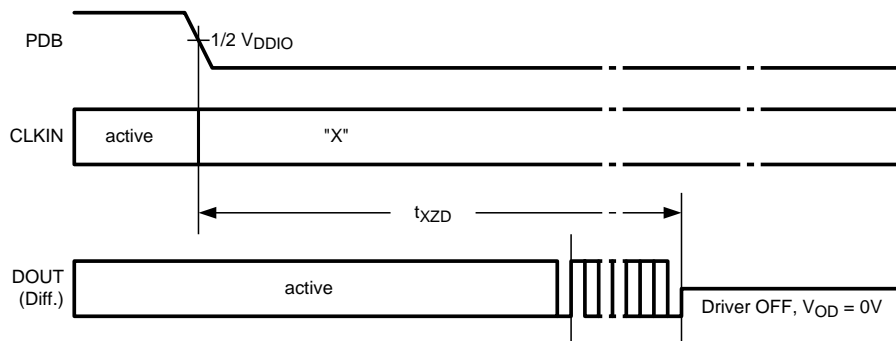


Figure 6. Serializer Disable Time

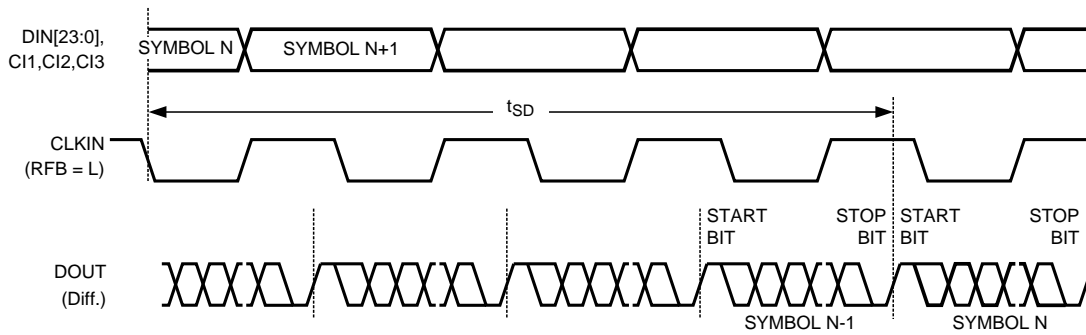


Figure 7. Serializer Latency Delay

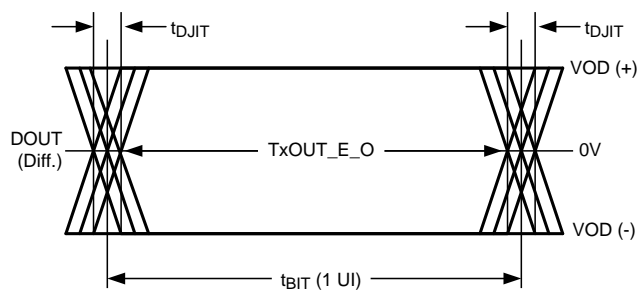


Figure 8. Serializer Output Jitter

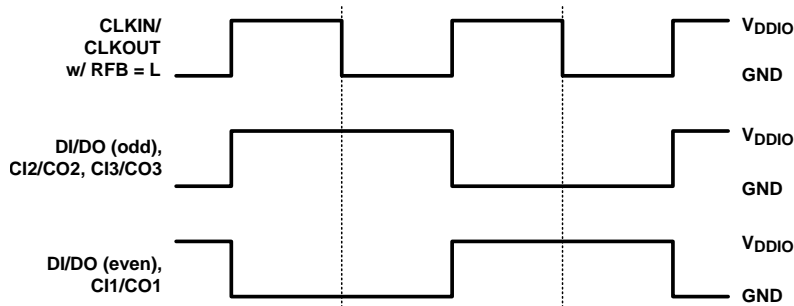


Figure 9. Checkerboard Data Pattern



Figure 10. Deserializer LVCMOS Transition Times

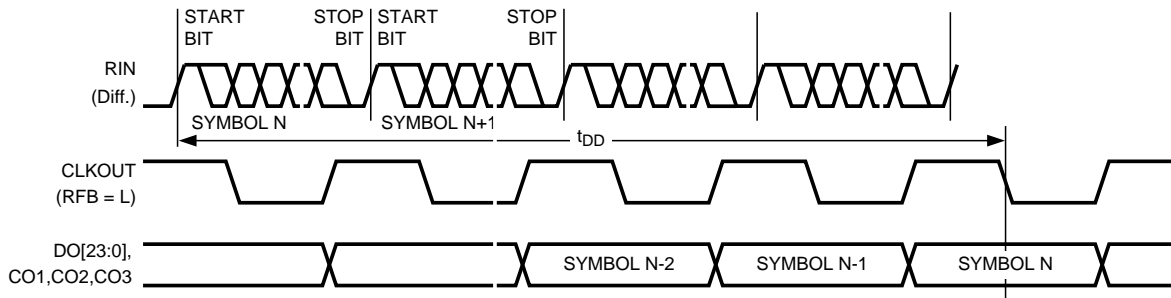


Figure 11. Deserializer Delay – Latency

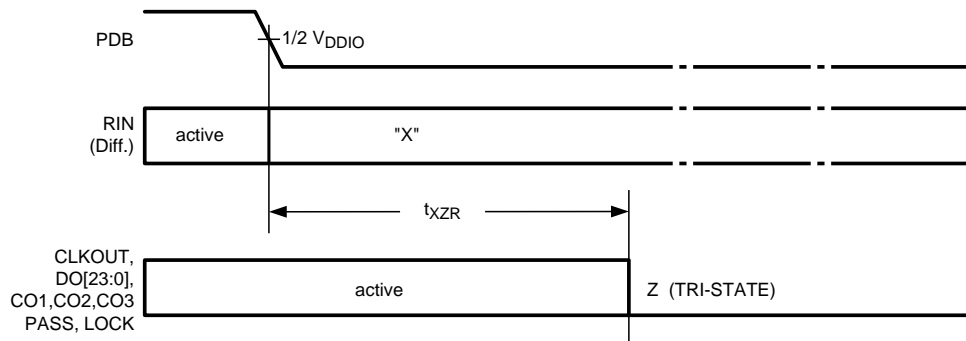


Figure 12. Deserializer Disable Time (OSS\_SEL = 0)

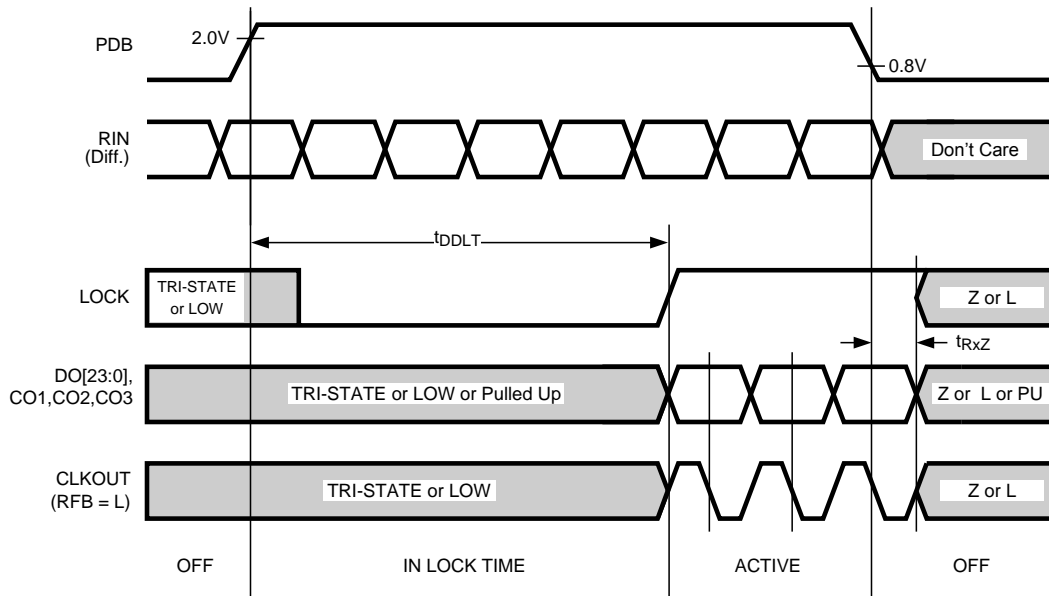


Figure 13. Deserializer PLL Lock Times and PDB Tri-State Delay

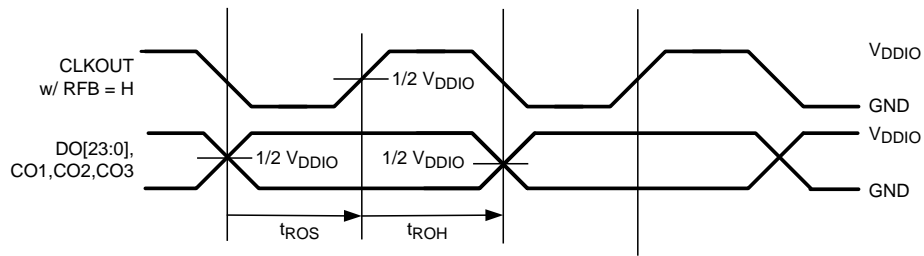


Figure 14. Deserializer Output Data Valid (Setup and Hold) Times With SSCG = Off

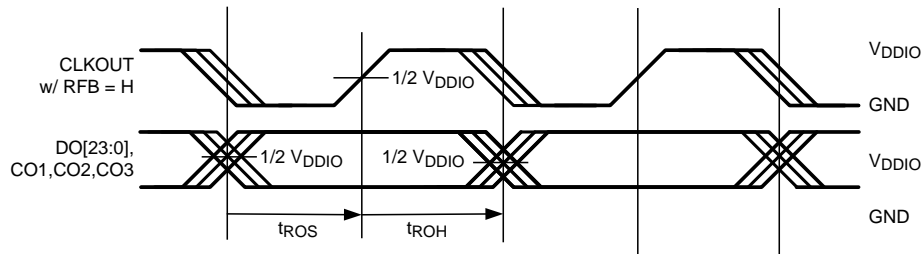


Figure 15. Deserializer Output Data Valid (Setup And Hold) Times With SSCG = On

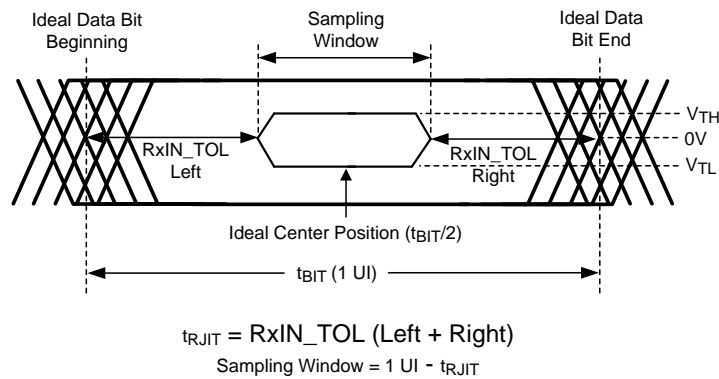


Figure 16. Receiver Input Jitter Tolerance

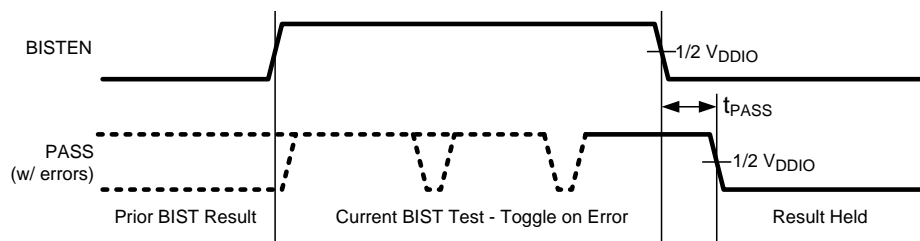


Figure 17. BIST Pass Waveform

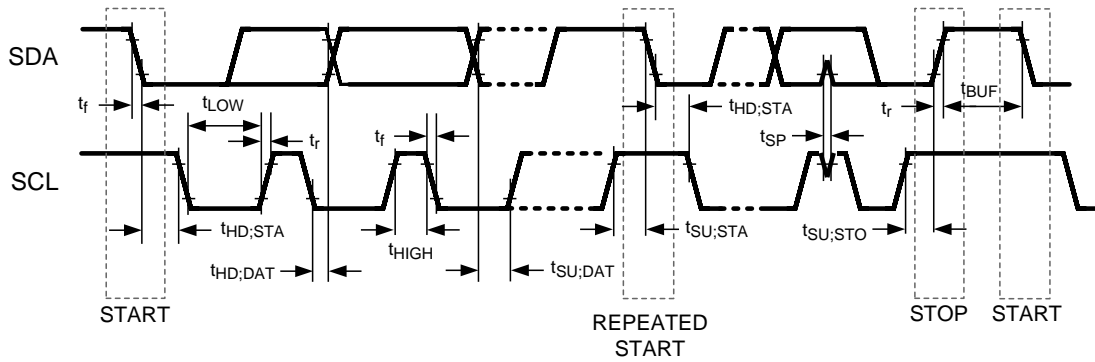
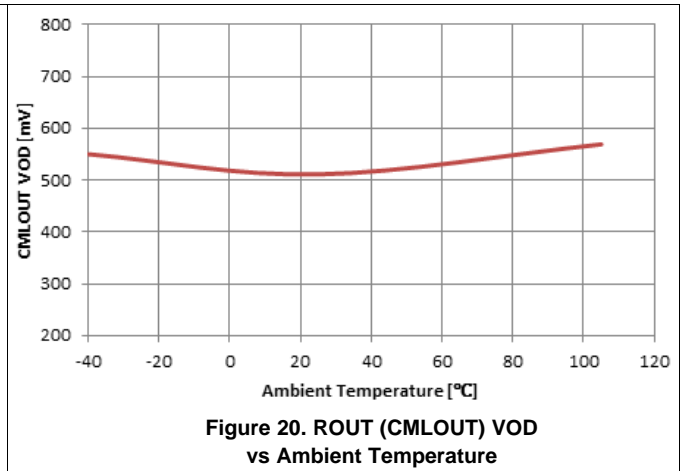
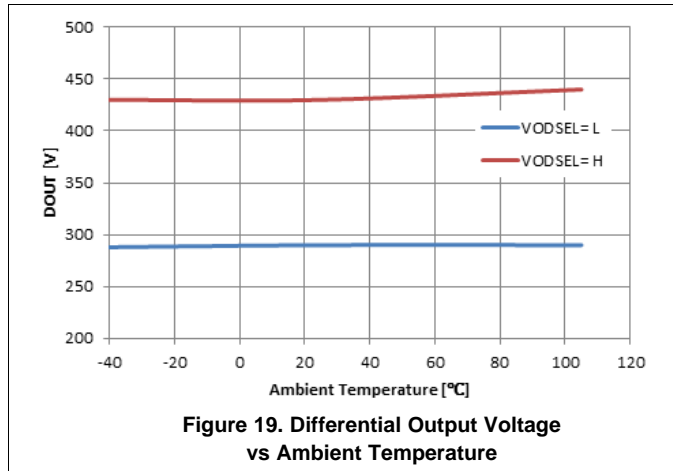


Figure 18. Serial Control Bus Timing Diagram

### 6.13 Typical Characteristics



## 7 Detailed Description

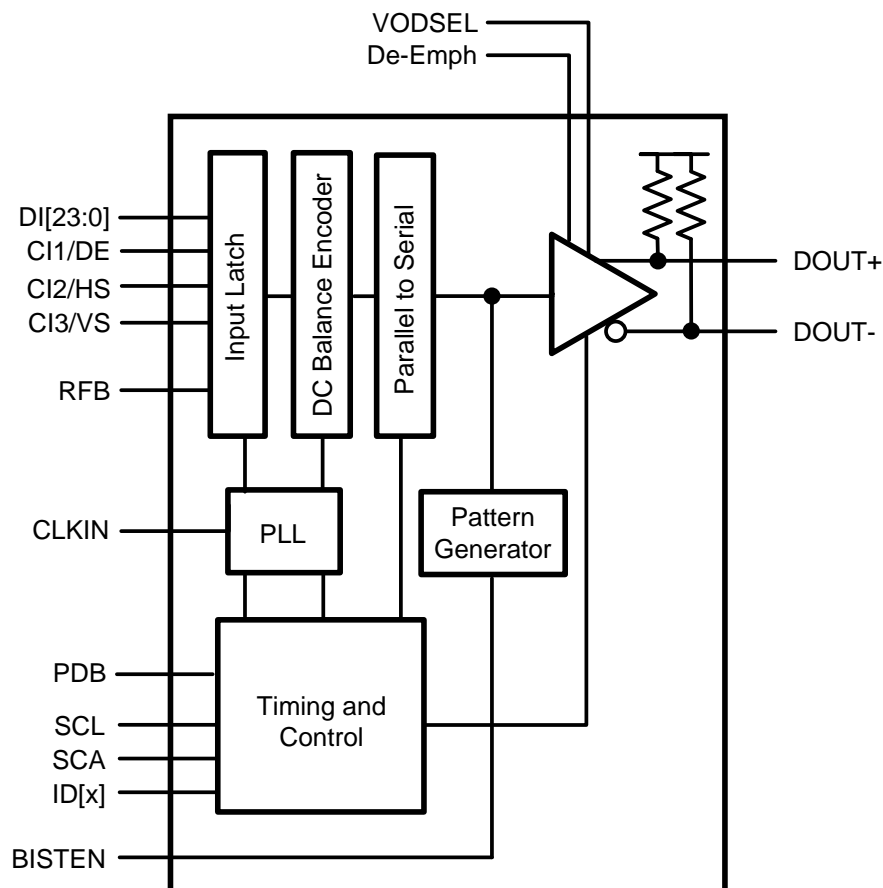
### 7.1 Overview

The DS92LV242x chipset transmits and receives 24 bits of data and 3 control signals over a single serial CML pair operating at 280 Mbps to 2.1 Gbps. The serial stream also contains an embedded clock, video control signals, and the DC-balance information which enhances signal quality and supports AC coupling.

The deserializer can attain lock to a data stream without the use of a separate reference clock source, which greatly simplifies system complexity and overall cost. The deserializer also synchronizes to the serializer regardless of the data pattern, delivering true automatic *plug and lock* performance. It can lock to the incoming serial stream without the need of special training patterns or sync characters. The deserializer recovers the clock and data by extracting the embedded clock information, validating, and then deserializing the incoming data stream, providing a parallel LVCMOS video bus to the display, ASIC, or FPGA.

The DS92LV242x chipset can operate in 24-bit color depth (with DE, HS, VS encoded within the serial data stream). In 18-bit color applications, the three video control signals may be sent encoded within the serial bit stream (restrictions apply, see [Video Control Signal Filter – Serializer and Deserializer](#)) along with six additional general-purpose signals.

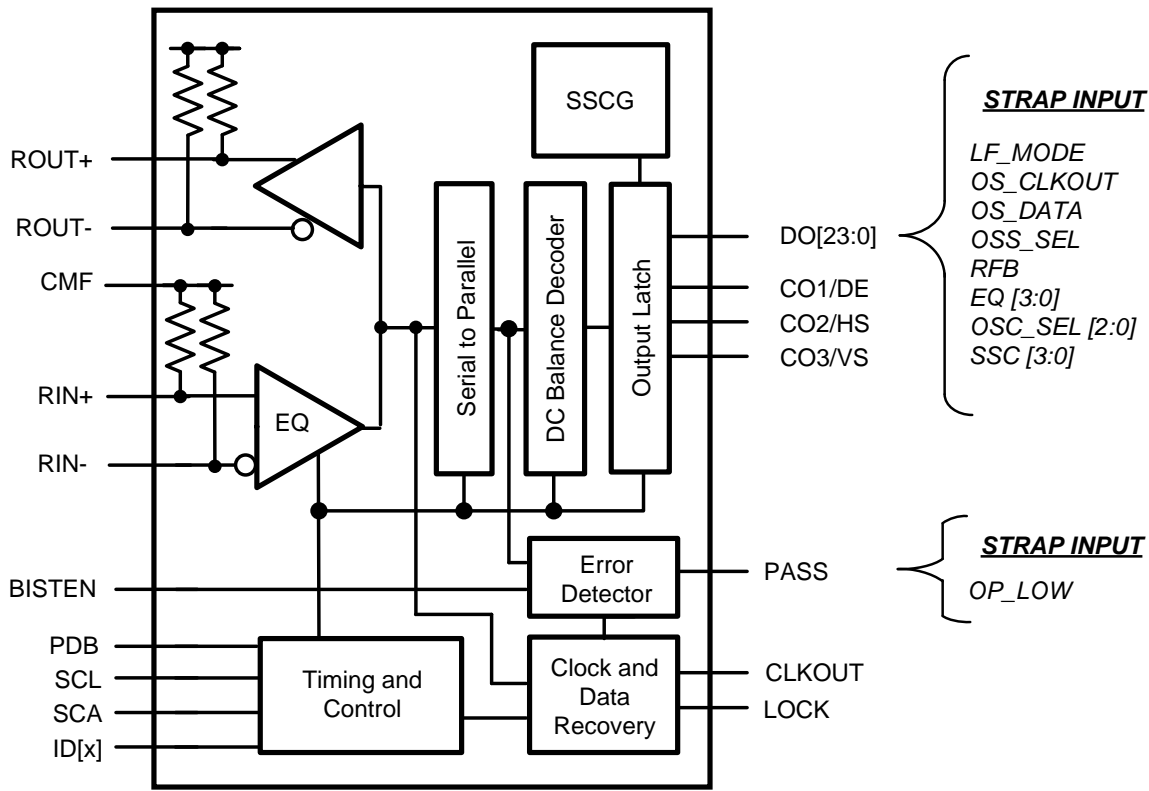
### 7.2 Functional Block Diagrams



Copyright © 2016, Texas Instruments Incorporated

**Figure 21. DS92LV2421 – Serializer**

Functional Block Diagrams (continued)



Copyright © 2016, Texas Instruments Incorporated

Figure 22. DS92LV2422 – Deserializer

7.3 Feature Description

7.3.1 Data Transfer

The DS92LV242x chipset transmits and receives a pixel of data in the following format: C1 and C0 represent the embedded clock in the serial stream. C1 is always high and C0 is always low. The b[23:0] contains the scrambled LVCMOS data. DCB is the DC-Balanced control bit. DCB is used to minimize the short and long-term DC bias on the signal lines. This bit determines if the data is unmodified or inverted. DCA is used to validate data integrity in the embedded data stream and can also contain encoded control (VS, HS, DE). Both DCA and DCB coding schemes are generated by the serializer and decoded by the deserializer automatically. Figure 23 illustrates the serial stream per clock cycle.

NOTE

Figure 23 only illustrates the bits but does not actually represent the bit location as the bits are scrambled and balanced continuously.

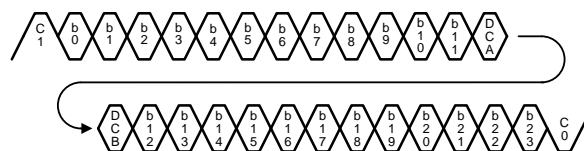


Figure 23. Channel Link II Serial Stream (DS92LV242x)

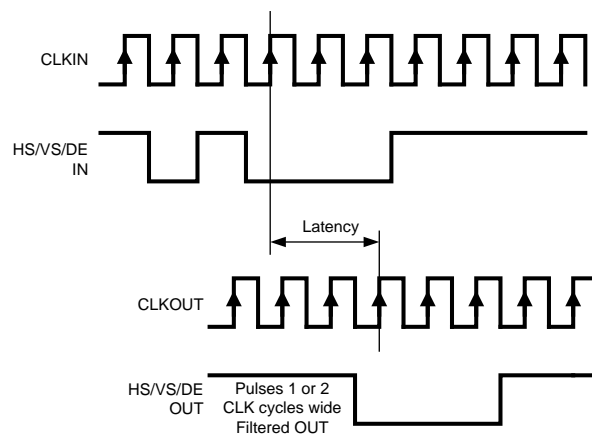
## Feature Description (continued)

### 7.3.2 Video Control Signal Filter – Serializer and Deserializer

When operating the devices in normal mode, the video control signals (DE, HS, VS) have the following restrictions:

- Normal mode with control signal filter enabled:
  - DE and HS: Only 2 transitions per 130 clock cycles are transmitted, the transition pulse must be 3 CLK cycles or longer.
- Normal mode with control signal filter disabled:
  - DE and HS: Only 2 transitions per 130 clock cycles are transmitted, no restriction on minimum transition pulse.
- VS: Only 1 transition per 130 clock cycles are transmitted, minimum pulse width is 130 clock cycles.

Video control signals are defined as low frequency signals with limited transitions. Glitches of a control signal can cause a visual display error. This feature allows for the chipset to validate and filter out any high frequency noise on the control signals (see [Figure 24](#)).



**Figure 24. Video Control Signal Filter Waveform**

### 7.3.3 Serializer Functional Description

The serializer converts a wide parallel input bus to a single serial output data stream and also acts as a signal generator for the chipset Built In Self Test (BIST) mode. The device can be configured through external pins or through the optional serial control bus. The serializer features enhance signal quality on the link by supporting: a selectable VOD level, a selectable de-emphasis signal conditioning, and Channel Link II data coding that provides randomization, scrambling, and DC balancing of the data. The serializer includes multiple features to reduce EMI associated with display data transmission. This includes the randomization and scrambling of the data and system spread spectrum clock support. The serializer features power-saving features with a sleep mode, auto stop clock feature, and optional LVCMOS (1.8 V) parallel bus compatibility (see also [Optional Serial Bus Control](#) and [Built-In Self Test \(BIST\)](#)).

#### 7.3.3.1 EMI Reduction Features

##### 7.3.3.1.1 Data Randomization and Scrambling

Channel Link II serializers and deserializers feature a three-step encoding process that enables the use of AC-coupled interconnects and also helps to manage EMI. The serializer first passes the parallel data through a scrambler which randomizes the data. The randomized data is then DC-balanced. The DC-balanced and randomized data then goes through a bit-shuffling circuit and is transmitted out on the serial line. This encoding process helps to prevent static data patterns on the serial stream. The resulting frequency content of the serial stream ranges from the parallel clock frequency to the serial Nyquist rate. For example, if the serializer and deserializer chip set is operating at a parallel clock frequency of 75 MHz, the resulting frequency content of serial stream ranges from 75 MHz to 1.05 GHz ( $75 \text{ MHz} \times 28 \text{ bits} / 2 = 2.1 \text{ GHz} / 2 = 1.05 \text{ GHz}$ ).



## Feature Description (continued)

### 7.3.3.1.2 Serializer Spread Spectrum Compatibility

The serializer CLKIN is capable of tracking spread spectrum clocking (SSC) from a host source. The CLKIN accepts spread spectrum tracking up to 35-kHz modulation and  $\pm 0.5$ ,  $\pm 1$ , or  $\pm 2\%$  deviations (center spread). The maximum conditions for the CLKIN input are: a modulation frequency of 35 kHz and amplitude deviations of  $\pm 2\%$  (4% total).

### 7.3.3.2 Signal Quality Enhancers

#### 7.3.3.2.1 Serializer VOD Select (VODSEL)

The serializer differential output voltage may be increased by setting the VODSEL pin high. When VODSEL is low, the DC VOD is at the standard (default) level. When VODSEL is high, the VOD is increased in level. The increased VOD is useful in extremely high noise environments and also on extra long cable length applications. When using de-emphasis, TI recommends setting VODSEL = H to avoid excessive signal attenuation, especially with the larger de-emphasis settings. This feature may be controlled by the external pin or by register.

**Table 2. Differential Output Voltage**

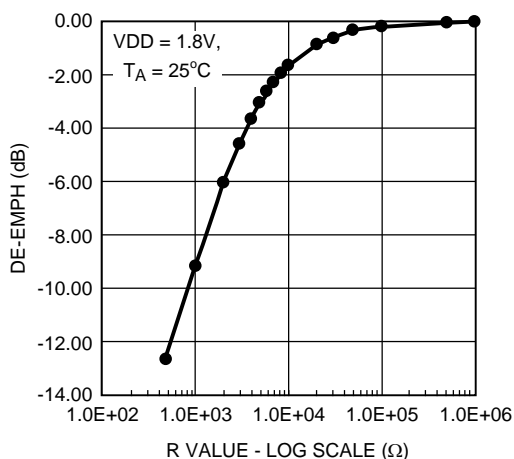
INPUT	EFFECT	
	VOD (mV)	VOD (mV <sub>p-p</sub> )
H	$\pm 420$	840
L	$\pm 280$	560

#### 7.3.3.2.2 Serializer De-Emphasis (De-Emph)

The de-emphasis pin controls the amount of de-emphasis beginning one full bit time after a logic transition that the serializer drives. This is useful to counteract loading effects of long or lossy cables. This pin must be left open for standard switching currents (no de-emphasis) or if controlled by register. De-emphasis is selected by connecting a resistor on this pin to ground, with R value between 0.5 k $\Omega$  to 1 M $\Omega$ , or by register setting. When using de-emphasis, TI recommends to set VODSEL = H.

**Table 3. De-Emphasis Resistor Value**

RESISTOR VALUE (k $\Omega$ )	DE-EMPHASIS SETTING
Open	Disabled
0.6	-12 dB
1	-9 dB
2	-6 dB
5	-3 dB



**Figure 25. De-Emphasis vs R Value**

### 7.3.3.3 Power-Saving Features

#### 7.3.3.3.1 Serializer Power-Down Feature (PDB)

The serializer has a PDB input pin to enable or power down the device. This pin is controlled by the host and is used to save power, disabling the link when it is not needed. In power-down mode, the high-speed driver outputs are both pulled to VDD and present a 0-V VOD state.

---

**NOTE**

In power down, the optional serial bus control registers are RESET.

---

#### 7.3.3.3.2 Serializer Stop Clock Feature

The serializer enters a low power SLEEP state when the CLKIN is stopped. A STOP condition is detected when the input clock frequency is less than 3 MHz. The clock must be held at a static low or high state. When the CLKIN starts again, the serializer locks to the valid input clock and then transmits the serial data to the deserializer.

---

**NOTE**

In STOP CLOCK SLEEP, the optional serial bus control register values are RETAINED.

---

#### 7.3.3.3.3 1.8-V or 3.3-V VDDIO Operation

The serializer parallel bus and serial bus interface can operate with 1.8-V or 3.3-V levels ( $V_{DDIO}$ ) for host compatibility. The 1.8-V levels offer lower noise (EMI) and also system power savings.

#### 7.3.3.3.4 Deserializer Power-Down Feature (PDB)

The deserializer has a PDB input pin to enable or power down the device. This pin can be controlled by the system to save power, disabling the deserializer when the display is not needed. An auto-detect mode is also available. In this mode, the PDB pin is tied high and the deserializer enters power down when the serial stream stops. When the serial stream starts up again, the deserializer locks to the input stream and assert the LOCK pin and output valid data. In power-down mode, the data and CLKOUT output states are determined by the OSS\_SEL status.

---

**NOTE**

In power down, the optional serial bus control registers are RESET.

---

#### 7.3.3.3.5 Deserializer Stop Stream SLEEP Feature

The deserializer enters a low power SLEEP state when the input serial stream is stopped. A STOP condition is detected when the embedded clock bits are not present. When the serial stream starts again, the deserializer then locks to the incoming signal and recover the data.

---

**NOTE**

In STOP STREAM SLEEP, the optional serial bus control registers values are RETAINED.

---

#### 7.3.3.4 Serializer Pixel Clock Edge Select (RFB)

The RFB pin determines the edge that the data is latched on. If RFB is high, input data is latched on the rising edge of the CLKIN. If RFB is low, input data is latched on the falling edge of the CLKIN. Serializer and deserializer may be set differently. This feature may be controlled by the external pin or by register.

#### 7.3.3.5 Optional Serial Bus Control

See [Optional Serial Bus Control](#).

### 7.3.3.6 Optional BIST Mode

See [Built-In Self Test \(BIST\)](#).

## 7.3.4 Deserializer Functional Description

The deserializer converts a single input serial data stream to a wide parallel output bus and also provides a signal check for the chipset Built-In Self Test (BIST) mode. The device can be configured through external pins and strap pins or through the optional serial control bus. The deserializer features enhance signal quality on the link by supporting an equalizer input and Channel Link II data coding that provides randomization, scrambling, and DC balancing of the data. The deserializer includes multiple features to reduce EMI associated with display data transmission. This includes the randomization and scrambling of the data and output spread spectrum clock generation (SSCG) support. The deserializer features power-saving features with a power-down mode and optional LVCMOS (1.8 V) interface compatibility.

### 7.3.4.1 Signal Quality Enhancers

#### 7.3.4.1.1 Deserializer Input Equalizer Gain (EQ)

The deserializer can enable receiver input equalization of the serial stream to increase the eye opening to the deserializer input.

#### NOTE

This function cannot be seen at the RxIN± input but can be observed at the serial test port (ROUT±) enabled through the serial bus control registers. The equalization feature may be controlled by the external pin or by register.

**Table 4. Receiver Equalization Configuration Table**

INPUTS				EFFECT
EQ3	EQ2	EQ1	EQ0	
L	L	L	H	≈1.5 dB
L	L	H	H	≈3 dB
L	H	L	H	≈4.5 dB
L	H	H	H	≈6 dB
H	L	L	H	≈7.5 dB
H	L	H	H	≈9 dB
H	H	L	H	≈10.5 dB
H	H	H	H	≈12 dB
X	X	X	L	OFF <sup>(1)</sup>

(1) Default Setting is EQ = Off

### 7.3.4.2 EMI Reduction Features

#### 7.3.4.2.1 Deserializer Output Slew Rate Select (OS\_CLKOUT/OS\_DATA)

The parallel bus outputs (DO[23:0], CO[3:1], and CLKOUT) of the deserializer feature a selectable output slew. The DATA (DO[23:0], CO[3:1]) are controlled by strap pin or register bit OS\_DATA. The CLKOUT is controlled by strap pin or register bit OS\_CLKOUT. When the OS\_CLKOUT/DATA = H, the maximum slew rate is selected. When the OS\_PCLK/DATA = L, the minimum slew rate is selected. Use the higher slew rate setting when driving longer traces or a heavier capacitive load.

#### 7.3.4.2.2 Deserializer Common-Mode Filter Pin (CMF) (Optional)

The deserializer provides access to the center tap of the internal termination. A capacitor may be placed on this pin for additional common-mode filtering of the differential pair. This can be useful in high-noise environments for additional noise rejection capability. A 4.7-μF capacitor may be connected from this pin to Ground.

7.3.4.2.3 Deserializer SSCG Generation (Optional)

The deserializer provides an internally generated spread spectrum clock (SSCG) to modulate its outputs. Both clock and data outputs are modulated. This aids to lower system EMI. Output SSCG deviations of  $\pm 2\%$  (4% total) at up to 100-kHz modulations are available (see Table 5). This feature may be controlled by external strap pins or by register.

**NOTE**

The device supports SSCG function with CLKOUT = 10 MHz to 65 MHz. When the CLKOUT = 65 MHz to 75 MHz, it is required to disable the SSCG function (SSC[3:0] = 0000).

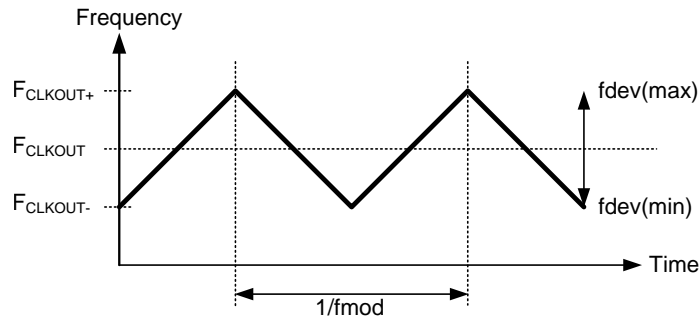


Figure 26. SSCG Waveform

Table 5. SSCG Configuration (LF\_MODE = L) – Deserializer Output

SSC[3:0] INPUTS LF_MODE = L (20 - 65 MHz)				RESULT	
SSC3	SSC2	SSC1	SSC0	fdev (%)	fmod (kHz)
L	L	L	L	Off	Off
L	L	L	H	$\pm 0.5$	CLK/2168
L	L	H	L	$\pm 1$	
L	L	H	H	$\pm 1.5$	
L	H	L	L	$\pm 2$	
L	H	L	H	$\pm 0.5$	CLK/1300
L	H	H	L	$\pm 1$	
L	H	H	H	$\pm 1.5$	
H	L	L	L	$\pm 2$	
H	L	H	L	$\pm 0.5$	CLK/868
H	L	H	H	$\pm 1$	
H	L	H	H	$\pm 1.5$	
H	H	L	L	$\pm 2$	
H	H	L	H	$\pm 0.5$	CLK/650
H	H	H	L	$\pm 1$	
H	H	H	H	$\pm 1.5$	
H	H	H	H	$\pm 1.5$	

**Table 6. SSCG Configuration (LF\_MODE = H) – Deserializer Output**

SSC[3:0] INPUTS LF_MODE = H (10 - 20 MHz)				RESULT	
SSC3	SSC2	SSC1	SSC0	fdev (%)	fmod (kHz)
L	L	L	L	Off	Off
L	L	L	H	±0.5	CLK/620
L	L	H	L	±1	
L	L	H	H	±1.5	
L	H	L	L	±2	
L	H	L	H	±0.5	CLK/370
L	H	H	L	±1	
L	H	H	H	±1.5	
H	L	L	L	±2	
H	L	L	H	±0.5	CLK/258
H	L	H	L	±1	
H	L	H	H	±1.5	
H	H	L	L	±2	
H	H	L	H	±0.5	CLK/192
H	H	H	L	±1	
H	H	H	H	±1.5	

#### 7.3.4.2.4 1.8-V or 3.3-V VDDIO Operation

The deserializer parallel bus and serial bus interface can operate with 1.8-V or 3.3-V levels ( $V_{DDIO}$ ) for target (display) compatibility. The 1.8-V levels offer a lower noise (EMI) and also system power savings.

#### 7.3.4.3 Deserializer Clock-Data Recovery Status Flag (LOCK) And Output State Select (OSS\_SEL)

When PDB is driven high, the CDR PLL begins locking to the serial input and LOCK goes from TRI-STATE to low (depending on the value of the OSS\_SEL setting). After the DS92LV2422 completes its lock sequence to the input serial data, the LOCK output is driven high, indicating valid data and clock recovered from the serial input is available on the parallel bus and clock outputs. The CLKOUT output is held at its current state at the change from OSC\_CLK (if this is enabled through OSC\_SEL) to the recovered clock (or vice versa).

If there is a loss of clock from the input serial stream, LOCK is driven low and the state of the outputs are based on the OSS\_SEL setting (strap pin configuration or register).

#### 7.3.4.4 Deserializer Oscillator Output (Optional)

The deserializer provides an optional clock output when the input clock (serial stream) has been lost. This is based on an internal oscillator. The frequency of the oscillator may be selected. This feature may be controlled by the external pin or by register (see [Table 8](#) and [Table 9](#)).

**Table 7. OSS\_SEL and PDB Configuration (Deserializer Outputs)**

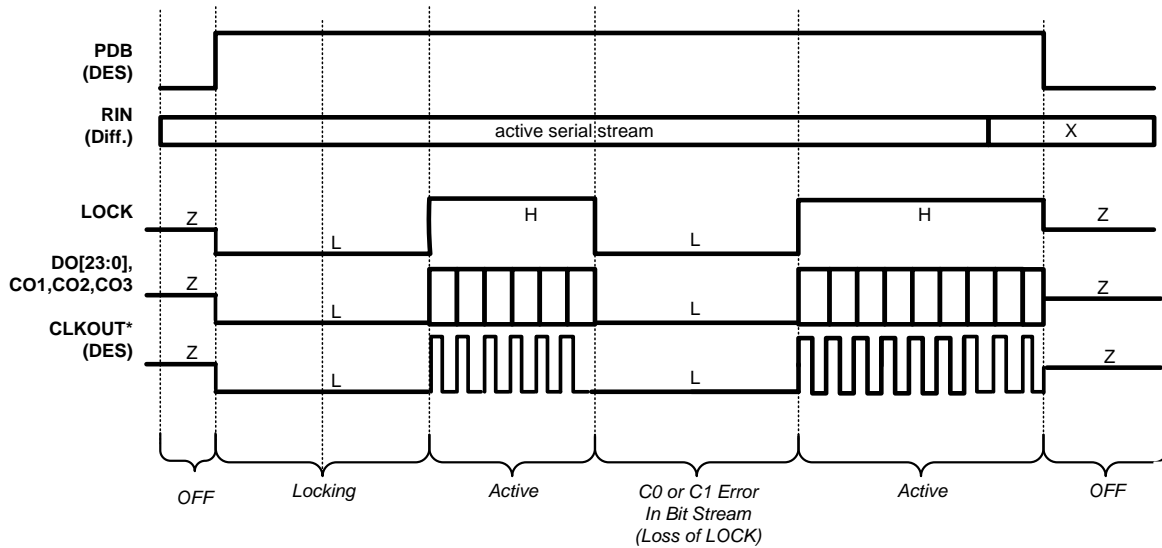
SERIAL INPUT	INPUTS		OUTPUTS			
	PDB	OSS_SEL	CLKOUT	DO[23:0], CO1, CO2, CO3	LOCK	PASS
X	L	L	Z	Z	Z	Z
X	L	H	Z	Z	Z	Z
Static	H	L	L	L	L	L
Static	H	H	Z	Z <sup>(1)</sup>	L	L
Active	H	X	Active	Active	H	H

(1) If DO[23:0], CO[3:1] pin is strapped high, the output is pulled up.

**Table 8. OSC (Oscillator) Mode — Deserializer Output**

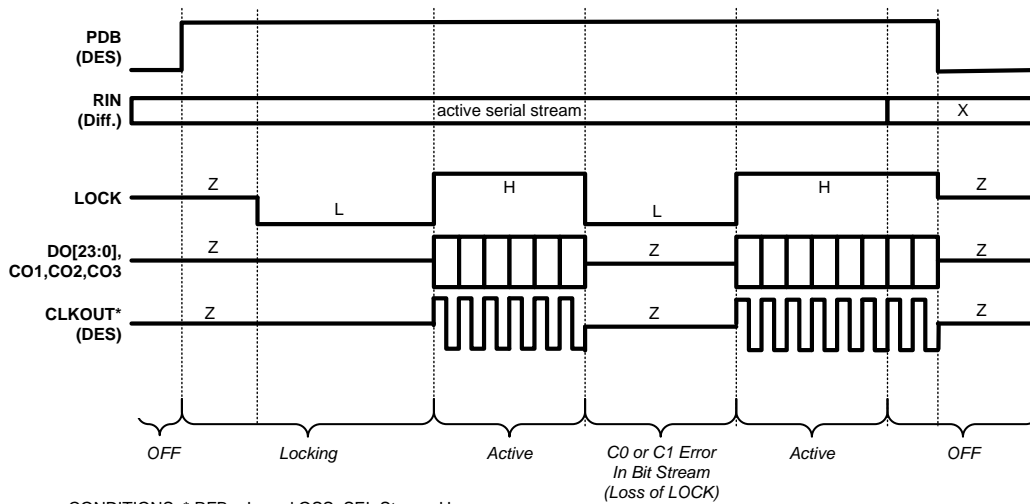
INPUTS	OUTPUTS			
EMBEDDED CLK	CLKOUT	DO[23:0], CO1, CO2, CO3	LOCK	PASS
See <sup>(1)</sup>	OSC Output	L	L	H
Present	Toggleing	Active	H	H

(1) Absent and OSC\_SEL ≠ 000.



CONDITIONS: \* RFB = L, and OSS\_SEL Strap = L

**Figure 27. Deserializer Outputs With Output State Select Low (OSS\_SEL = L)**



CONDITIONS: \* RFB = L, and OSS\_SEL Strap = H

**Figure 28. Deserializer Outputs With Output State Select High (OSS\_SEL = H)**

**Table 9. OSC\_SEL (Oscillator) Configuration**

OSC_SEL[2:0] INPUTS			CLKOUT OSCILLATOR FREQUENCY
OSC_SEL2	OSC_SEL1	OSC_SEL0	
L	L	L	Off – Feature Disabled – Default

Table 9. OSC\_SEL (Oscillator) Configuration (continued)

OSC_SEL[2:0] INPUTS			CLKOUT OSCILLATOR FREQUENCY
OSC_SEL2	OSC_SEL1	OSC_SEL0	
L	L	H	50 MHz ± 40%
L	H	L	25 MHz ± 40%
L	H	H	16.7 MHz ± 40%
H	L	L	12.5 MHz ± 40%
H	L	H	10 MHz ± 40%
H	H	L	8.3 MHz ± 40%
H	H	H	6.3 MHz ± 40%

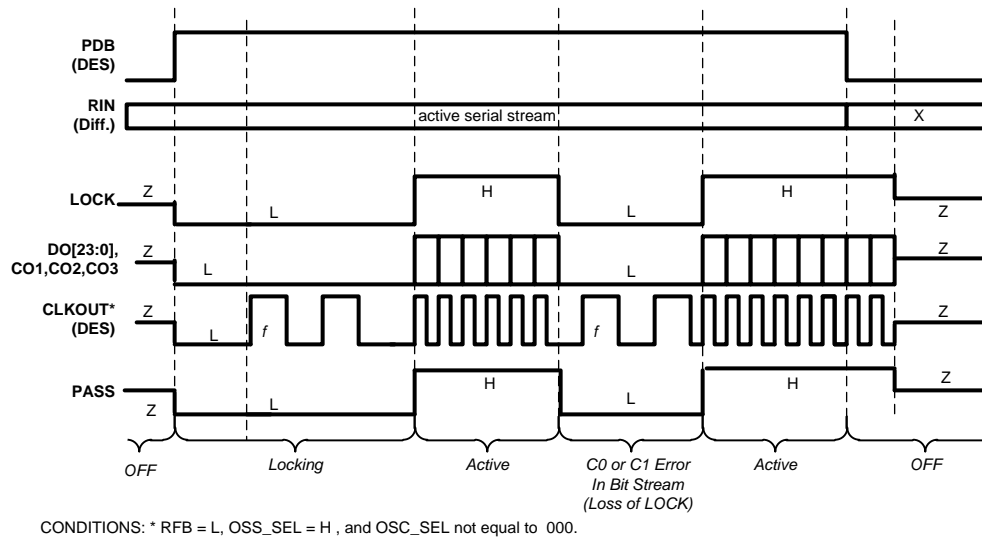


Figure 29. Deserializer Outputs With Output State High and CLKOUT Oscillator Option Enabled

### 7.3.4.5 Deserializer OP\_LOW (Optional)

The OP\_LOW feature is used to hold the LVCMOS outputs (except for the LOCK output) at a low state. The user must toggle the OP\_LOW set / reset register bit to release the outputs to the normal toggling state.

#### NOTE

The release of the outputs can only occur when LOCK is high. When the OP\_LOW feature is enabled, anytime LOCK = low, the LVCMOS outputs toggle to a low state again. The OP\_LOW strap pin feature is assigned to output PASS pin 42.

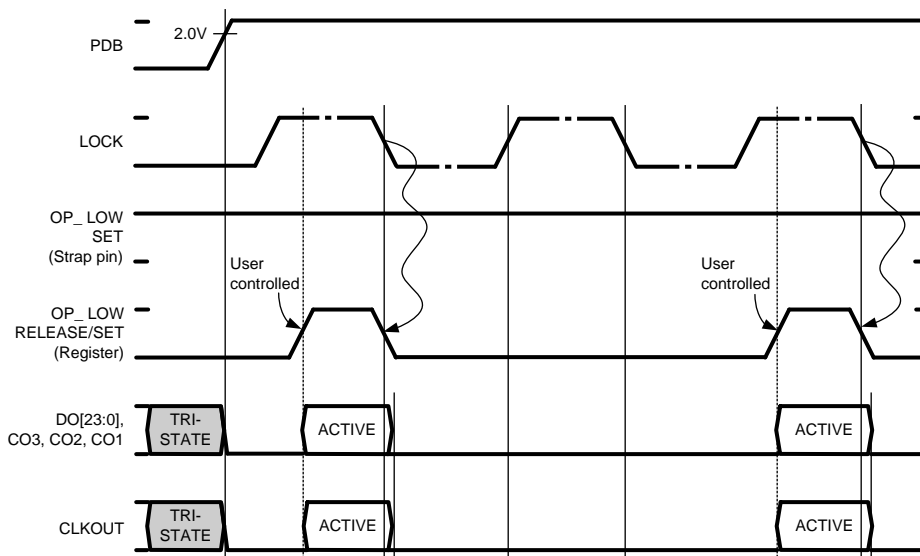
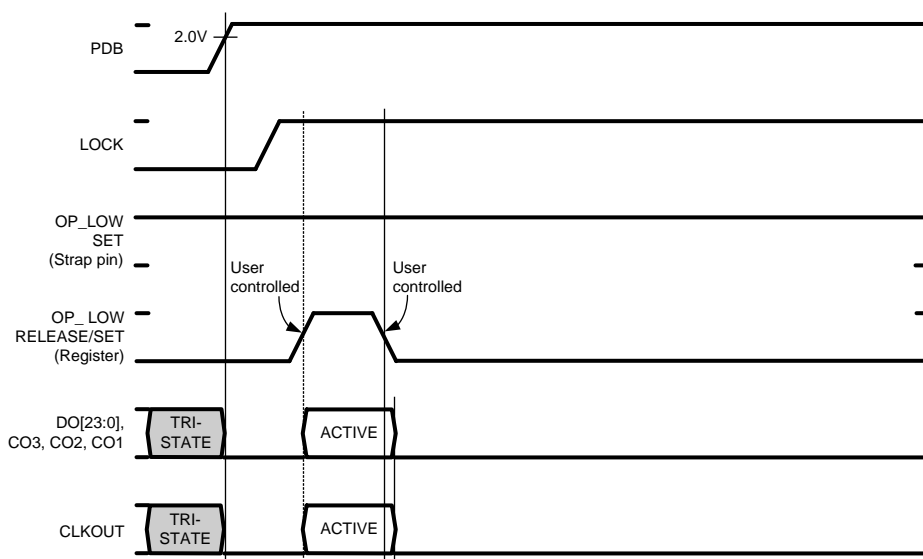
Restrictions on other straps:

1. Other straps must not be used to keep the data and clock outputs at a true low state. Other features must be selected through I<sup>2</sup>C.
2. The OSS\_SEL function is not available when OP\_LOW is enabled (tied high).

Outputs DO[23:0], CO[3:1], and CLKOUT are in TRI-STATE before PDB toggles high, because the OP\_LOW strap value has not been recognized until the DS92LV2422 powers up. Figure 30 shows the user controlled release of OP\_LOW and automatic reset of OP\_LOW set on the falling edge of LOCK. Figure 31 shows the user controlled release of OP\_LOW and manual reset of OP\_LOW set.

#### NOTE

Manual reset of OP\_LOW can only occur when LOCK is high.


**Figure 30. OP\_LOW Auto Set**

**Figure 31. OP\_LOW Manual Set or Reset**

#### 7.3.4.6 Deserializer Clock Edge Select (RFB)

The RFB pin determines the edge that the data is strobed on. If RFB is high, output data is strobed on the rising edge of CLKOUT. If RFB is low, data is strobed on the falling edge of CLKOUT. This allows for inter-operability with downstream devices. The deserializer output does not need to use the same edge as the serializer input. This feature may be controlled by the external pin or by register.

#### 7.3.4.7 Deserializer Control Signal Filter (Optional)

The deserializer provides an optional control signal (C3, C2, C1) filter that monitors the three control signals and eliminates any pulses or glitches that are 1 or 2 CLKOUT periods wide. Control signals must be 3 parallel clock periods wide (in its high or low state, regardless of which state is active). This is set by the CONFIG[1:0] strap option or by I<sup>2</sup>C register control.



### 7.3.4.8 Deserializer Low Frequency Optimization (LF\_Mode)

This feature may be controlled by the external pin or by register.

### 7.3.4.9 Deserializer Map Select

This feature may be controlled by the external pin or by register.

**Table 10. Map Select Configuration**

INPUTS		EFFECT
MAP_SEL1	MAP_SEL0	
L	L	Bit 4, Bit 5 on LSB DEFAULT
L	H	LSB 0 or 1
H	H or L	LSB 0

### 7.3.4.10 Deserializer Strap Input Pins

Configuration of the device may be done through configuration input pins and the strap input pins, or through the serial control bus. The strap input pins share select parallel bus output pins. They are used to load in configuration values during the initial power-up sequence of the device. Only a pullup on the pin is required when a high is desired. By default, the pad has an internal pulldown and bias low by itself. The recommended value of the pullup is 10 k $\Omega$  to  $V_{DDIO}$ ; open (NC) for low, because no pulldown is required (internal pulldown). If using the serial control bus, no pullups are required.

### 7.3.4.11 Optional Serial Bus Control

See [Optional Serial Bus Control](#).

### 7.3.4.12 Optional BIST Mode

See [Built-In Self Test \(BIST\)](#).

## 7.3.5 Built-In Self Test (BIST)

An optional At-Speed Built-In Self Test (BIST) feature supports the testing of the high-speed serial link. This is useful in the prototype stage, equipment production, in-system test, and for system diagnostics. In BIST mode, only an input clock is required along with control to the serializer and deserializer BISTEN input pins. The serializer outputs a test pattern (PRBS-7) and drives the link at speed. The deserializer detects the PRBS-7 pattern and monitors it for errors. A PASS output pin toggles to flag any payloads that are received with 1 to 24 errors. Upon completion of the test, the result of the test is held on the PASS output until reset (new BIST test or power down). A high on PASS indicates NO ERRORS were detected. A low on PASS indicates one or more errors were detected. The duration of the test is controlled by the pulse width applied to the deserializer BISTEN pin. During the BIST duration, the deserializer data outputs toggle with a checkerboard pattern.

Inter-operability is supported between this Channel Link II device and all Channel Link II generations (Gen 1, 2, 3). See [Sample BIST Sequence](#) for entering BIST mode and control.

### 7.3.5.1 Sample BIST Sequence

See [Figure 32](#) for the BIST mode flow diagram.

Step 1: Place the DS92LV2421 serializer in BIST Mode by setting serializer BISTEN = H. For the DS92LV2421 serializer or DS99R421-Q1 FPD-Link II serializer, BIST Mode is enabled through the BISTEN pin. For the DS90C241 serializer or DS90UR241 serializer, BIST mode is entered by setting all the input data of the device to a low state. A CLKIN is required for BIST. When the deserializer detects the BIST mode pattern and command (DCA and DCB code), the data and control signal outputs are shut off.

Step 2: Place the DS92LV2422 deserializer in BIST mode by setting BISTEN = H. The deserializer is now in BIST mode and checks the incoming serial payloads for errors. If an error in the payload (1 to 24) is detected, the PASS pin switches low for one half of the clock period. During the BIST test, the PASS output can be monitored and counted to determine the payload error rate.

Step 3: To stop BIST mode, the deserializer BISTEN pin is set low. The deserializer stops checking the data, and the final test result is held on the PASS pin. If the test ran error free, the PASS output is high. If there was one or more errors detected, the PASS output is low. The PASS output state is held until a new BIST is run, the device is RESET, or powered down. The BIST duration is user controlled by the duration of the BISTEN signal.

Step 4: To return the link to normal operation, the serializer BISTEN input is set low. The Link returns to normal operation.

Figure 33 shows the waveform diagram of a typical BIST test for two cases. Case 1 is error-free, and Case 2 shows one with multiple errors. In most cases, it is difficult to generate errors due to the robustness of the link (differential data transmission and so forth), thus they may be introduced by greatly extending the cable length, faulting the interconnect, or reducing signal condition enhancements (de-emphasis, VODSEL, or Rx equalization).

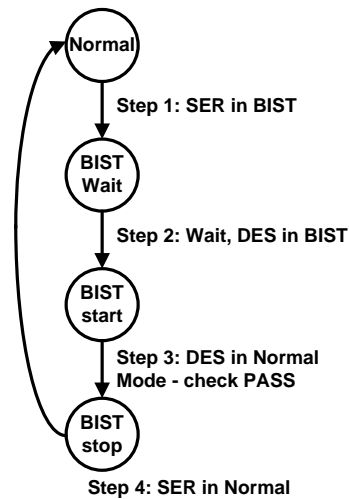


Figure 32. BIST Mode Flow Diagram

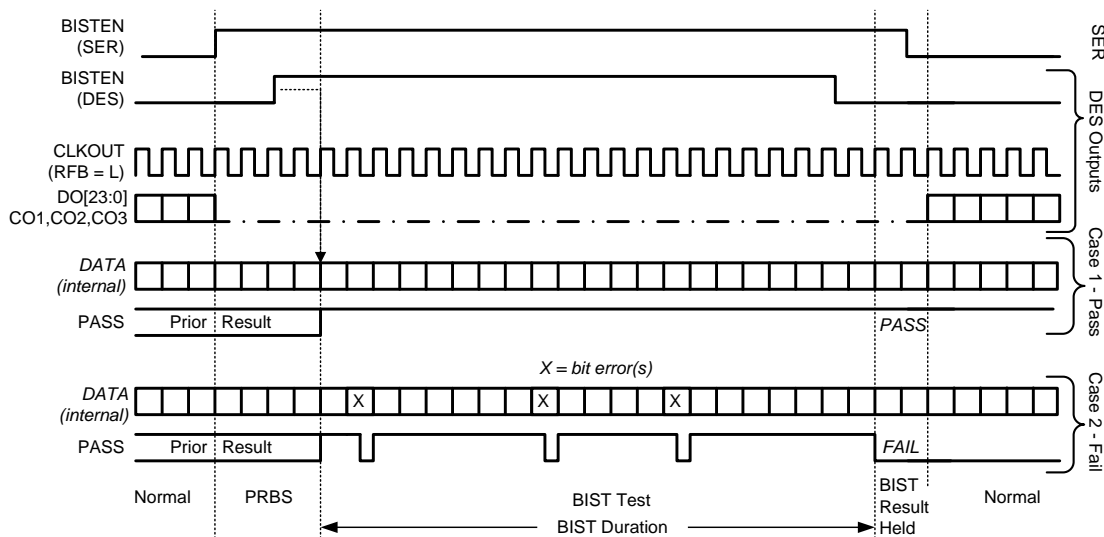


Figure 33. BIST Waveforms

### 7.3.5.2 BER Calculations

It is possible to calculate the approximate Bit Error Rate (BER). The following is required:

- Clock Frequency (MHz)
- BIST Duration (seconds)
- BIST Test Result (PASS)

The BER is less than or equal to one over the product of 24 times the CLKOUT rate times the test duration. If we assume a 65-MHz clock, a 10-minute (600 seconds) test, and a PASS, the BER is  $\leq 1.07 \times 10E-12$ .

BIST mode runs a check on the data payload bits. The LOCK pin also provides a link status. If the recovery of the C0 and C1 bits does not reconstruct the expected clock signal, the LOCK pin switches low. The combination of the LOCK and At-Speed BIST PASS pin provides a powerful tool for system evaluation and performance monitoring.

### 7.3.6 Optional Serial Bus Control

The serializer and deserializer may also be configured by the use of a serial control bus that is I<sup>2</sup>C protocol-compatible. By default, the I<sup>2</sup>C Reg 0x00 = 0x00, and all configuration is set by control or strap pins. Writing reg 0x00 = 0x01 enables or allows configuration by registers; this overrides the control or strap pins. Multiple devices may share the serial control bus, because multiple addresses are supported (see Figure 34).

The serial bus is comprised of three pins. The SCL is a serial bus clock input. The SDA is the serial bus data input or output signal. Both SCL and SDA signals require an external pullup resistor to V<sub>DDIO</sub>. For most applications, a 4.7-k $\Omega$  pullup resistor to V<sub>DDIO</sub> may be used. The resistor value may be adjusted for capacitive loading and data rate requirements. The signals are either pulled high or driven low.

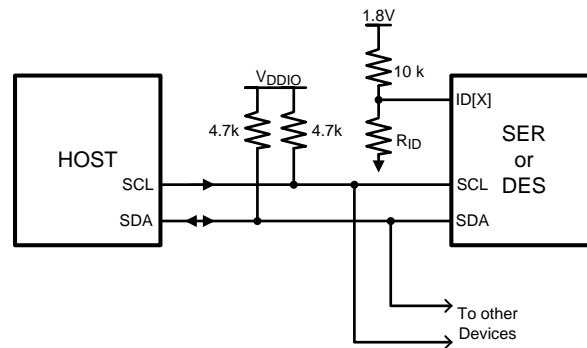


Figure 34. Serial Control Bus Connection

The third pin is the ID[X] pin. This pin sets one of four possible device addresses. Two different connections are possible:

- The pin may be pulled to V<sub>DD</sub> (1.8 V, not V<sub>DDIO</sub>) with a 10-k $\Omega$  resistor.
- The pin may be pulled to V<sub>DD</sub> (1.8 V, not V<sub>DDIO</sub>) with a 10-k $\Omega$  resistor and pulled down to ground with a recommended value R<sub>ID</sub> resistor. This creates a voltage divider that sets the other three possible addresses.

See Table 11 for the serializer and Table 12 for the deserializer. Do not tie ID[X] directly to VSS.

Table 11. ID[X] Resistor Value – DS92LV2421 (Serializer)

RESISTOR R <sub>ID</sub> k $\Omega$ <sup>(1)</sup> (5% TOL)	ADDRESS 7'b	ADDRESS 8'b 0 APPENDED (WRITE)
0.47	7b' 110 1001 (h'69)	8b' 1101 0010 (h'D2)
2.7	7b' 110 1010 (h'6A)	8b' 1101 0100 (h'D4)
8.2	7b' 110 1011 (h'6B)	8b' 1101 0110 (h'D6)
Open	7b' 110 1110 (h'6E)	8b' 1101 1100 (h'DC)

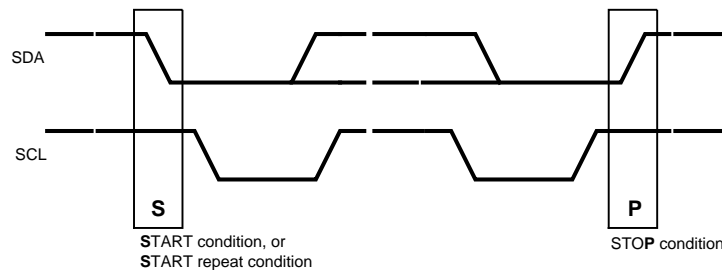
(1) R<sub>ID</sub>  $\neq$  0  $\Omega$ . Do not connect directly to VSS (GND). This is not a valid address.

**Table 12. ID[X] Resistor Value – DS92LV2422 Deserializer**

RESISTOR RID kΩ <sup>(1)</sup> (5% TOL)	ADDRESS 7'b	ADDRESS 8'b 0 APPENDED (WRITE)
0.47	7b' 111 0001 (h'71)	8b' 1110 0010 (h'E2)
2.7	7b' 111 0010 (h'72)	8b' 1110 0100 (h'E4)
8.2	7b' 111 0011 (h'73)	8b' 1110 0110 (h'E6)
Open	7b' 111 0110 (h'76)	8b' 1110 1100 (h'EC)

(1) RID ≠ 0 Ω. Do not connect directly to VSS (GND). This is not a valid address.

The serial bus protocol is controlled by START, START-repeated, and STOP phases. A START occurs when SCL transitions low while SDA is high. A STOP occurs when SDA transition high while SCL is also high (see Figure 35).



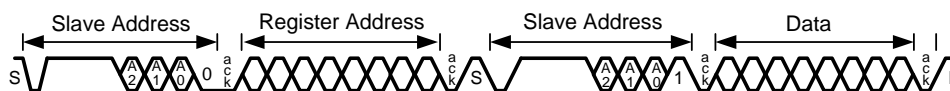
**Figure 35. START and STOP Conditions**

To communicate with a remote device, the host controller (master) sends the slave address and listens for a response from the slave. This response is referred to as an acknowledge bit (ACK). If a slave on the bus is addressed correctly, it Acknowledges (ACKs) the master by driving the SDA bus low. If the address doesn't match the slave address of a device, it Not-acknowledges (NACKs) the master by letting SDA be pulled high. ACKs also occur on the bus when data is being transmitted. When the master is writing data, the slave ACKs after every data byte is successfully received. When the master is reading data, the master ACKs after every data byte is received to let the slave know it wants to receive another data byte. When the master wants to stop reading, it NACKs after the last data byte and creates a stop condition on the bus. All communication on the bus begins with either a start condition or a repeated start condition. All communication on the bus ends with a stop condition. A READ is shown in Figure 36 and a WRITE is shown in Figure 37.

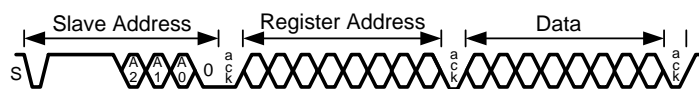
**NOTE**

During initial power-up, a delay of 10 ms is required before the I<sup>2</sup>C will respond.

If the serial bus is not required, the three pins may be left open (NC).



**Figure 36. Serial Control Bus — READ**



**Figure 37. Serial Control Bus — WRITE**

## 7.4 Device Functional Modes

### 7.4.1 Serializer and Deserializer Operating Modes and Reverse Compatibility (CONFIG[1:0])

The DS92LV242x chipset is compatible with other single serial lane Channel Link II or FPD-Link II devices. Configuration modes are provided for reverse compatibility with the DS90C241 / DS90C124 chipset (FPD-Link II Generation 1) and also the DS90UR241 / DS90UR124 chipset (FPD-Link II Generation 2) by setting the respective mode with the CONFIG[1:0] pins on the serializer or deserializer as shown in [Table 13](#) and [Table 14](#). This selection also determines whether the control signal filter feature is enabled or disabled in the normal mode. This feature may be controlled by pin or by register.

**Table 13. DS92LV2421 Serializer Modes**

CONFIG1	CONFIG0	MODE	COMPATIBLE DESERIALIZER DEVICE
L	L	Normal Mode, Control Signal Filter disabled	DS92LV2422, DS92LV2412, DS92LV0422, DS92LV0412
L	H	Normal Mode, Control Signal Filter enabled	DS92LV2422, DS92LV2412, DS92LV0422, DS92LV0412
H	L	Reverse Compatibility Mode (FPD-Link II, GEN2)	DS90UR124, DS99R124Q-Q1
H	H	Reverse Compatibility Mode (FPD-Link II, GEN1)	DS90C124

**Table 14. DS92LV2422 Deserializer Modes**

CONFIG1	CONFIG0	MODE	COMPATIBLE SERIALIZER DEVICE
L	L	Normal Mode, Control Signal Filter disabled	DS92LV2421, DS92LV2411, DS92LV0421, DS92LV0411
L	H	Normal Mode, Control Signal Filter enabled	DS92LV2421, DS92LV2411, DS92LV0421, DS92LV0411
H	L	Reverse Compatibility Mode (FPD-Link II, GEN2)	DS90UR241, DS99R421-Q1
H	H	Reverse Compatibility Mode (FPD-Link II, GEN1)	DS90C241

## 7.5 Register Maps

**Table 15. SERIALIZER — Serial Bus Control Registers**

ADD (DEC)	ADD (HEX)	REGISTER NAME	BIT(S)	R/W	DEFAULT (BIN)	FUNCTION	DESCRIPTION
0	0	Serializer Config 1	7	R/W	0	<i>Reserved</i>	<i>Reserved</i>
			6	R/W	0	<i>Reserved</i>	<i>Reserved</i>
			5	R/W	0	VODSEL	0: Low 1: High
			4	R/W	0	RFB	0: Data latched on Falling edge of CLKIN 1: Data latched on Rising edge of CLKIN
			3:2	R/W	00	CONFIG	00: Normal Mode, Control Signal Filter Disabled 01: Normal Mode, Control Signal Filter Enabled 10: DS90UR124, DS99R124Q-Q1 Reverse-Compatibility Mode (FPD-Link II, GEN2) 11: DS90C124 Reverse-Compatibility Mode (FPD-Link II, GEN1)
			1	R/W	0	SLEEP	Note – not the same function as PowerDown (PDB) 0: Normal Mode 1: Sleep Mode – Register settings retained.
			0	R/W	0	REG	0: Configurations set from control pins 1: Configuration set from registers (except I <sup>2</sup> C_ID)
1	1	Device ID	7	R/W	0	REG ID	0: Address from ID[X] Pin 1: Address from Register
			6:0	R/W	1101000	ID[X]	Serial Bus Device ID, Four IDs are: 7b '1101 001 (h'69) 7b '1101 010 (h'6A) 7b '1101 011 (h'6B) 7b '1101 110 (h'6E) All other addresses are <i>reserved</i> .
2	2	De-Emphasis Control	7:5	R/W	000	De-Emphasis Setting	000: set by external resistor 001: –1 dB 010: –2 dB 011: –3.3 dB 100: –5 dB 101: –6.7 dB 110: –9 dB 111: –12 dB
			4	R/W	0	De-Emphasis EN	0: De-emphasis enabled 1: De-emphasis disabled
			3:0	R/W	000	<i>Reserved</i>	<i>Reserved</i>

**Table 16. DESERIALIZER — Serial Bus Control Registers**

ADD (DEC)	ADD (HEX)	REGISTER NAME	BIT(S)	R/W	DEFAULT (BIN)	FUNCTION	DESCRIPTION
0	0	Deserializer Config 1	7	R/W	0	LF_MODE	0: 20 to 65 MHz SSCG Operation 1: 10 to 20 MHz SSCG Operation
			6	R/W	0	OS_CLKOUT	0: Normal CLKOUT Slew Rate 1: Increased CLKOUT Slew Rate
			5	R/W	0	OS_DATA	0: Normal DATA Slew Rate 1: Increased DATA Slew Rate
			4	R/W	0	RFB	0: Data strobed on Falling edge of CLKOUT 1: Data strobed on Rising edge of CLKOUT
			3:2	R/W	00	CONFIG	00: Normal Mode, Control Signal Filter Disabled 01: Normal Mode, Control Signal Filter Enabled 10: DS90UR241, DS99R241-Q1 Reverse-Compatibility Mode (FPD-Link II, GEN2) 11: DS90C241 Reverse-Compatibility Mode (FPD-Link II, GEN1)
			1	R/W	0	SLEEP	Note – not the same function as $\overline{\text{PowerDown}}$ (PDB) 0: Normal Mode 1: Sleep Mode – Register settings retained.
			0	R/W	0	REG Control	0: Configurations set from control pins or strap pins 1: Configurations set from registers (except I <sup>2</sup> C_ID)
1	1	Slave ID	7	R/W	0	REG ID	0: Address from ID[X] Pin 1: Address from Register
			6:0	R/W	1110000	ID[X]	Serial Bus Device ID, Four IDs are: 7b '1110 001 (h'71) 7b '1110 010 (h'72) 7b '1110 011 (h'73) 7b '1110 110 (h'76) All other addresses are <b>Reserved</b> .
2	2	Deserializer Features 1	7	R/W	0	OP_LOW	0: Set outputs state LOW (except LOCK) 1: Release output LOW state, outputs toggling normally Note: This register only works during LOCK = 1
			6	R/W	0	OSS_SEL	Output Sleep State Select 0: CLKOUT, DO[23:0], CO1, CO2, CO3 = L, LOCK = Normal, PASS = H 1: CLKOUT, DO[23:0], CO1, CO2, CO3 = Tri-State, LOCK = Normal, PASS = H
			5:4	R/W	00	MAP_SEL	Special for Reverse-Compatibility Mode 00: Bit 4, 5 on LSB 01: LSB zero if all data is zero; one if any data is one 10: LSB zero 11: LSB zero
			3	R/W	0	OP_LOW Strap Bypass	0: Strap will determine whether OP_LOW feature is ON or OFF 1: Turns OFF OP_LOW feature
			2:0	R/W	00	OSC_SEL	000: Disable 001: 50 MHz $\pm$ 40% 010: 25 MHz $\pm$ 40% 011: 16.7 MHz $\pm$ 40% 100: 12.5 MHz $\pm$ 40% 101: 10 MHz $\pm$ 40% 110: 8.3 MHz $\pm$ 40% 111: 6.3 MHz $\pm$ 40%

**Table 16. DESERIALIZER — Serial Bus Control Registers (continued)**

ADD (DEC)	ADD (HEX)	REGISTER NAME	BIT(S)	R/W	DEFAULT (BIN)	FUNCTION	DESCRIPTION
3	3	Deserializer Features 2	7:5	R/W	000	EQ Gain	000: ≈1.625 dB 001: ≈3.25 dB 010: ≈4.87 dB 011: ≈6.5 dB 100: ≈8.125 dB 101: ≈9.75 dB 110: ≈11.375 dB 111: ≈13 dB
			4	R/W	0	EQ Enable	0: EQ = disable 1: EQ = enable
			3:0	R/W	0000	SSC	If LF_MODE = 0, then: 000: SSCG disable 0001: fdev = ±0.5%, fmod = CLK/2168 0010: fdev = ±1.0%, fmod = CLK/2168 0011: fdev = ±1.5%, fmod = CLK/2168 0100: fdev = ±2.0%, fmod = CLK/2168 0101: fdev = ±0.5%, fmod = CLK/1300 0110: fdev = ±1.0%, fmod = CLK/1300 0111: fdev = ±1.5%, fmod = CLK/1300 1000: fdev = ±2.0%, fmod = CLK/1300 1001: fdev = ±0.5%, fmod = CLK/868 1010: fdev = ±1.0%, fmod = CLK/868 1011: fdev = ±1.5%, fmod = CLK/868 1100: fdev = ±2.0%, fmod = CLK/868 1101: fdev = ±0.5%, fmod = CLK/650 1110: fdev = ±1.0%, fmod = CLK/650 1111: fdev = ±1.5%, fmod = CLK/650 If LF_MODE = 1, then: 000: SSCG disable 0001: fdev = ±0.5%, fmod = CLK/620 0010: fdev = ±1.0%, fmod = CLK/620 0011: fdev = ±1.5%, fmod = CLK/620 0100: fdev = ±2.0%, fmod = CLK/620 0101: fdev = ±0.5%, fmod = CLK/370 0110: fdev = ±1.0%, fmod = CLK/370 0111: fdev = ±1.5%, fmod = CLK/370 1000: fdev = ±2.0%, fmod = CLK/370 1001: fdev = ±0.5%, fmod = CLK/258 1010: fdev = ±1.0%, fmod = CLK/258 1011: fdev = ±1.5%, fmod = CLK/258 1100: fdev = ±2.0%, fmod = CLK/258 1101: fdev = ±0.5%, fmod = CLK/192 1110: fdev = ±1.0%, fmod = CLK/192 1111: fdev = ±1.5%, fmod = CLK/192
4	4	ROUT Config	7	R/W	0	Repeater Enable	0: Output ROUT± = disable 1: Output ROUT± = enable
			6:0	R/W	0000000	<b>Reserved</b>	<b>Reserved</b>



## 8 Application and Implementation

### NOTE

Information in the following applications sections is not part of the TI component specification, and TI does not warrant its accuracy or completeness. TI's customers are responsible for determining suitability of components for their purposes. Customers should validate and test their design implementation to confirm system functionality.

### 8.1 Application Information

#### 8.1.1 Display Application

The DS92LV242x chipset is intended for interface between a host (graphics processor) and a display. It supports a 24-bit color depth (RGB888) and up to 1024 x 768 display formats. In a RGB888 application, 24 color bits (D[23:0]), Pixel Clock (CLKIN), and three control bits (C1, C2, C3) are supported across the serial link with CLKIN rates from 10 to 75 MHz. The chipset may also be used in 18-bit color applications. In this application, three to six general-purpose signals may also be sent from host to display.

The deserializer is expected to be placed close to its target device. The interconnect between the deserializer and the target device is typically in the 1 to 3 inch separation range. The input capacitance of the target device is expected to be in the 5 pF to 10 pF range. Take care of the CLKOUT output trace, as this signal is edge sensitive and strobes the data. It is also assumed that the fanout of the deserializer is one. If additional loads need to be driven, a logic buffer or mux device is recommended.

#### 8.1.2 Live Link Insertion

The serializer and deserializer devices support live pluggable applications. The automatic receiver lock to random data *plug and go* hot insertion capability allows the DS92LV2422 to attain lock to the active data stream during a live insertion event.

#### 8.1.3 Alternate Color / Data Mapping

Color Mapped Data Pin names are provided to specify a recommended mapping for 24-bit color applications. Seven [7] is assumed to be the MSB, and Zero [0] is assumed to be the LSB. While this is recommended, it is not required. When connecting to earlier generations of FPD-Link II serializer and deserializer devices, a color mapping review is recommended to ensure the correct connectivity is obtained. [Table 17](#) provides examples for interfacing to 18-bit applications with or without the video control signals embedded. The DS92LV2422 deserializer provides additional flexibility with the MAP\_SEL feature as well.

**Table 17. Alternate Color and Data Mapping**

18-BIT RGB	18-BIT RGB	24-BIT RGB	2421 PIN NAME	2422 PIN NAME	24-BIT RGB	18-BIT RGB	18-BIT RGB
LSB R0	GP0	R0	DI0	DO0	R0	GP0	LSB R0
R1	GP1	R1	DI1	DO1	R1	GP1	R1
R2	R0	R2	DI2	DO2	R2	R0	R2
R3	R1	R3	DI3	DO3	R3	R1	R3
R4	R2	R4	DI4	DO4	R4	R2	R4
MSB R5	R3	R5	DI5	DO5	R5	R3	MSB R5
LSB G0	R4	R6	DI6	DO6	R6	R4	LSB G0
G1	R5	R7	DI7	DO7	R7	R5	G1
G2	GP2	G0	DI8	DO8	G0	GP2	G2
G3	GP3	G1	DI9	DO9	G1	GP3	G3
G4	G0	G2	DI10	DO10	G2	G0	G4
MSB G5	G1	G3	DI11	DO11	G3	G1	MSB G5
LSB B0	G2	G4	DI12	DO12	G4	G2	LSB0
B1	G3	G5	DI13	DO13	G5	G3	B1

**Application Information (continued)**
**Table 17. Alternate Color and Data Mapping (continued)**

18-BIT RGB	18-BIT RGB	24-BIT RGB	2421 PIN NAME	2422 PIN NAME	24-BIT RGB	18-BIT RGB	18-BIT RGB
B2	G4	G6	DI14	DO14	G6	G4	B2
B3	G5	G7	DI15	DO15	G7	G5	B3
B4	GP4	B0	DI16	DO16	B0	GP4	B4
MSB B5	GP5	B1	DI17	DO17	B1	GP5	MSB B5
HS	B0	B2	DI18	DO18	B2	B0	HS
VS	B1	B3	DI19	DO19	B3	B1	VS
DE	B2	B4	DI20	DO20	B4	B2	DE
GP0	B3	B5	DI21	DO21	B5	B3	GP0
GP1	B4	B6	DI22	DO22	B6	B4	GP1
GP2	B5	B7	DI23	DO23	B7	B5	GP2
GND	HS	HS	CI1	CO1	HS	HS	GND
GND	VS	VS	CI2	CO2	VS	VS	GND
GND	DE	DE	CI3	CO3	DE	DE	GND
<b>Scenario 3<sup>(1)</sup></b>	<b>Scenario 2<sup>(2)</sup></b>	<b>Scenario 1<sup>(3)</sup></b>	<b>2421 Pin Name</b>	<b>2422 Pin Name</b>	<b>Scenario 1<sup>(3)</sup></b>	<b>Scenario 2<sup>(2)</sup></b>	<b>Scenario 3<sup>(1)</sup></b>

(1) Scenario 3 supports an 18-bit RGB color mapping, 3 un-embedded video control signals, and up to three general-purpose signals.

(2) Scenario 2 supports an 18-bit RGB color mapping, 3 embedded video control signals, and up to six general-purpose signals.

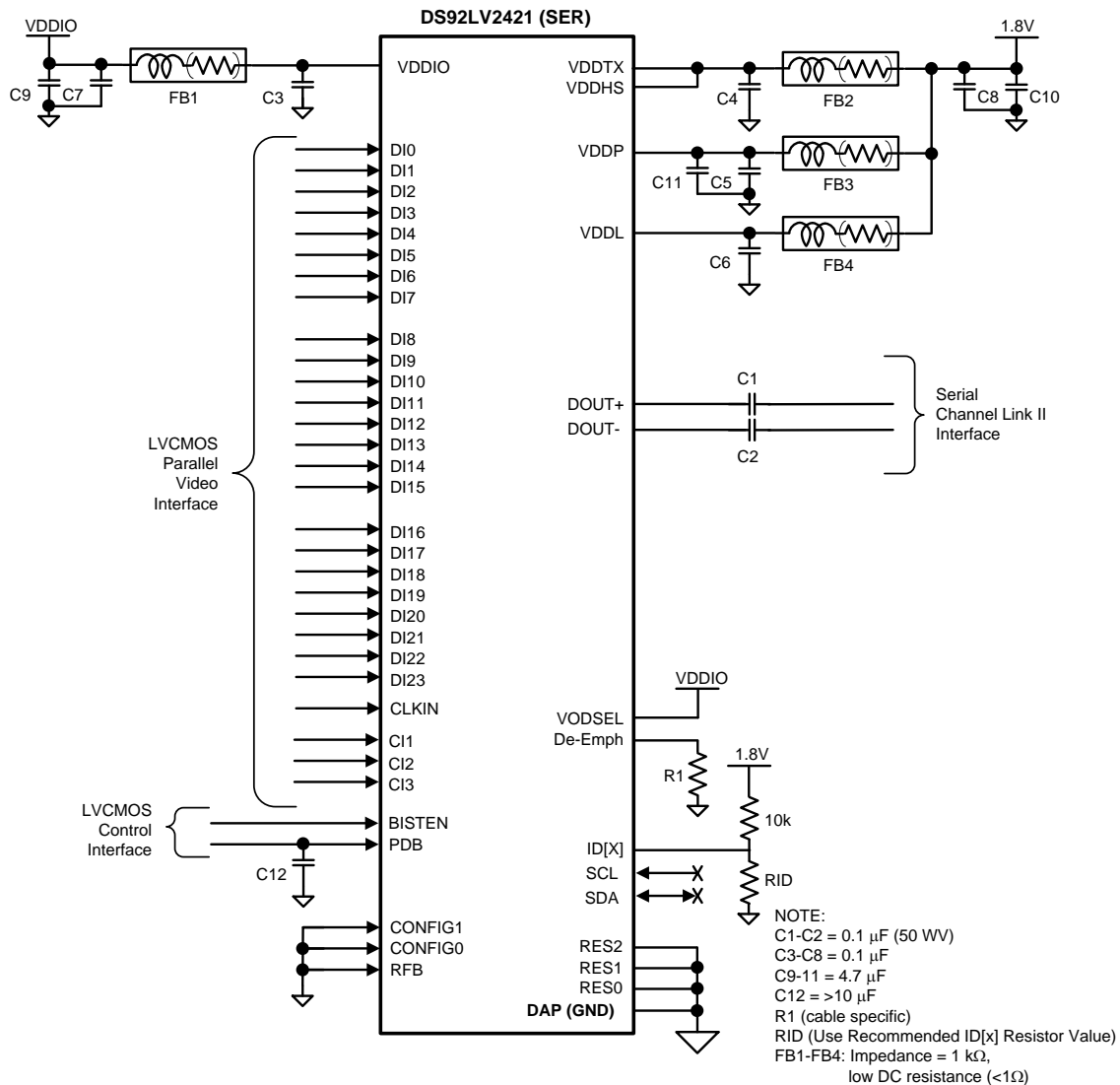
(3) Scenario 1 supports the 24-bit RGB color mapping, along with the 3 embedded video control signals. This is the native mode for the chipset.

## 8.2 Typical Applications

### 8.2.1 DS92LV2421 Typical Connection

Figure 38 shows a typical application of the DS92LV2421 serializer in pin control mode for a 24-bit application. The LVDS outputs require 100-nF AC-coupling capacitors to the line. The line driver includes internal termination. Bypass capacitors are placed near the power supply pins. At a minimum, four 0.1- $\mu$ F capacitors and a 4.7- $\mu$ F capacitor must be used for local device bypassing. System GPO (General Purpose Output) signals control the PDB and BISTEN pins. In this application, the RFB pin is tied low to latch data on the falling edge of the CLKIN. The application assumes connection to the companion deserializer (DS92LV2422), and therefore the configuration pins CONFIG[1:0] are also both tied low. In this example, the cable is long, and therefore the VODSEL pin is tied high and a De-Emphasis value is selected by the resistor R1. The interface to the host is with 1.8-V LVCMOS levels, thus the VDDIO pin is connected also to the 1.8-V rail. The optional serial bus control is not used in this example, thus the SCL, SDA, and ID[X] pins are left open. A delay cap is placed on the PDB signal to delay the enabling of the device until power is stable.

Typical Applications (continued)



Copyright © 2016, Texas Instruments Incorporated

Figure 38. DS92LV2421 Typical Connection Diagram – Pin Control

8.2.1.1 Design Requirements

For this example, Table 18 lists the design parameters.

Table 18. Design Parameters

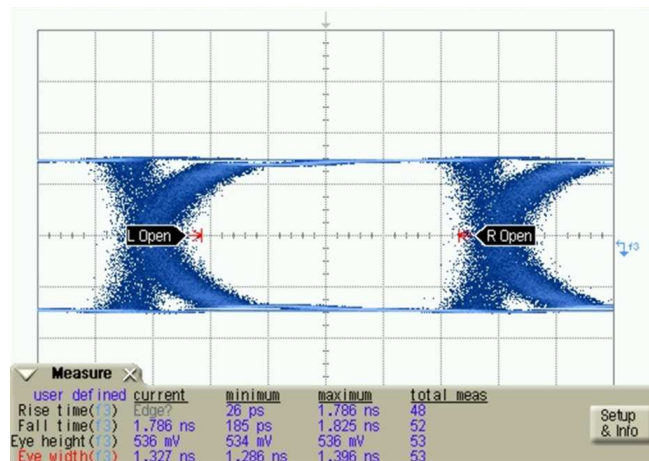
PARAMETER	EXAMPLE VALUE
VDDIO	1.8 V to 3.3 V
VDDL, VDDP, VDDHS, VDDTX	1.8 V
AC-Coupling Capacitor for DOUT±	100 nF

### 8.2.1.2 Detailed Design Procedure

The DOUT± outputs require 100-nF AC-coupling capacitors to the line. The power supply filter capacitors are placed near the power supply pins. A smaller capacitance capacitor must be located closer to the power supply pins.

The VODSEL pin is tied to VDDIO for the long cable application. The de-emphasis pin may connect a resistor to ground. Refer to [Table 3](#). The PDB and BISTEN pins are assumed to be controlled by a microprocessor. The PDB must remain in a low state until all power supply voltages reach the final voltage. The RFB pin is tied low to latch data on the falling edge of the PCLK and tied high for the rising clock edge. The CONFIG[1:0] pins are set depending on operating modes and backward compatibility. The SCL, SDA, and ID[X] pins are left open when these serial bus control pins are unused. The RES[2:0] pins and DAP must be tied to ground.

### 8.2.1.3 Application Curve



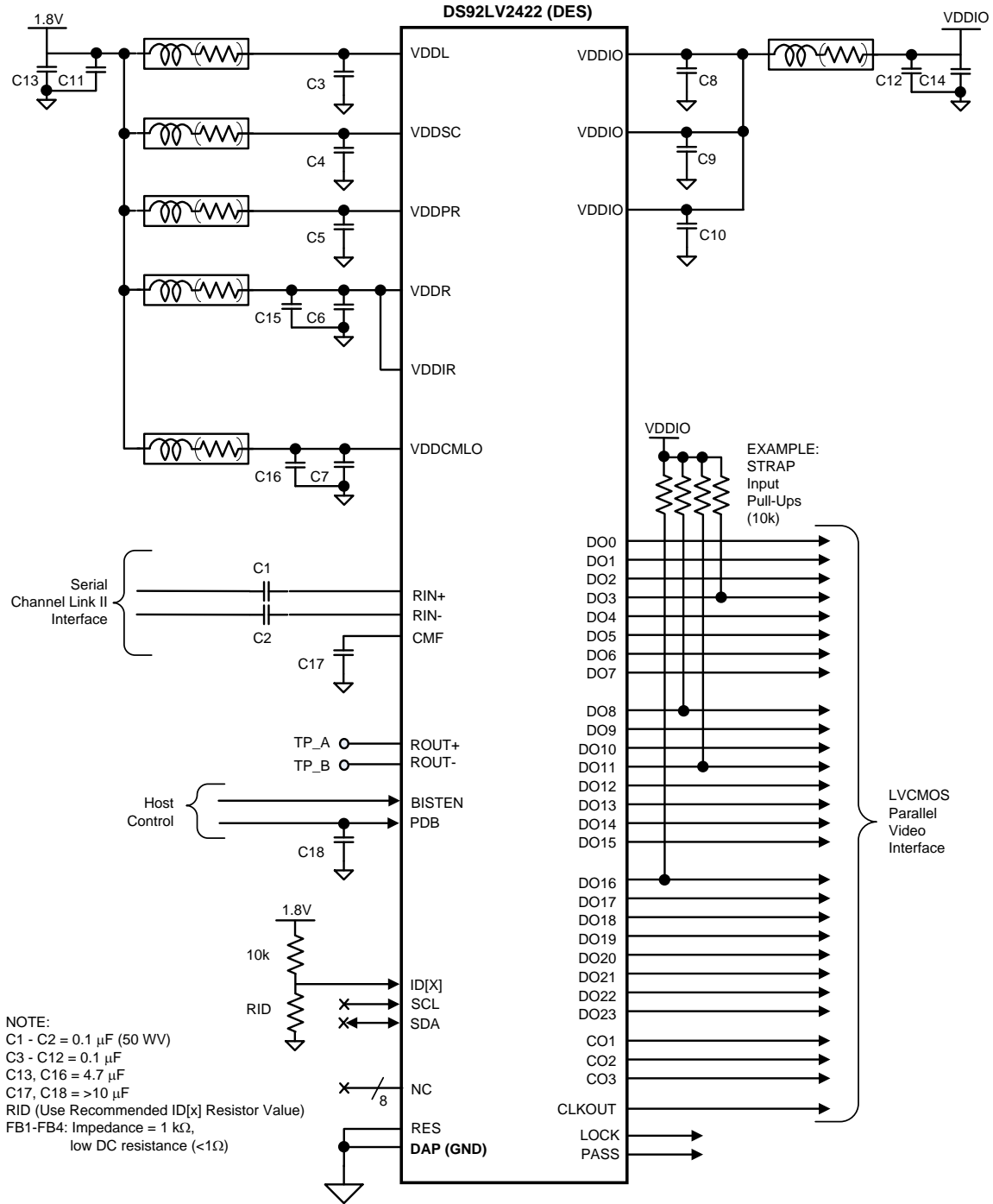
**Figure 39. Eye Diagram at CLK = 20 MHz**

## 8.2.2 DS92LV2422 Typical Connection

[Figure 40](#) shows a typical application of the DS92LV2422 deserializer in pin or strap control mode for a 24-bit application. The LVDS inputs use 100-nF coupling capacitors to the line, and the receiver provides internal termination. Bypass capacitors are placed near the power supply pins. At a minimum, seven 0.1- $\mu$ F capacitors and two 4.7- $\mu$ F capacitors must be used for local device bypassing. System General Purpose Output (GPO) signals control the PDB and the BISTEN pins. In this application, the RFB pin is tied low to strobe the data on the falling edge of the CLKOUT.

Because the device is in pin or strap control mode, four 10-k $\Omega$  pullup resistors are used on the parallel output bus to select the desired device features. CONFIG[1:0] is set to 01'b for normal mode with control signal filter enabled, and this is accomplished with the strap pullup on DO23. The receiver input equalizer is also enabled and set to provide 7.5 dB of gain, and this is accomplished with EQ[3:0] set to 1001'b with strap pullups on DO12 and DO15. To reduce parallel bus EMI, the SSCG feature is enabled and set to fmod = CLK/2168 and  $\pm$ 1% with SSC[3:0] set to 0010'b and a strap pullup on DO4. The desired features are set with the use of the four pullup resistors.

The interface to the target display is with 3.3-V LVCMOS levels, thus the VDDIO pin is connected to the 3.3-V rail. The optional serial bus control is not used in this example, thus the SCL, SDA and ID[X] pins are left open. A delay cap is placed on the PDB signal to delay the enabling of the device until power is stable.



Copyright © 2016, Texas Instruments Incorporated

Figure 40. DS92LV2422 Typical Connection Diagram — Pin Control

### 8.2.2.1 Design Requirements

For this example, [Table 19](#) lists the design parameters.

**Table 19. Design Parameters**

PARAMETER	EXAMPLE VALUE
VDDIO	1.8 V to 3.3 V
VDDL, VDDSC, VDDPR, VDDR, VDDIR, VDDCMLO	1.8 V
AC-Coupling Capacitor for DOUT±	100 nF

**8.2.2.2 Detailed Design Procedure**

The RIN± inputs require 100-nF AC-coupling capacitors to the line. The power supply filter capacitors are placed near the power supply pins. A smaller capacitance capacitor must be placed closer to the power supply pins.

The device has 22 control and configuration pins that are called strap pins. These pins include an internal pulldown. For a high state, use a 10-kΩ resistor pullup to VDDIO.

The PDB and BISTEN pins are assumed to be controlled by a microprocessor. The PDB has to be in a low state until all power supply voltages reach the final voltage. The SCL, SDA, and ID[X] pins are left open when these serial bus control pins are unused.

The RES pin and DAP must be tied to ground.

**8.2.2.3 Application Curves**

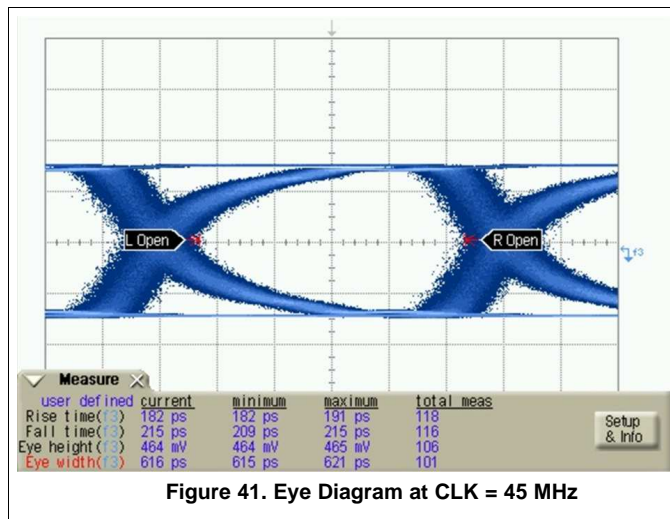


Figure 41. Eye Diagram at CLK = 45 MHz

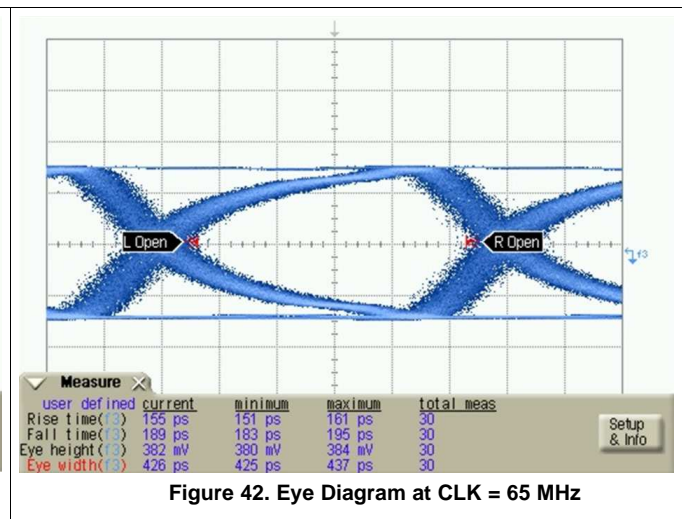


Figure 42. Eye Diagram at CLK = 65 MHz

**9 Power Supply Recommendations**

**9.1 Power-Up Requirements and PDB Pin**

The VDD (VDDn and VDDIO) supply ramp must be faster than 1.5 ms with a monotonic rise. If slower than 1.5 ms, then a capacitor on the PDB pin is needed to ensure PDB arrives after all the VDD have settled to the recommended operating voltage. When PDB pin is pulled to VDDIO, TI recommends using a 10-kΩ pullup and a 22-μF capacitor to GND to delay the PDB input signal.

## 10 Layout

### 10.1 Layout Guidelines

Circuit board layout and stack-up for the LVDS serializer and deserializer devices must be designed to provide low-noise power feed to the device. Good layout practice also separates high frequency or high-level inputs and outputs to minimize unwanted stray noise pickup, feedback, and interference. Power system performance may be greatly improved by using thin dielectrics (2 to 4 mils) for power or ground sandwiches. This arrangement provides plane capacitance for the PCB power system with low-inductance parasitics, which has proven especially effective at high frequencies and makes the value and placement of external bypass capacitors less critical. External bypass capacitors must include both RF ceramic and tantalum electrolytic types. RF capacitors may use values in the range of 0.01  $\mu\text{F}$  to 0.1  $\mu\text{F}$ . Tantalum capacitors may be in the 2.2  $\mu\text{F}$  to 10  $\mu\text{F}$  range. Voltage rating of the tantalum capacitors must be at least 5x the power supply voltage being used.

Surface-mount capacitors are recommended due to their smaller parasitics. When using multiple capacitors per supply pin, place the smaller value closer to the pin. A large bulk capacitor is recommended at the point of power entry. This is typically in the 50  $\mu\text{F}$  to 100  $\mu\text{F}$  range and smooths low frequency switching noise. TI recommends connecting power and ground pins directly to the power and ground planes with bypass capacitors connected to the plane, with vias on both ends of the capacitor. Connecting power or ground pins to an external bypass capacitor increases the inductance of the path.

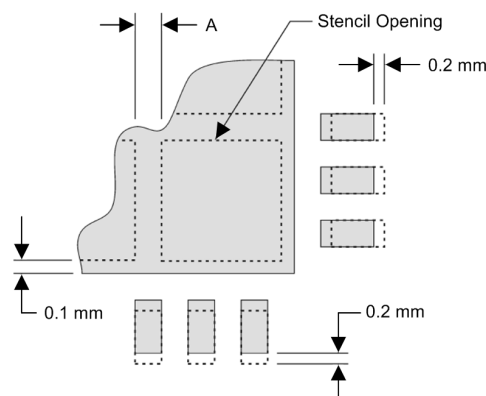
A small body size X7R chip capacitor, such as 0603, is recommended for external bypass. Its small body size reduces the parasitic inductance of the capacitor. The user must pay attention to the resonance frequency of these external bypass capacitors, usually in the range of 20 to 30 MHz. To provide effective bypassing, multiple capacitors are often used to achieve low impedance between the supply rails over the frequency of interest. At high frequency, it is also a common practice to use two vias from power and ground pins to the planes, reducing the impedance at high frequency.

Some devices provide separate power and ground pins for different portions of the circuit. This is done to isolate switching noise effects between different sections of the circuit. Separate planes on the PCB are typically not required. Pin description tables typically provide guidance on which circuit blocks are connected to which power pin pairs. In some cases, an external filter may be used to provide clean power to sensitive circuits such as PLLs.

Use at least a four-layer board with a power and ground plane. Place LVCMOS signals away from the CML lines to prevent coupling from the LVCMOS lines to the CML lines. Closely-coupled differential lines of 100  $\Omega$  are typically recommended for LVDS interconnects. The closely coupled lines help to ensure that coupled noise appears as common mode and thus is rejected by the receivers. The tightly coupled lines also radiate less.

#### 10.1.1 WQFN (LLP) Stencil Guidelines

Stencil parameters such as aperture area ratio and the fabrication process have a significant impact on paste deposition. Inspection of the stencil prior to placement of the LLP (WQFN) package is highly recommended to improve board assembly yields. If the via and aperture openings are not carefully monitored, the solder may flow unevenly through the DAP. Stencil parameters for aperture opening and via locations are shown below:



**Figure 43. No Pullback LLP, Single Row Reference Diagram**

Layout Guidelines (continued)

Table 20. No Pullback LLP Stencil Aperture Summary for DS92LV2421 and DS92LV2422

DEVICE	PIN COUNT	MKT DWG	PCB I/O PAD SIZE (mm)	PCB PITCH (mm)	PCB DAP SIZE (mm)	STENCIL I/O APERTURE (mm)	STENCIL DAP APERTURE (mm)	NUMBER OF DAP APERTURE OPENINGS	GAP BETWEEN DAP APERTURE (Dim A mm)
DS92LV2421	48	SQA48A	0.25 × 0.6	0.5	5.1 × 5.1	0.25 × 0.7	1.1 × 1.1	16	0.2
DS92LV2422	60	SQA60B	0.25 × 0.8	0.5	7.2 × 7.2	0.25 × 0.9	1.16 × 1.16	25	0.3

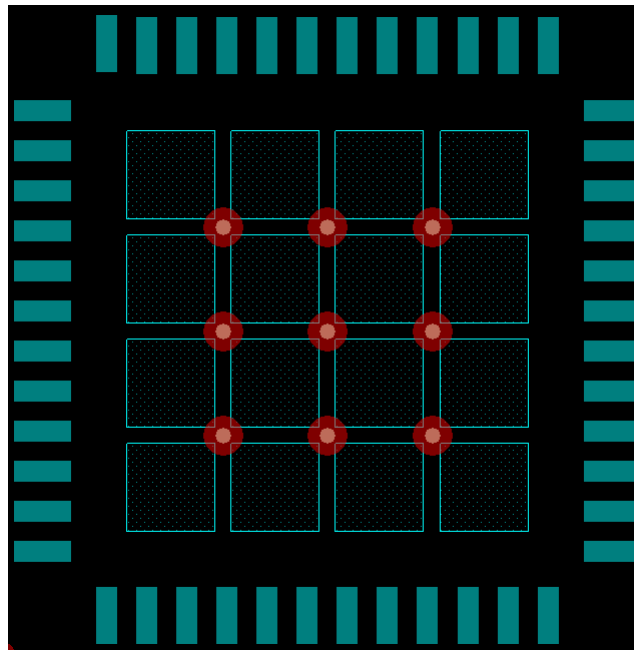


Figure 44. 48-Pin WQFN Stencil Example of Via and Opening Placement

Information on the WQFN style package is provided in *Leadless Leadframe Package (LLP) Application Report (SNOA401)*.

10.1.2 Transmission Media

The serializer and deserializer chipset is intended to be used in a point-to-point configuration through a PCB trace or through twisted pair cable. The serializer and deserializer provide internal terminations for a clean signaling environment. The interconnect for CML must present a differential impedance of 100 Ω. Use cables and connectors that have matched differential impedance to minimize impedance discontinuities. Shielded or unshielded cables may be used depending upon the noise environment and application requirements.

10.1.3 LVDS Interconnect Guidelines

See AN-1108 *Channel-Link PCB and Interconnect Design-In Guidelines (SNLA008)* and AN-905 *Transmission Line RAPIDESIGNER Operation and Applications Guide (SNLA035)* for full details.

- Use 100-Ω coupled differential pairs
- Use the S, 2S, 3S rule in spacings
  - S = space between the pair
  - 2S = space between pairs
  - 3S = space to LVCMOS signal
- Minimize the number of vias
- Use differential connectors when operating above 500-Mbps line speed
- Maintain balance of the traces
- Minimize skew within the pair



- Terminate as close to the TX outputs and RX inputs as possible

Additional general guidance can be found in the LVDS Owner's Manual, available in PDF format from the TI web site at: [www.ti.com/lvds](http://www.ti.com/lvds).

## 10.2 Layout Example

The following PCB layout examples are derived from the layout design of the LV24EVK01 Evaluation Module. These graphics and additional layout description are used to demonstrate both proper routing and proper solder techniques when designing in the serializer and deserializer pair.

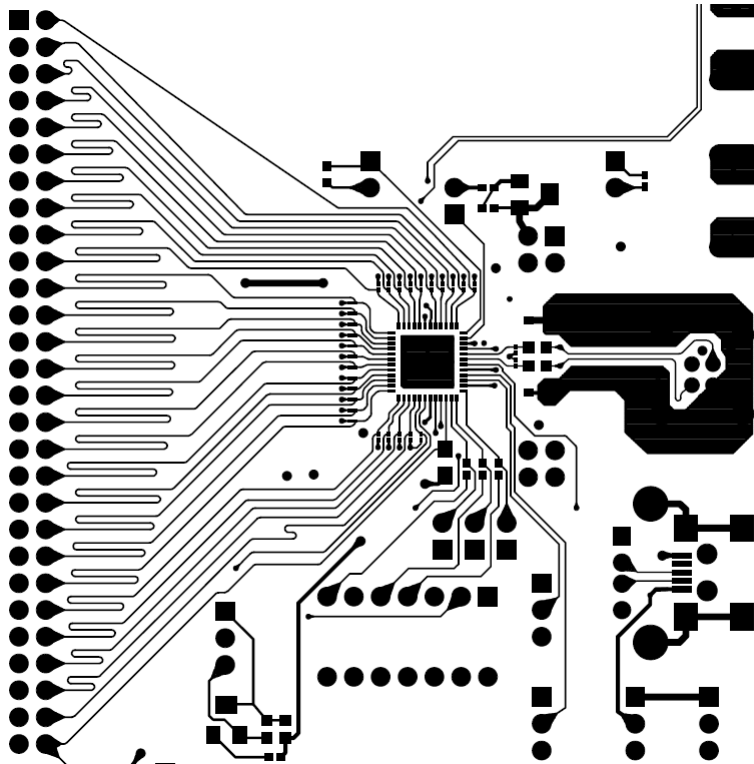
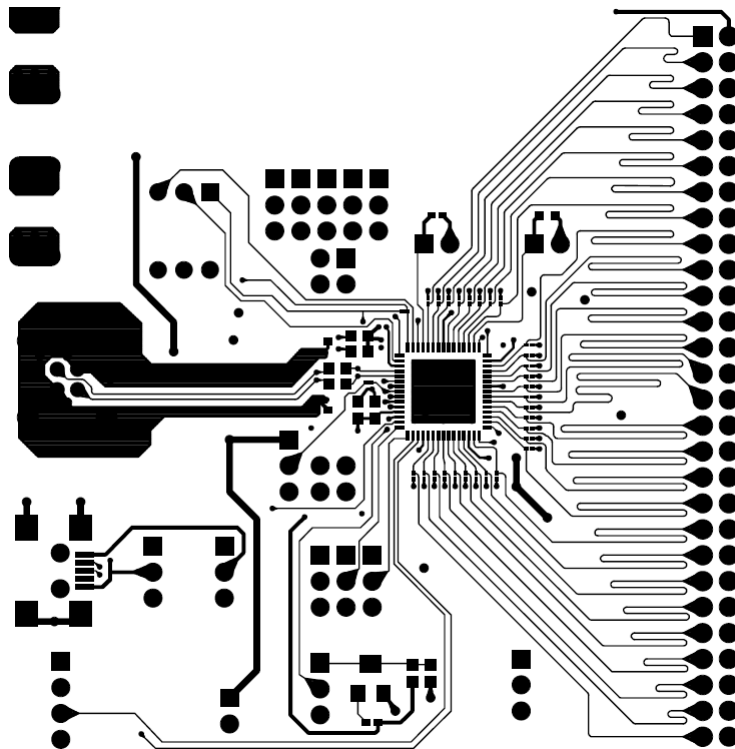


Figure 45. DS92LV2421 Serializer Example Layout

**Layout Example (continued)**



**Figure 46. DS92LV2422 Deserializer Example Layout**

## 11 Device and Documentation Support

### 11.1 Device Support

#### 11.1.1 Third-Party Products Disclaimer

TI'S PUBLICATION OF INFORMATION REGARDING THIRD-PARTY PRODUCTS OR SERVICES DOES NOT CONSTITUTE AN ENDORSEMENT REGARDING THE SUITABILITY OF SUCH PRODUCTS OR SERVICES OR A WARRANTY, REPRESENTATION OR ENDORSEMENT OF SUCH PRODUCTS OR SERVICES, EITHER ALONE OR IN COMBINATION WITH ANY TI PRODUCT OR SERVICE.

#### 11.1.2 Development Support

For development support see the following:

LVDS Owner's Manual, [www.ti.com/lvds](http://www.ti.com/lvds)

### 11.2 Documentation Support

#### 11.2.1 Related Documentation

For related documentation see the following:

- *Absolute Maximum Ratings for Soldering*, [SNOA549](#)
- *Leadless Leadframe Package (LLP) Application Report*, [SNOA401](#)
- *AN-1108 Channel-Link PCB and Interconnect Design-In Guidelines*, [SNLA008](#)
- *AN-905 Transmission Line RAPIDESIGNER Operation and Applications Guide*, [SNLA035](#)

### 11.3 Related Links

The table below lists quick access links. Categories include technical documents, support and community resources, tools and software, and quick access to sample or buy.

**Table 21. Related Links**

PARTS	PRODUCT FOLDER	SAMPLE & BUY	TECHNICAL DOCUMENTS	TOOLS & SOFTWARE	SUPPORT & COMMUNITY
DS92LV2421	<a href="#">Click here</a>	<a href="#">Click here</a>	<a href="#">Click here</a>	<a href="#">Click here</a>	<a href="#">Click here</a>
DS92LV2422	<a href="#">Click here</a>	<a href="#">Click here</a>	<a href="#">Click here</a>	<a href="#">Click here</a>	<a href="#">Click here</a>

### 11.4 Community Resource

The following links connect to TI community resources. Linked contents are provided "AS IS" by the respective contributors. They do not constitute TI specifications and do not necessarily reflect TI's views; see TI's [Terms of Use](#).

**TI E2E™ Online Community** *TI's Engineer-to-Engineer (E2E) Community*. Created to foster collaboration among engineers. At [e2e.ti.com](http://e2e.ti.com), you can ask questions, share knowledge, explore ideas and help solve problems with fellow engineers.

**Design Support** *TI's Design Support* Quickly find helpful E2E forums along with design support tools and contact information for technical support.

### 11.5 Trademarks

E2E is a trademark of Texas Instruments.

All other trademarks are the property of their respective owners.

### 11.6 Electrostatic Discharge Caution



These devices have limited built-in ESD protection. The leads should be shorted together or the device placed in conductive foam during storage or handling to prevent electrostatic damage to the MOS gates.

## 11.7 Glossary

[SLYZ022](#) — *TI Glossary*.

This glossary lists and explains terms, acronyms, and definitions.

## 12 Mechanical, Packaging, and Orderable Information

The following pages include mechanical, packaging, and orderable information. This information is the most current data available for the designated devices. This data is subject to change without notice and revision of this document. For browser-based versions of this data sheet, refer to the left-hand navigation.

**PACKAGING INFORMATION**

Orderable Device	Status (1)	Package Type	Package Drawing	Pins	Package Qty	Eco Plan (2)	Lead/Ball Finish (6)	MSL Peak Temp (3)	Op Temp (°C)	Device Marking (4/5)	Samples
DS92LV2421SQ/NOPB	ACTIVE	WQFN	RHS	48	1000	Green (RoHS & no Sb/Br)	SN	Level-3-260C-168 HR	-40 to 85	LV2421SQ	<a href="#">Samples</a>
DS92LV2421SQE/NOPB	ACTIVE	WQFN	RHS	48	250	Green (RoHS & no Sb/Br)	SN	Level-3-260C-168 HR	-40 to 85	LV2421SQ	<a href="#">Samples</a>
DS92LV2421SQX/NOPB	ACTIVE	WQFN	RHS	48	2500	Green (RoHS & no Sb/Br)	SN	Level-3-260C-168 HR	-40 to 85	LV2421SQ	<a href="#">Samples</a>
DS92LV2422SQ/NOPB	ACTIVE	WQFN	NKB	60	1000	Green (RoHS & no Sb/Br)	SN	Level-3-260C-168 HR	-40 to 85	LV2422SQ	<a href="#">Samples</a>
DS92LV2422SQE/NOPB	ACTIVE	WQFN	NKB	60	250	Green (RoHS & no Sb/Br)	SN	Level-3-260C-168 HR	-40 to 85	LV2422SQ	<a href="#">Samples</a>
DS92LV2422SQX/NOPB	ACTIVE	WQFN	NKB	60	2000	Green (RoHS & no Sb/Br)	SN	Level-3-260C-168 HR	-40 to 85	LV2422SQ	<a href="#">Samples</a>

(1) The marketing status values are defined as follows:

**ACTIVE:** Product device recommended for new designs.

**LIFEBUY:** TI has announced that the device will be discontinued, and a lifetime-buy period is in effect.

**NRND:** Not recommended for new designs. Device is in production to support existing customers, but TI does not recommend using this part in a new design.

**PREVIEW:** Device has been announced but is not in production. Samples may or may not be available.

**OBSOLETE:** TI has discontinued the production of the device.

(2) **RoHS:** TI defines "RoHS" to mean semiconductor products that are compliant with the current EU RoHS requirements for all 10 RoHS substances, including the requirement that RoHS substance do not exceed 0.1% by weight in homogeneous materials. Where designed to be soldered at high temperatures, "RoHS" products are suitable for use in specified lead-free processes. TI may reference these types of products as "Pb-Free".

**RoHS Exempt:** TI defines "RoHS Exempt" to mean products that contain lead but are compliant with EU RoHS pursuant to a specific EU RoHS exemption.

**Green:** TI defines "Green" to mean the content of Chlorine (Cl) and Bromine (Br) based flame retardants meet JS709B low halogen requirements of <=1000ppm threshold. Antimony trioxide based flame retardants must also meet the <=1000ppm threshold requirement.

(3) MSL, Peak Temp. - The Moisture Sensitivity Level rating according to the JEDEC industry standard classifications, and peak solder temperature.

(4) There may be additional marking, which relates to the logo, the lot trace code information, or the environmental category on the device.

(5) Multiple Device Markings will be inside parentheses. Only one Device Marking contained in parentheses and separated by a "-" will appear on a device. If a line is indented then it is a continuation of the previous line and the two combined represent the entire Device Marking for that device.

<sup>(6)</sup> Lead/Ball Finish - Orderable Devices may have multiple material finish options. Finish options are separated by a vertical ruled line. Lead/Ball Finish values may wrap to two lines if the finish value exceeds the maximum column width.

**Important Information and Disclaimer:**The information provided on this page represents TI's knowledge and belief as of the date that it is provided. TI bases its knowledge and belief on information provided by third parties, and makes no representation or warranty as to the accuracy of such information. Efforts are underway to better integrate information from third parties. TI has taken and continues to take reasonable steps to provide representative and accurate information but may not have conducted destructive testing or chemical analysis on incoming materials and chemicals. TI and TI suppliers consider certain information to be proprietary, and thus CAS numbers and other limited information may not be available for release.

In no event shall TI's liability arising out of such information exceed the total purchase price of the TI part(s) at issue in this document sold by TI to Customer on an annual basis.

**TAPE AND REEL INFORMATION**

**QUADRANT ASSIGNMENTS FOR PIN 1 ORIENTATION IN TAPE**


\*All dimensions are nominal

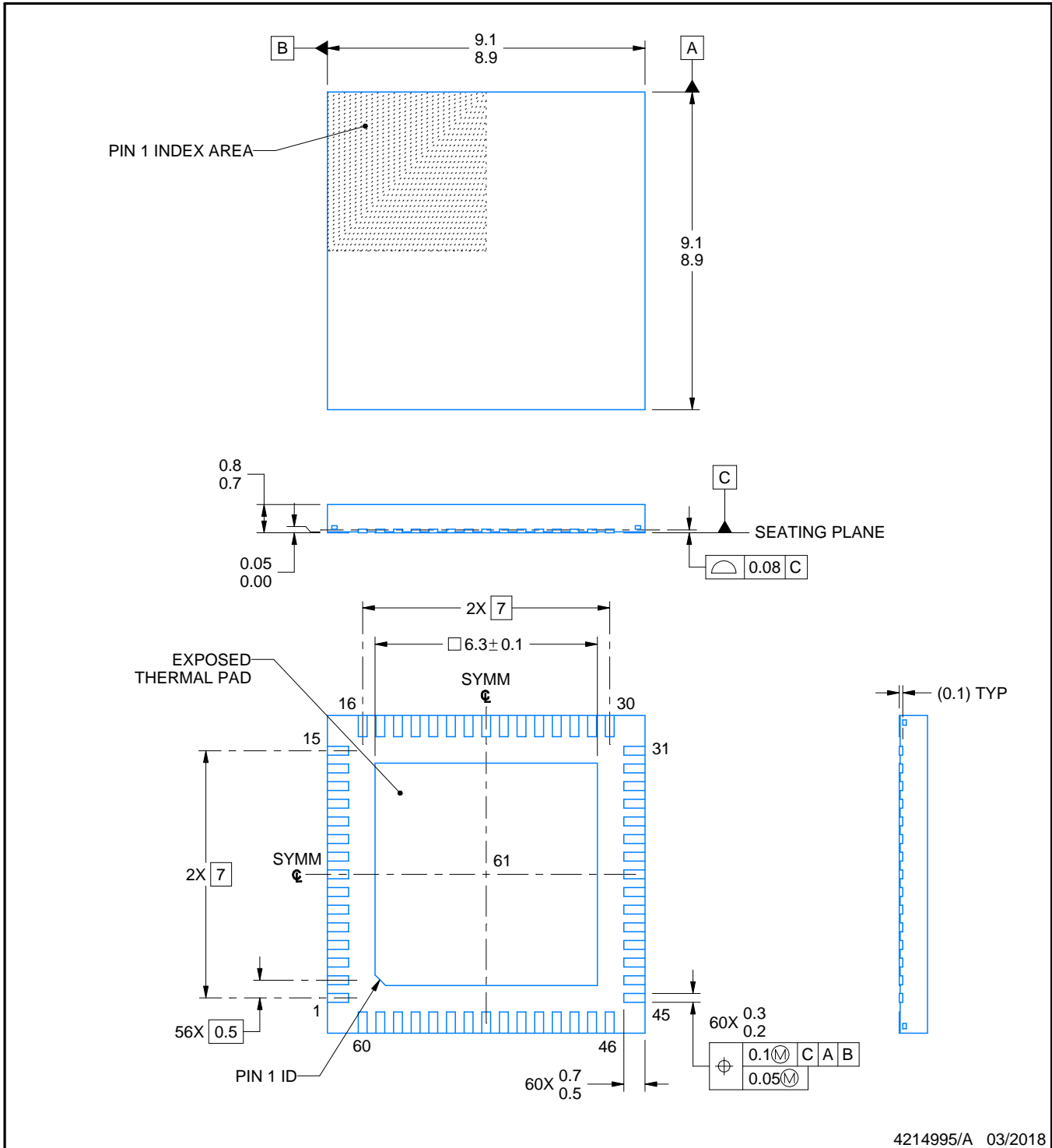
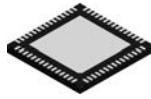
Device	Package Type	Package Drawing	Pins	SPQ	Reel Diameter (mm)	Reel Width W1 (mm)	A0 (mm)	B0 (mm)	K0 (mm)	P1 (mm)	W (mm)	Pin1 Quadrant
DS92LV2421SQ/NOPB	WQFN	RHS	48	1000	330.0	16.4	7.3	7.3	1.3	12.0	16.0	Q1
DS92LV2421SQE/NOPB	WQFN	RHS	48	250	178.0	16.4	7.3	7.3	1.3	12.0	16.0	Q1
DS92LV2421SQX/NOPB	WQFN	RHS	48	2500	330.0	16.4	7.3	7.3	1.3	12.0	16.0	Q1
DS92LV2422SQ/NOPB	WQFN	NKB	60	1000	330.0	16.4	9.3	9.3	1.3	12.0	16.0	Q1
DS92LV2422SQE/NOPB	WQFN	NKB	60	250	178.0	16.4	9.3	9.3	1.3	12.0	16.0	Q1
DS92LV2422SQX/NOPB	WQFN	NKB	60	2000	330.0	16.4	9.3	9.3	1.3	12.0	16.0	Q1

**TAPE AND REEL BOX DIMENSIONS**


\*All dimensions are nominal

Device	Package Type	Package Drawing	Pins	SPQ	Length (mm)	Width (mm)	Height (mm)
DS92LV2421SQ/NOPB	WQFN	RHS	48	1000	367.0	367.0	38.0
DS92LV2421SQE/NOPB	WQFN	RHS	48	250	210.0	185.0	35.0
DS92LV2421SQX/NOPB	WQFN	RHS	48	2500	367.0	367.0	38.0
DS92LV2422SQ/NOPB	WQFN	NKB	60	1000	367.0	367.0	38.0
DS92LV2422SQE/NOPB	WQFN	NKB	60	250	210.0	185.0	35.0
DS92LV2422SQX/NOPB	WQFN	NKB	60	2000	367.0	367.0	38.0





NOTES:

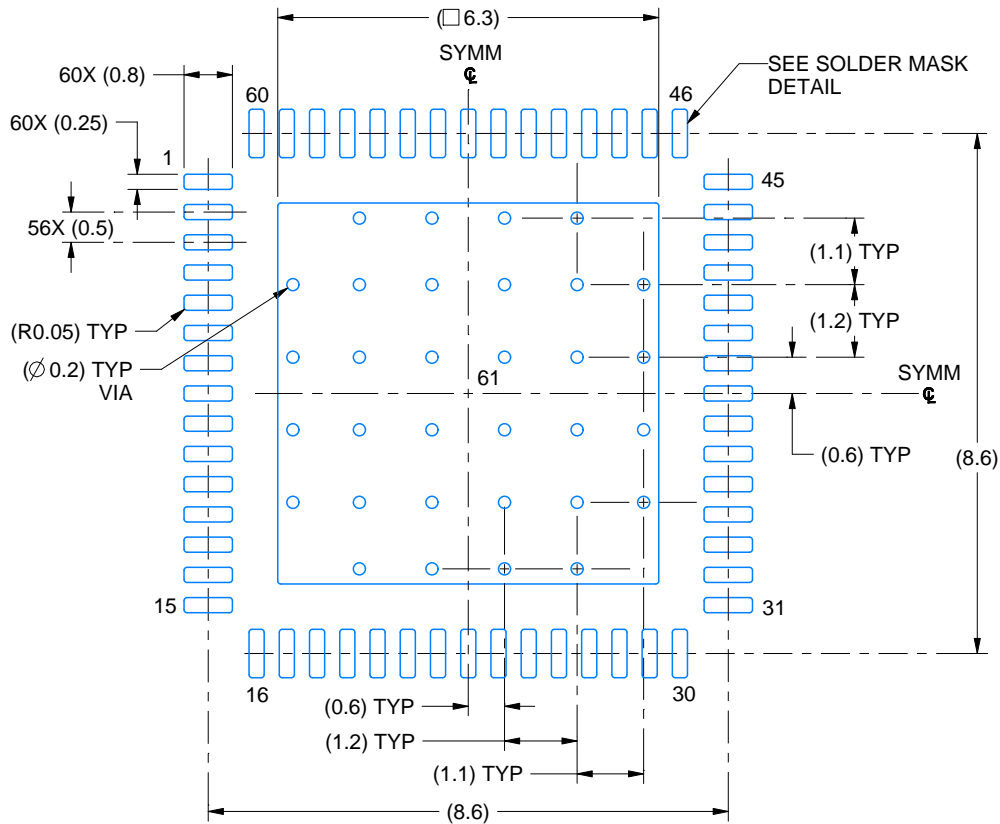
1. All linear dimensions are in millimeters. Any dimensions in parenthesis are for reference only. Dimensioning and tolerancing per ASME Y14.5M.
2. This drawing is subject to change without notice.
3. The package thermal pad must be soldered to the printed circuit board for thermal and mechanical performance.

# EXAMPLE BOARD LAYOUT

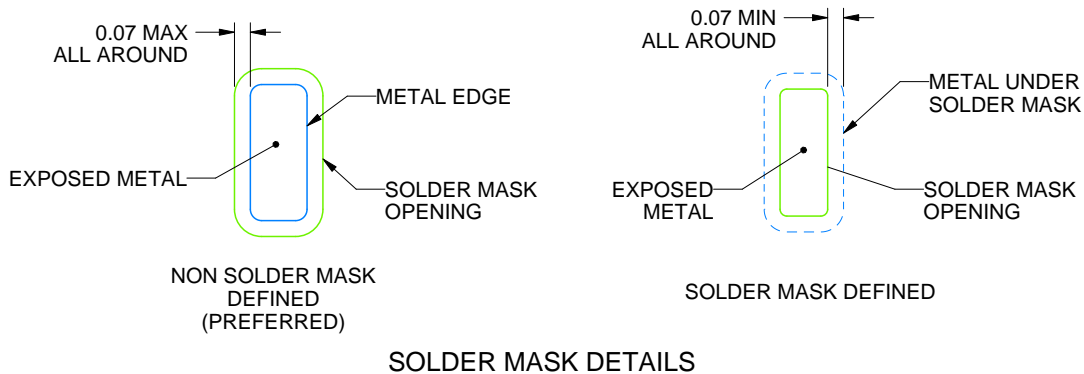
NKB0060B

VQFN - 0.8 mm max height

PLASTIC QUAD FLATPACK - NO LEAD



LAND PATTERN EXAMPLE  
EXPOSED METAL SHOWN  
SCALE: 8X



4214995/A 03/2018

NOTES: (continued)

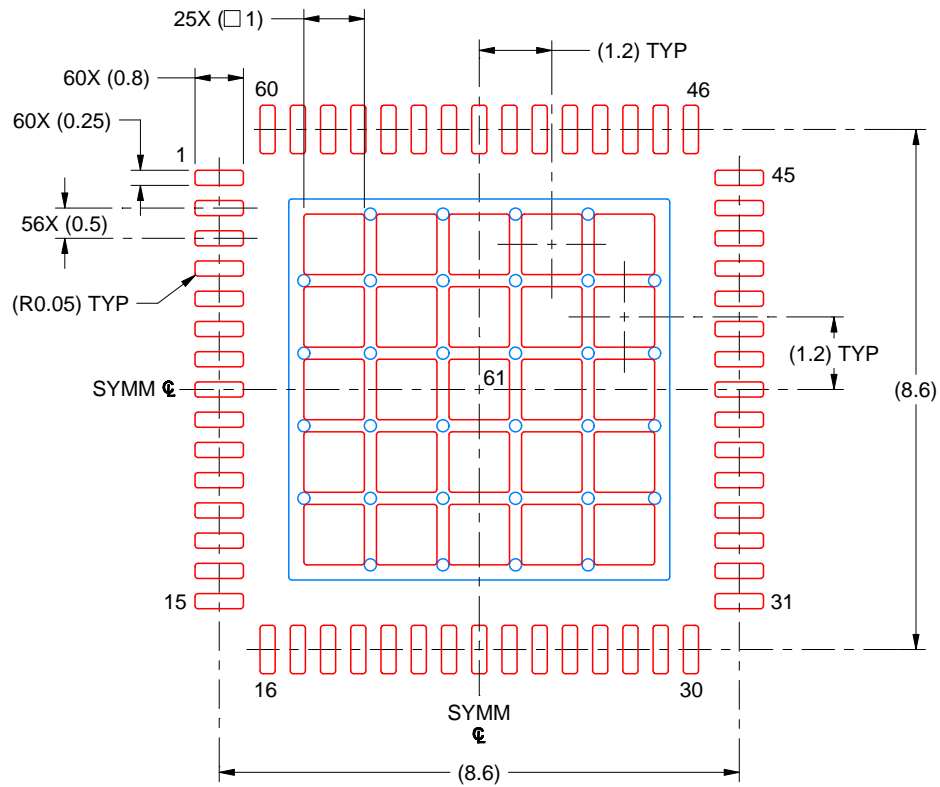
- This package is designed to be soldered to a thermal pad on the board. For more information, see Texas Instruments literature number SLUA271 ([www.ti.com/lit/slua271](http://www.ti.com/lit/slua271)).
- Vias are optional depending on application, refer to device data sheet. If any vias are implemented, refer to their locations shown on this view. It is recommended that vias under paste be filled, plugged or tented.

# EXAMPLE STENCIL DESIGN

NKB0060B

VQFN - 0.8 mm max height

PLASTIC QUAD FLATPACK - NO LEAD



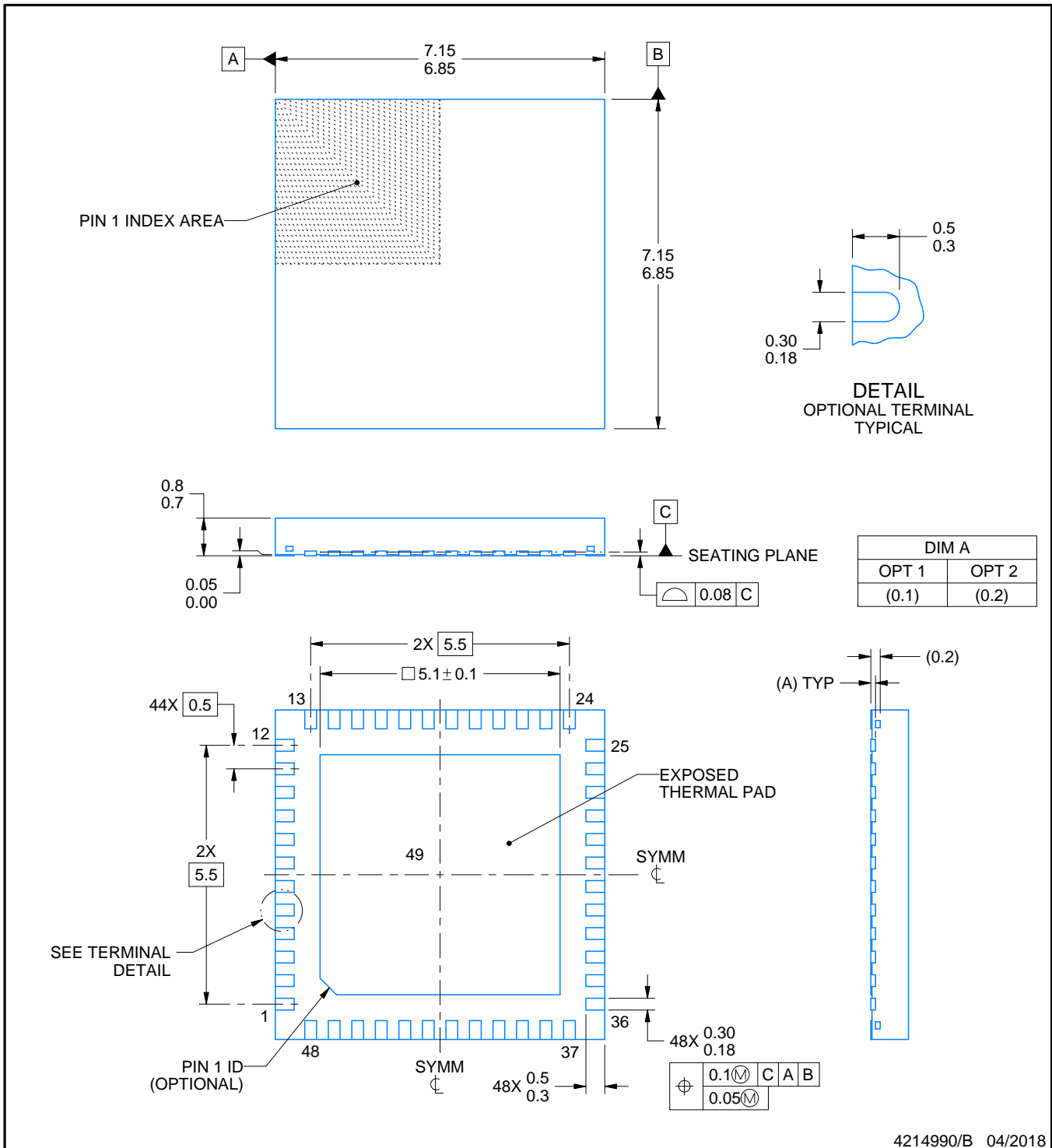
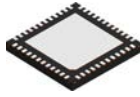
SOLDER PASTE EXAMPLE  
BASED ON 0.125 MM THICK STENCIL  
SCALE: 8X

EXPOSED PAD 61  
63% PRINTED SOLDER COVERAGE BY AREA UNDER PACKAGE

4214995/A 03/2018

NOTES: (continued)

6. Laser cutting apertures with trapezoidal walls and rounded corners may offer better paste release. IPC-7525 may have alternate design recommendations.



NOTES:

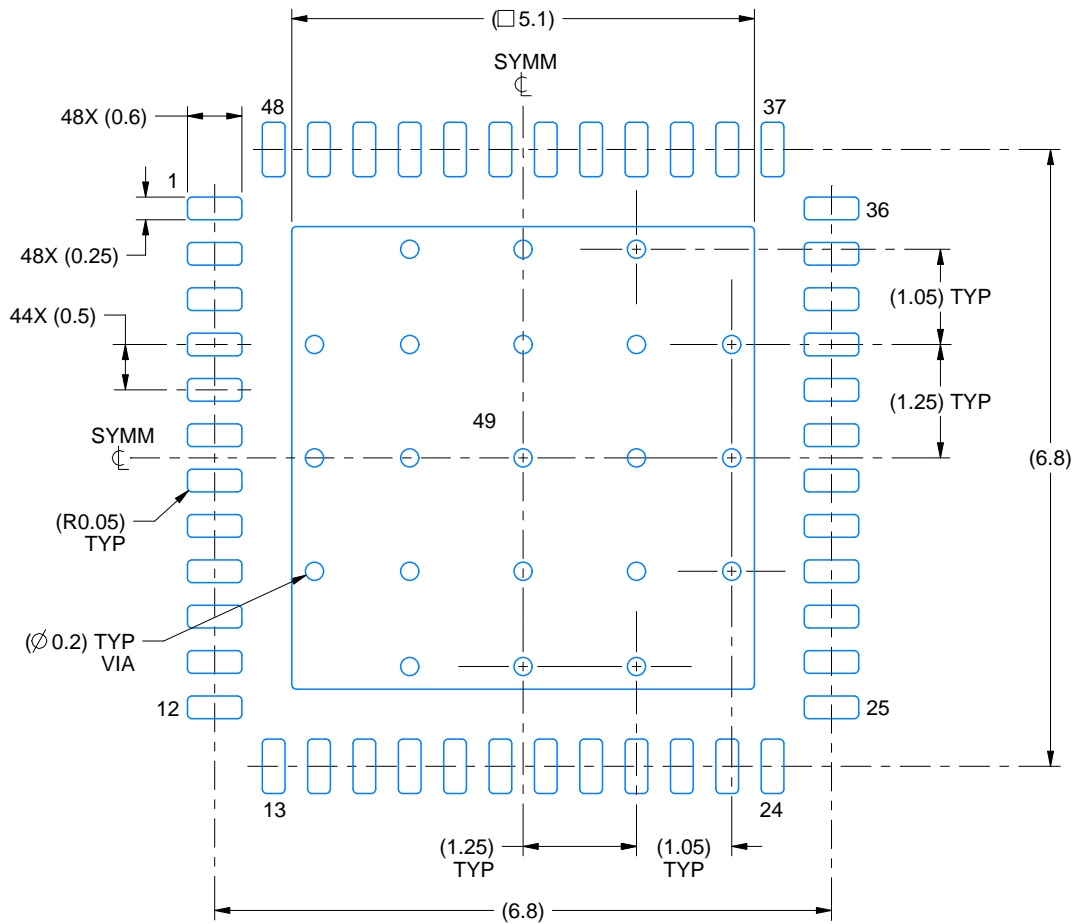
1. All linear dimensions are in millimeters. Any dimensions in parenthesis are for reference only. Dimensioning and tolerancing per ASME Y14.5M.
2. This drawing is subject to change without notice.
3. The package thermal pad must be soldered to the printed circuit board for thermal and mechanical performance.

# EXAMPLE BOARD LAYOUT

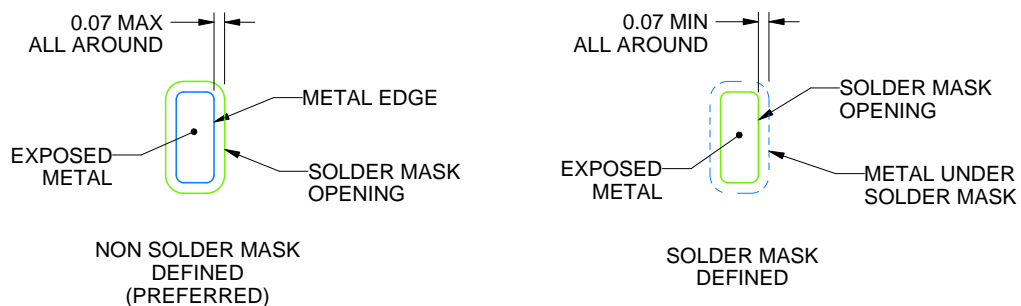
RHS0048A

WQFN - 0.8 mm max height

PLASTIC QUAD FLATPACK - NO LEAD



**LAND PATTERN EXAMPLE**  
EXPOSED METAL SHOWN  
SCALE:12X



**SOLDER MASK DETAILS**

4214990/B 04/2018

NOTES: (continued)

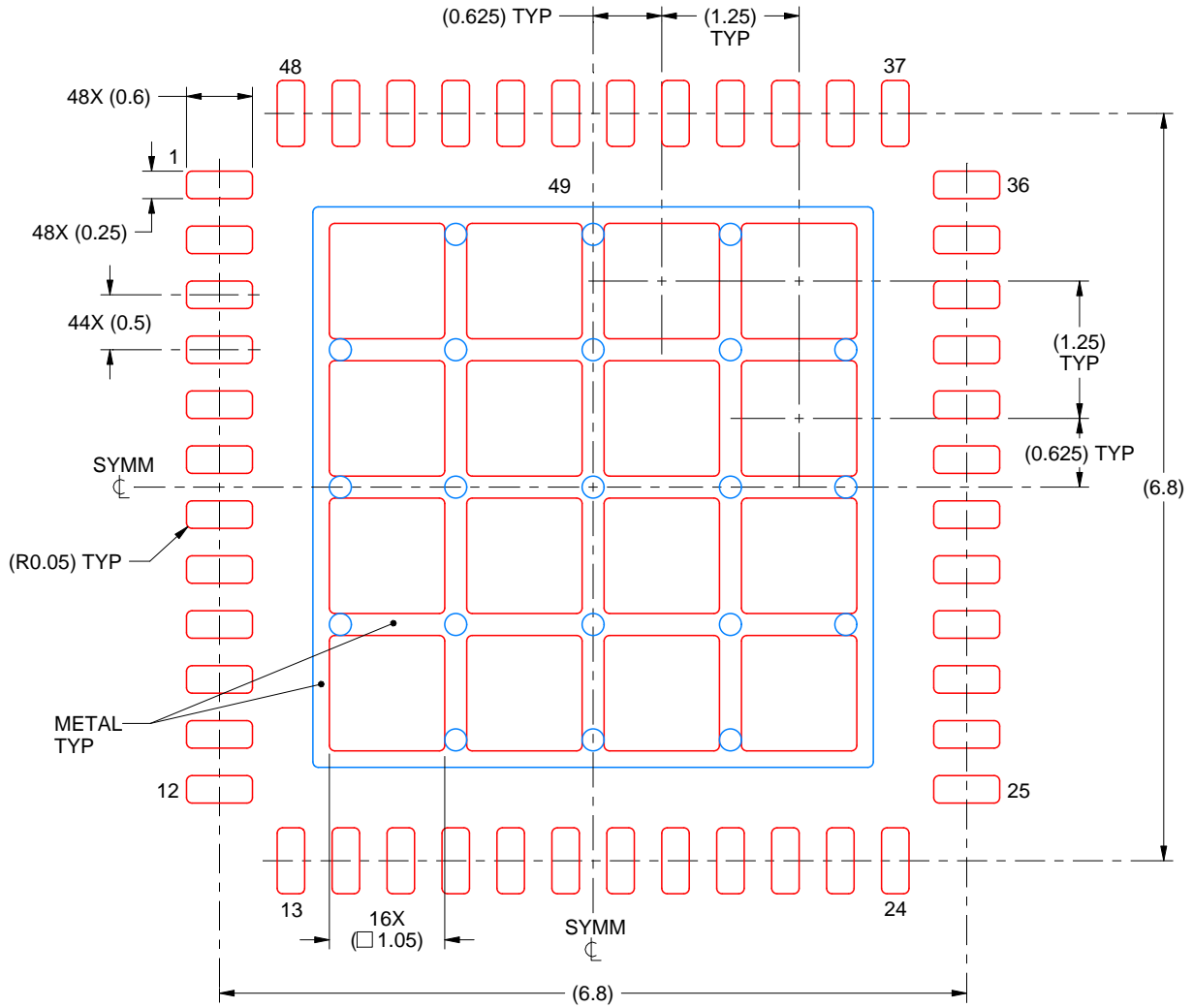
4. This package is designed to be soldered to a thermal pad on the board. For more information, see Texas Instruments literature number SLUA271 ([www.ti.com/lit/sluea271](http://www.ti.com/lit/sluea271)).
5. Vias are optional depending on application, refer to device data sheet. If any vias are implemented, refer to their locations shown on this view. It is recommended that vias under paste be filled, plugged or tented.

# EXAMPLE STENCIL DESIGN

RHS0048A

WQFN - 0.8 mm max height

PLASTIC QUAD FLATPACK - NO LEAD



SOLDER PASTE EXAMPLE  
BASED ON 0.125 mm THICK STENCIL

EXPOSED PAD 49  
68% PRINTED SOLDER COVERAGE BY AREA UNDER PACKAGE  
SCALE:15X

4214990/B 04/2018

NOTES: (continued)

6. Laser cutting apertures with trapezoidal walls and rounded corners may offer better paste release. IPC-7525 may have alternate design recommendations.

## IMPORTANT NOTICE AND DISCLAIMER

TI PROVIDES TECHNICAL AND RELIABILITY DATA (INCLUDING DATASHEETS), DESIGN RESOURCES (INCLUDING REFERENCE DESIGNS), APPLICATION OR OTHER DESIGN ADVICE, WEB TOOLS, SAFETY INFORMATION, AND OTHER RESOURCES "AS IS" AND WITH ALL FAULTS, AND DISCLAIMS ALL WARRANTIES, EXPRESS AND IMPLIED, INCLUDING WITHOUT LIMITATION ANY IMPLIED WARRANTIES OF MERCHANTABILITY, FITNESS FOR A PARTICULAR PURPOSE OR NON-INFRINGEMENT OF THIRD PARTY INTELLECTUAL PROPERTY RIGHTS.

These resources are intended for skilled developers designing with TI products. You are solely responsible for (1) selecting the appropriate TI products for your application, (2) designing, validating and testing your application, and (3) ensuring your application meets applicable standards, and any other safety, security, or other requirements. These resources are subject to change without notice. TI grants you permission to use these resources only for development of an application that uses the TI products described in the resource. Other reproduction and display of these resources is prohibited. No license is granted to any other TI intellectual property right or to any third party intellectual property right. TI disclaims responsibility for, and you will fully indemnify TI and its representatives against, any claims, damages, costs, losses, and liabilities arising out of your use of these resources.

TI's products are provided subject to TI's Terms of Sale ([www.ti.com/legal/termsofsale.html](http://www.ti.com/legal/termsofsale.html)) or other applicable terms available either on [ti.com](http://ti.com) or provided in conjunction with such TI products. TI's provision of these resources does not expand or otherwise alter TI's applicable warranties or warranty disclaimers for TI products.

Mailing Address: Texas Instruments, Post Office Box 655303, Dallas, Texas 75265  
Copyright © 2020, Texas Instruments Incorporated