

THIS DRAWING IS UNPUBLISHED.

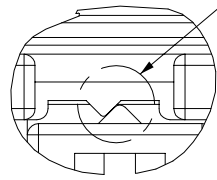
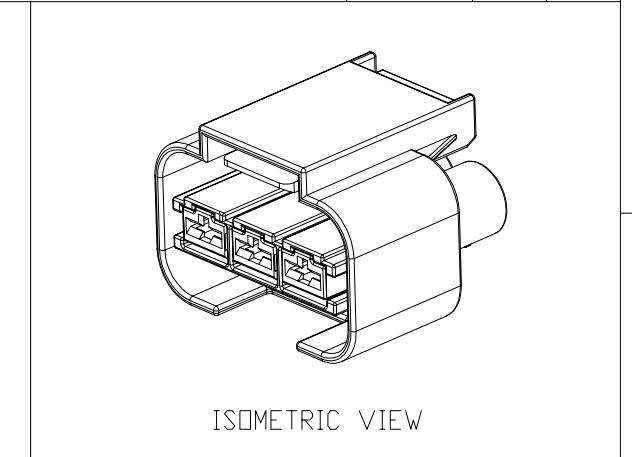
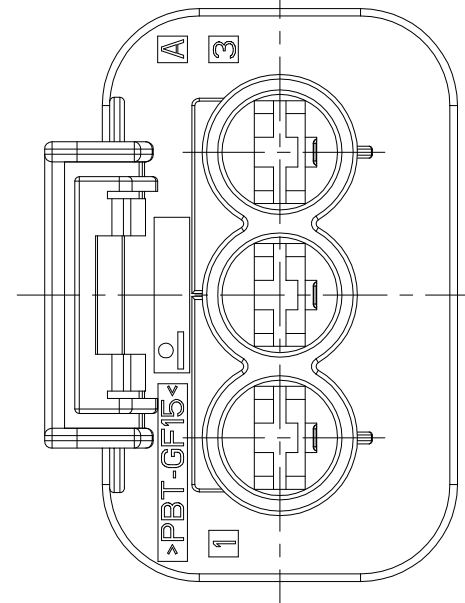
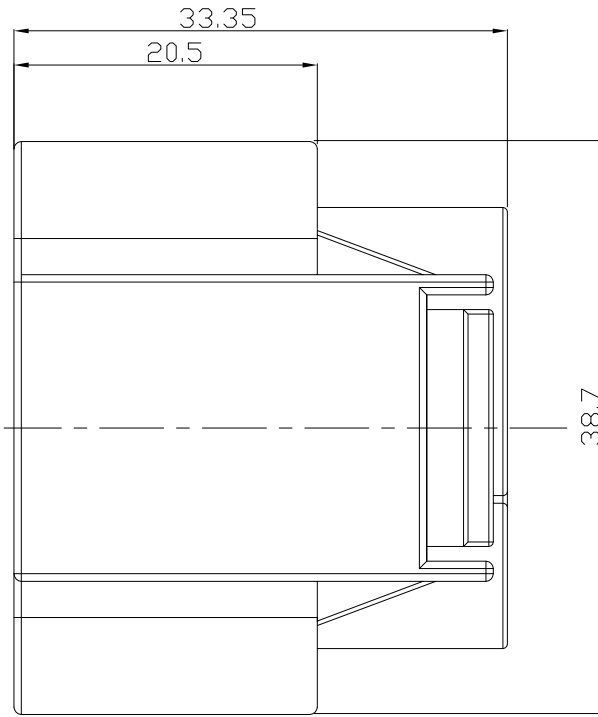
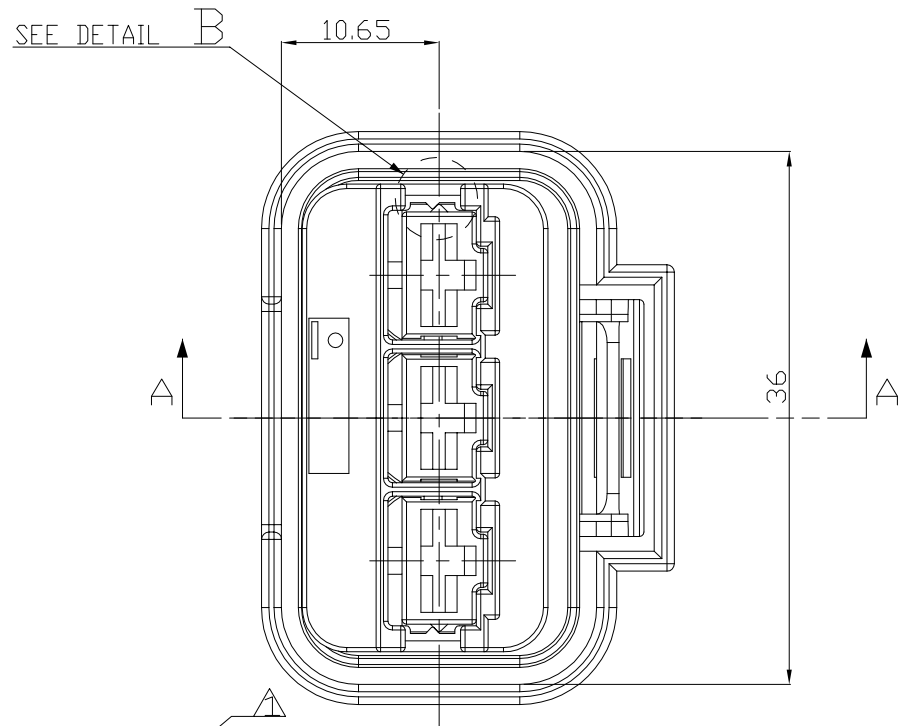
RELEASED FOR PUBLICATION

© COPYRIGHT

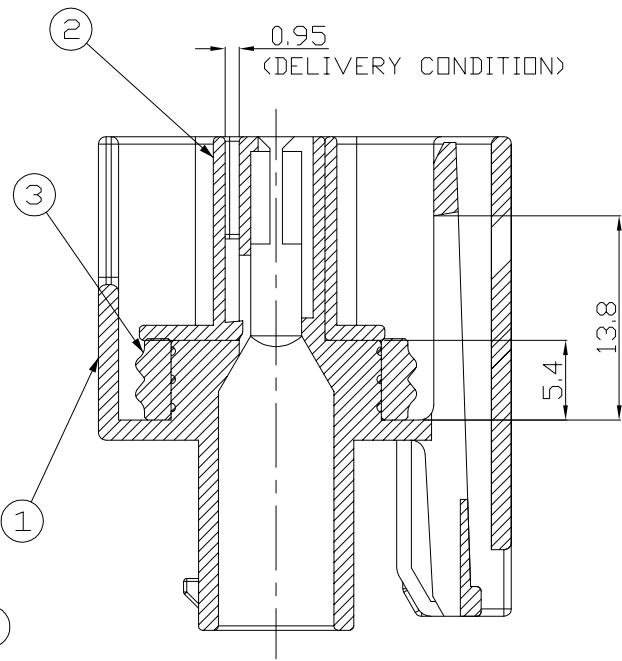
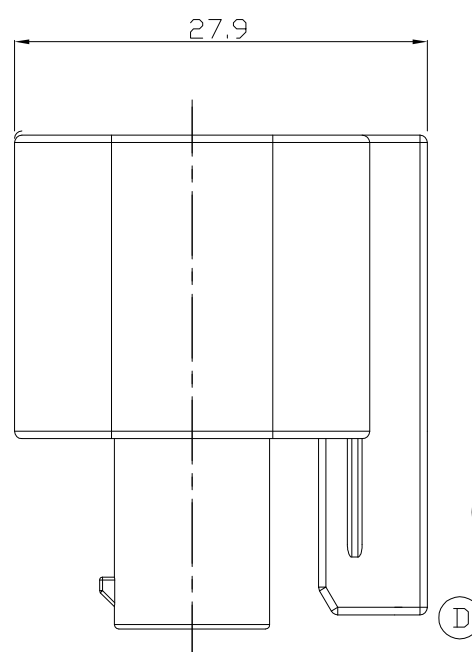
BY TYCO ELECTRONICS CORPORATION, ALL RIGHTS RESERVED.

REVISIONS

P	LTR	DESCRIPTION	DATE	DWN	APVD
	C	REVISED (ECR-09-019856)	07.SEP.'09	KT	HG
	D	REVISED (ECR-11-013882)	27.JUL.'11	SJ	HG
	D1	REVISED (ECR-14-012386)	30.SEP.'14	JM	HG



DETAIL B  
SCALE 5:1



SECTION A-A

NOTE

- 1. CONDITION OF DELIVERY : DBL HSG IN OPEN POSITION
- 2. APPLIED WIRE COVER HSG P/N : X-1743274-X  
(CORRUGATE DIA : φ9)
- 3. APPLICABLE RECEPTACLE CONTACT P/N :

CONTACT P/N	SPT TERMINAL		
	927836	927835	928966
WIRE SIZE(SQ)	0.5~1.0	1.0~2.5	2.5~4.0

- 4. GENERAL TOLERANCE : ±0.3, ±3°
- 5. APPLICABLE WIRE SEAL P/N :

PART NO.	WIRE INSULATION DIAMETER(mm)	COLOR
963243-1	1.4~2.1	BLUE
963244-1	2.2~3.0	WHITE
963245-1	3.4~3.7	YELLOW
100132-1	CAVITY PLUG	BLACK

NO	COLOR	MATERIAL	DESCRIPTION	Q'TY
③	RED ORANGE	SILICONE	INNER SEAL FOR SPT SEALED 3POS PLUG	1
②	NATURAL	PBT-GF10	DBL HSG FOR SPT SEALED 3POS PLUG	1
①	GRAY	PBT-GF15	STP SEALED 3POS PLUG HSG	1
	BLACK	PBT-GF15	STP SEALED 3POS PLUG HSG	

THIS DRAWING IS A CONTROLLED DOCUMENT FOR TYCO ELECTRONICS CORPORATION IT IS SUBJECT TO CHANGE AND THE CONTROLLING ENGINEERING ORGANIZATION SHOULD BE CONTACTED FOR THE LATEST REVISION.

DIMENSIONS: MM	TOLERANCES UNLESS OTHERWISE SPECIFIED:	DWN JM JEON
3rd ANGLE PROJECTION	0 PLC ± 1 PLC ± 2 PLC ± 3 PLC ± 4 PLC ± ANGLES ±	CHK JW JUNG
MATERIAL SEE TABLE	FINISH	APVD HG CHD
		PRODUCT SPEC
		APPLICATION SPEC
		WEIGHT

**TE** TE Connectivity

NAME  
SPT SEALED 3POS PLUG ASS'Y

SIZE	CAGE CODE	DRAWING NO	RESTRICTED TO
A3	00779	1743271	

SCALE 2:1 SHEET 1 OF 1 REV D1

# Mouser Electronics

Authorized Distributor

Click to View Pricing, Inventory, Delivery & Lifecycle Information:

[TE Connectivity:](#)

[1743271-2](#)