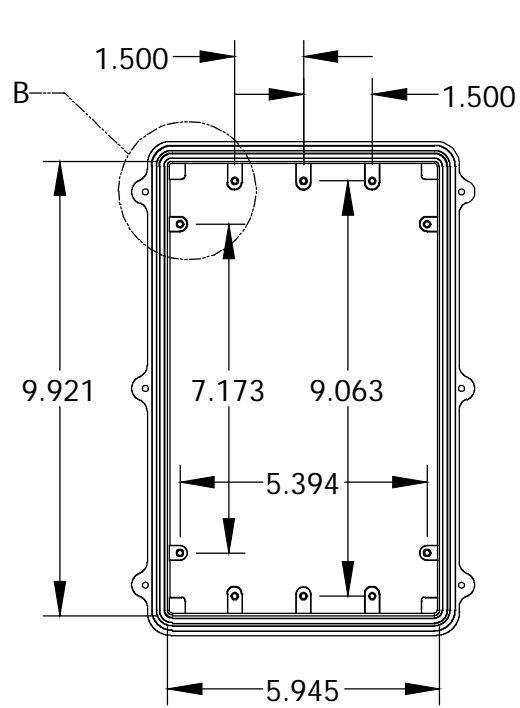
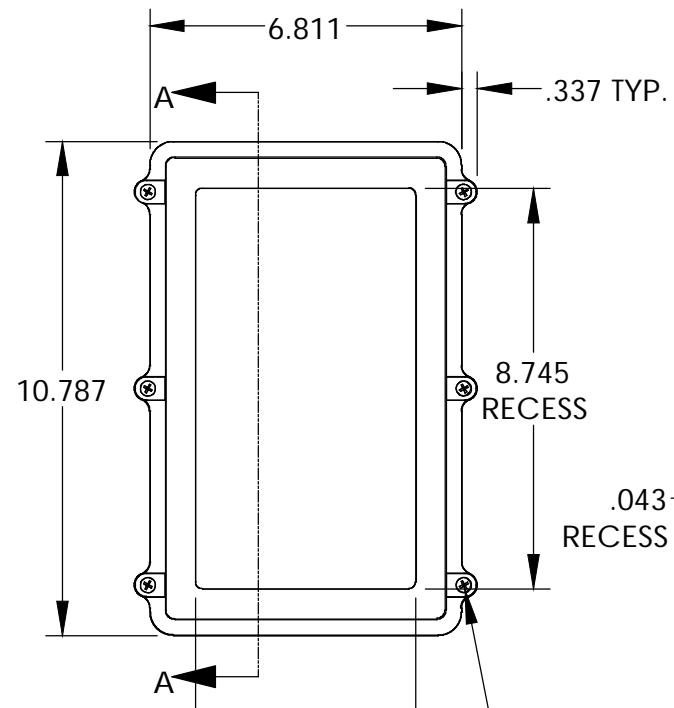


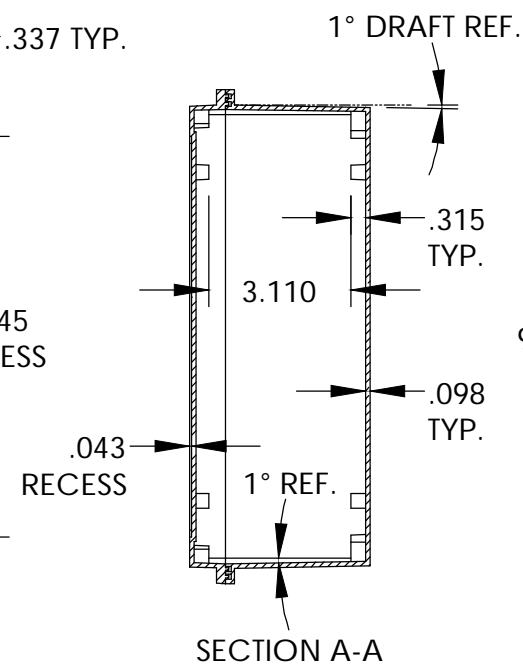
PART NAME	NEMA DIE CAST BOX WITH EMI/RFI SHIELDING	PART No.	ANS-3811 ANS-3811-B	REVISION DATE	10-6-09
-----------	--	----------	---------------------	---------------	---------



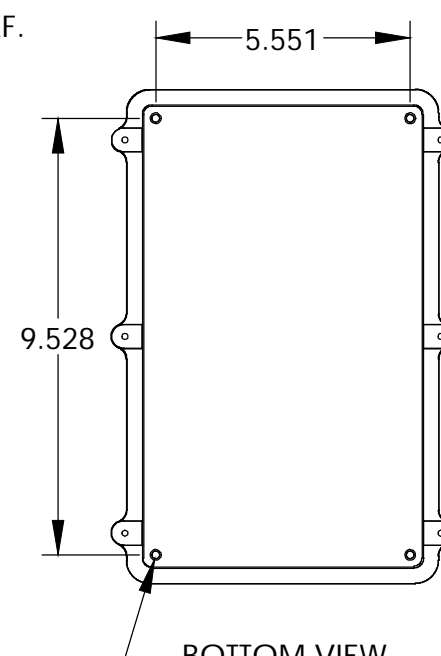
INSIDE BODY DETAILS



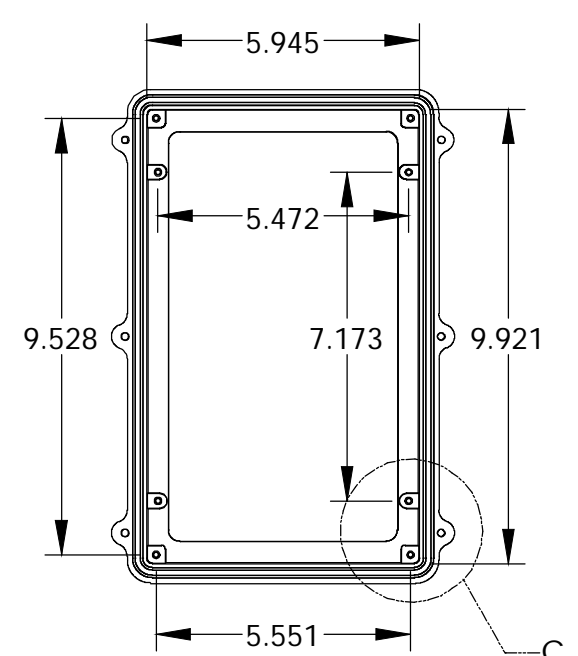
TOP VIEW



SECTION A-A



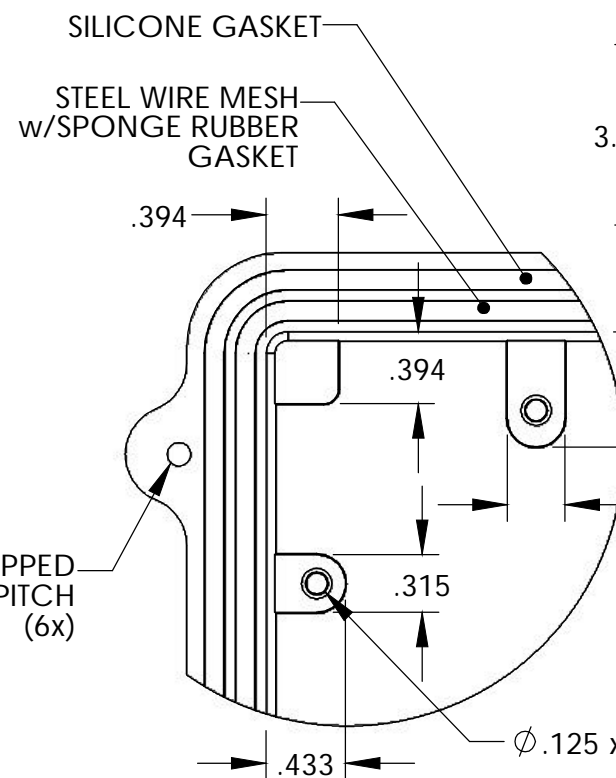
BOTTOM VIEW



INSIDE COVER DETAILS

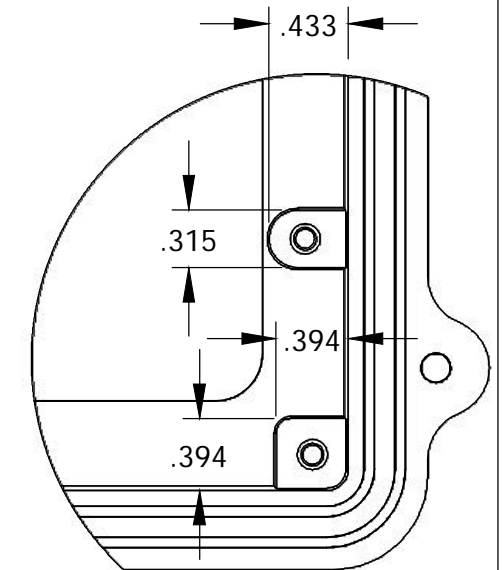
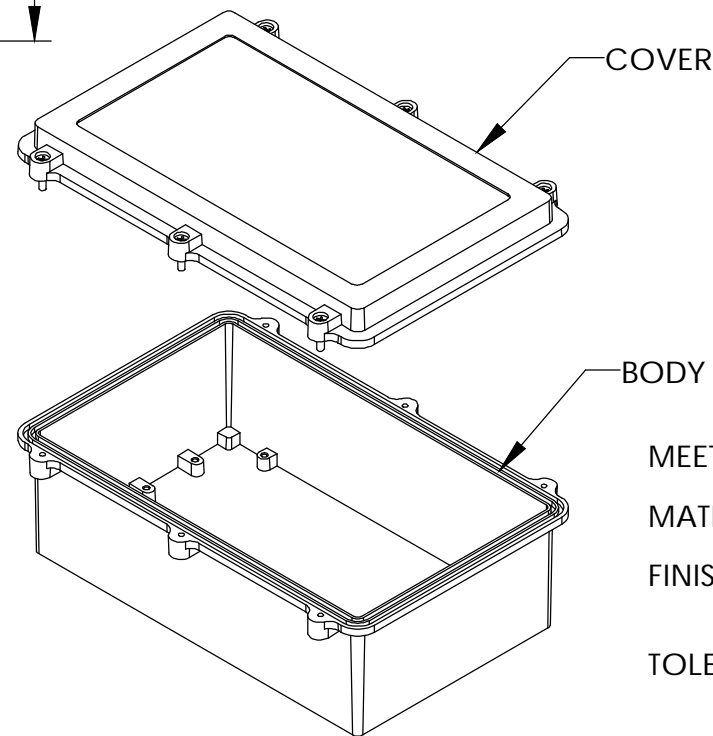
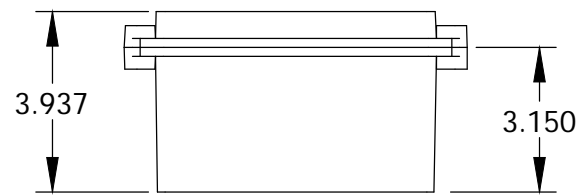
SIX (6) M4x0.7 PITCH x 20mm (.787") LG. STAINLESS STEEL CAPTIVE SCREWS

Ø.176 x .315 DEEP BLIND HOLE (4x)  
{ACCEPTS M5 x 10mm (.394") LG. SELF-TAPPING SCREWS (NOT SUPPLIED)}



DETAIL B  
SCALE 4 : 1

{ACCEPTS M3.5 x 6mm (.236") LG. SELF-TAPPING SCREWS (NOT SUPPLIED)}



DETAIL C  
SCALE 4 : 1

MEETS NEMA 1, 2, 4, 4X, 12, 13 AND IP65 RATINGS

MATERIAL - ALUMINUM ALLOY ADC-12

FINISH - NATURAL (NO SUFFIX PART NO.)  
- SMOOTH BLACK (-B SUFFIX PART NO.)

TOLERANCES: ALL HOLE DIAMETERS ±.005  
ALL OTHER DIMENSIONS ±.015

# Mouser Electronics

Authorized Distributor

Click to View Pricing, Inventory, Delivery & Lifecycle Information:

[Bud Industries:](#)

[ANS-3811-B](#) [ANS-3811](#)