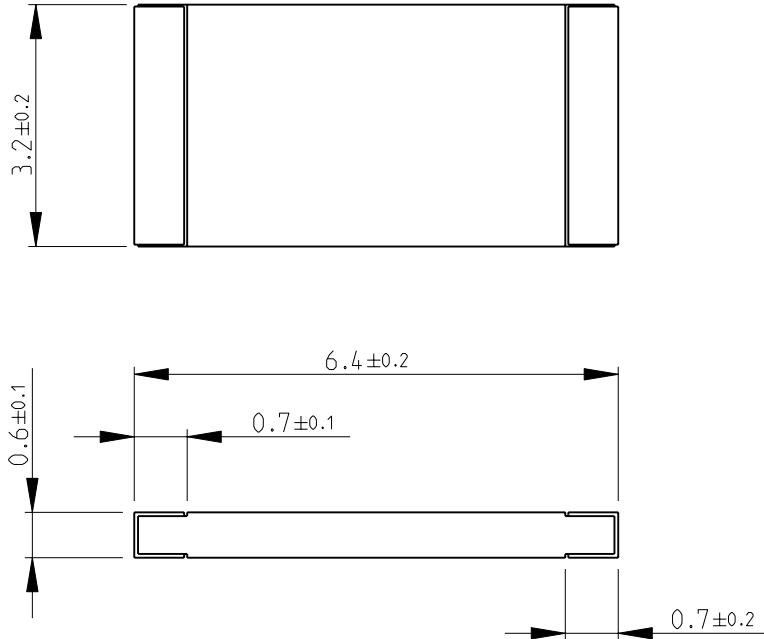
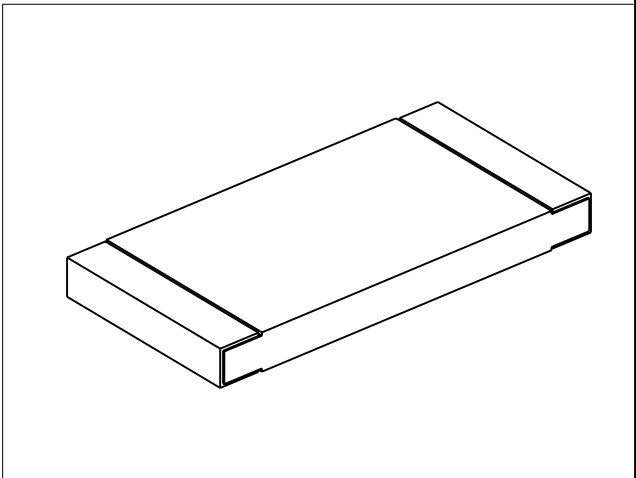


| LOC | DIST | REVISIONS | | | |
|-----|------|-------------|---------------------------|-----------|-----------|
| P | LTR | DESCRIPTION | DATE | DWN | APVD |
| E | B | BA1 | REVISED PER ECO-11-005150 | 28MAR2011 | RK HMR |
| | | | | | |
| | | | | | |



FOR FURTHER INFORMATION SEE DATA SHEET FOR
3520 SERIES-SMD POWER RESISTORS

RoHS Compliant



2008


RELEASED FOR PUBLICATION

ALL RIGHTS RESERVED.

THIS DRAWING IS UNPUBLISHED.

BY -

© COPYRIGHT 2008

| | | | | | | | | | | |
|--|-------------------|--------------|--|------|-----------|-------|------------|-----------|---------------|-----|
| DIMENSIONS: mm | DWN SUBHASH.M | 01-DEC-08 | MATERIAL | - | FINISH | - | | | | |
| | CHK PRAKASH.S | 01-DEC-08 |  TE Connectivity | | | | | | | |
| TOLERANCES UNLESS OTHERWISE SPECIFIED: | APVD STEPHEN.P | 01-DEC-08 | | | | | | | | |
| | 0 PLC ±0.2 | PRODUCT SPEC | NAME SMD POWER RESISTOR SERIES 3520 | | | | | | | |
| 1 PLC ±0.1 | APPLICATION SPEC | | | | | | | | | |
| 2 PLC ± | WEIGHT | - | SIZE | A 4 | CAGE CODE | 00779 | DRAWING NO | ©-1622820 | RESTRICTED TO | - |
| 3 PLC ± | CUSTOMER DRAWING | | SCALE | 10:1 | SHEET | 1 | OF | 1 | REV | BA1 |
| 4 PLC ± | | | | | | | | | | |
| ANGLES ±5° | | | | | | | | | | |

Mouser Electronics

Authorized Distributor

Click to View Pricing, Inventory, Delivery & Lifecycle Information:

[TE Connectivity:](#)

[3520220KJT](#)