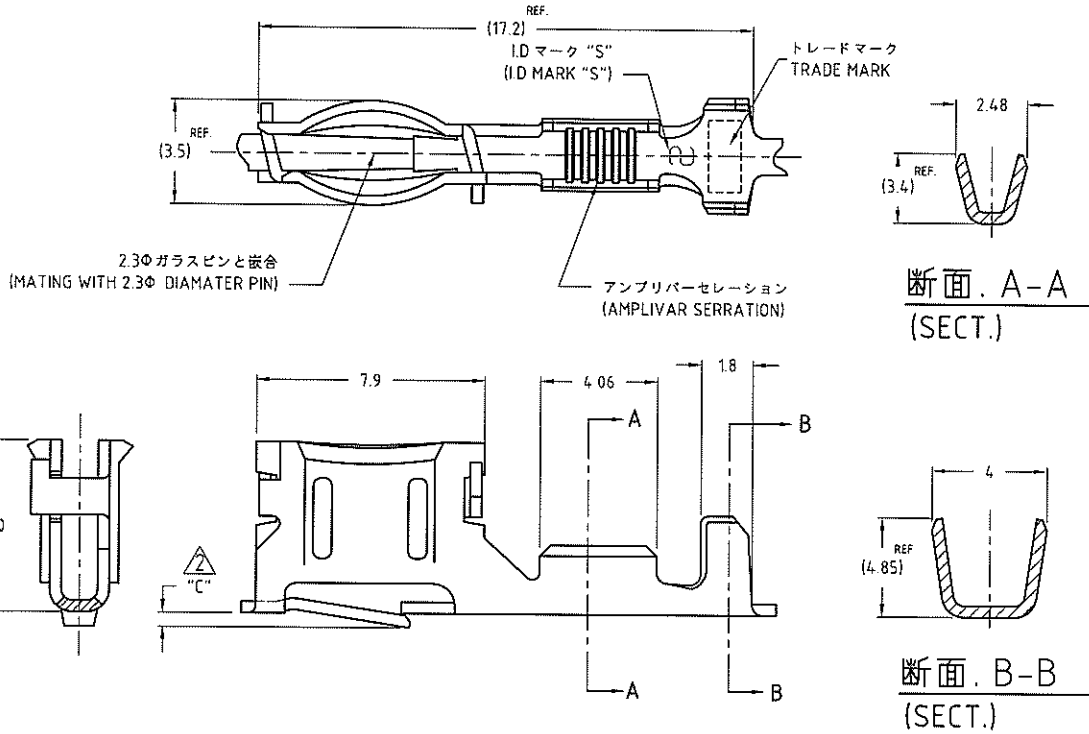


LOC J	DIST	REVISONS 変更			DATE	DWN	APVD
		P	LTR	DESCRIPTION			
		B1	REVISED	ECR-08-031186	17DEC2008	M.S	N.Y



注；
1. 適用ハウジング □-171370-□
△ランス高さ

	圧着前	圧着後
寸法 "C"	0.7MAX	0.7~1.6

NOTES;
1. APPLICABLE HSG □-171370-□
△ LANCE HEIGHT

	BEFORE CRIMPING	AFTER CRIMPING
DIMENSION "C"	0.7MAX	0.7~1.6

0.113~0.730mm ² (AWG #26~#16)	0.9~2.0mm
(WIRE RANGE) 抱合電線断面積	(INSULATION DIA) 被覆外径

1123655-1
型番 (P/N)

DIMENSIONS: 単位: 特 mm	DWN J.SATO	23MAY2007	MATERIAL 材料 磷青銅(PHOS-BRO)	FINISH 仕上 錫めっき(TIN PLATED)		
	CHK S.MANABE	25MAY2007	Tyco Electronics AMP K.K. Kawasaki, Japan			
TOLERANCES UNLESS OTHERWISE SPECIFIED: 一般公差 10 ≥ ± 0.2 > 10 ± 0.25 ± ± ±	APVD S.MANABE	25MAY2007			NAME 名称 (2.3 DIA CLUSTER RECEPTACLE AMPLIVAR TYPE) 2.3 DIA クラスター リセプタクル アンプリバー タイプ	
	PRODUCT SPEC 製品規格 108-5574-1	APPLICATION SPEC 取付適用規格 114-5242-1	SIZE A4	CAGE CODE 00779	DRAWING NO 番号 C-1123655	RESTRICTED TO -
ANGLES ± 3DEG	WEIGHT	CUSTOMER DRAWING		SCALE 尺度 4:1	SHEET 1 OF 1	REV B1

THIS DRAWING IS UNPUBLISHED.
 BY TYCO ELECTRONICS CORPORATION.
 ALL RIGHTS RESERVED.

Mouser Electronics

Authorized Distributor

Click to View Pricing, Inventory, Delivery & Lifecycle Information:

[TE Connectivity:](#)

[1123655-1](#)