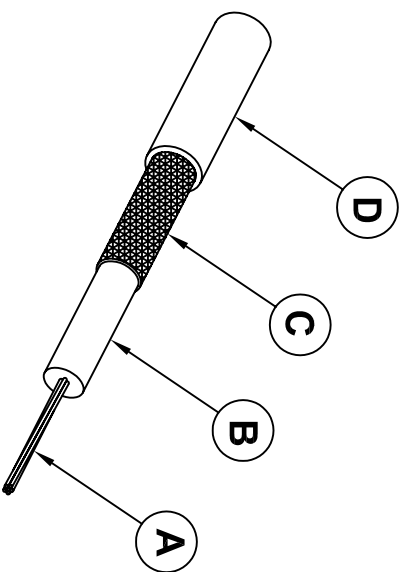


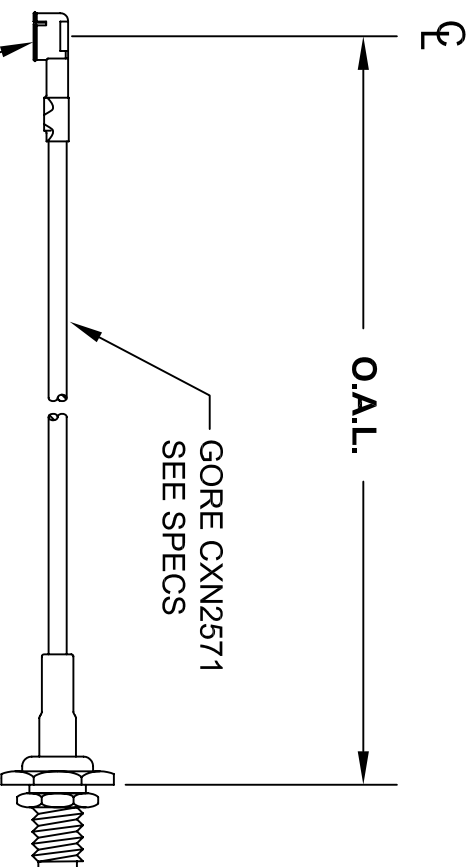
GORE CXN2571 COAXIAL CABLE SPECS



- CONSTRUCTION**
- A. CONDUCTOR: AWG 30 (7/38) SILVER PLATED COPPER CLAD STEEL, 0.012" NOMINAL
 - B. DIELECTRIC: FEP, .033" NOMINAL DIA.
 - C. SHIELD: AWG 40(1) SPC BRAIDED SHIELD
 - D. JACKET: GRAY FEP, 0.006" THICK, 0.058" +/- .003"

- REQUIREMENTS**
- 1. IMPEDANCE: 50 +/- 2 OHMS
 - 2. CAPACITANCE: 30 PF / FT NOM
 - 3. VELOCITY OF PROPAGATION: 69% OF AIR NOM
 - 4. ATTENUATION: 29dB/100FT NOM @ 400MHZ
49dB/100FT (EST.) @ 1GHZ
 - 5. DIELECTRIC BREAKDOWN: 1,000 VOLTS

REVISIONS			
REV	DESCRIPTION	DATE	APRV



HIR H.FL-LP-DFS111(01)
HIR H.FL-LP

SMA BLK HD JACK
KAI S-0381/1.5-50-S-TGN
OR EQUAL

CONFIDENTIAL

THIS DRAWING AND THE SPECIFICATIONS CONTAINED HEREIN ARE THE PROPERTY OF **KSM ELECTRONICS INC.** AND MAY NOT BE REPRODUCED OR USED IN WHOLE OR IN PART AS THE BASIS FOR MANUFACTURE OR SALE OF PRODUCTS WITHOUT WRITTEN PERMISSION OF **KSM ELECTRONICS INC.**



KSM Electronics Inc. 6630 N.W. 16TH Terrace
Ft. Lauderdale, FL 33309

DRAWN BY: **JOSHUA SALCEDO**

TITLE: **H.FL TO SMAJ BULKHEAD CABLE ASSEMBLY**

APPROVALS: **C. MURPHY**

SIZE: A	CAGE CODE: 67013	DRAWING NUMBER: KSM-1193-XX-X-SMAJ
SCALE: NONE	WEIGHT	SHEET 1 OF 1