

Signal lamps with lamp socket - E 10 (MES), 16.2 mm, housing

1.60.502.091/0000

Approval: VDE, SEV T70°C.



Please include the desired lens and LED / lamp in your order.

General information

Form of lens	round
Diameter of collar / lens	20 mm

Dimensions

Overall height	15.5 mm
Mounting depth	33 mm
Mounting hole	16.2 mm

Mechanical design

Mounting	ring nut
Terminals	screw terminals nickel-plated
Lamp socket	E 10
Lamp	LED or filament lamp

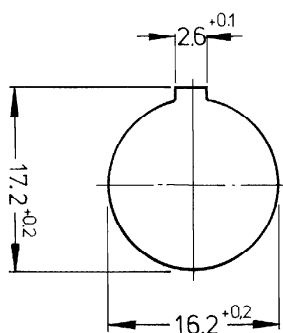
Electrical characteristics

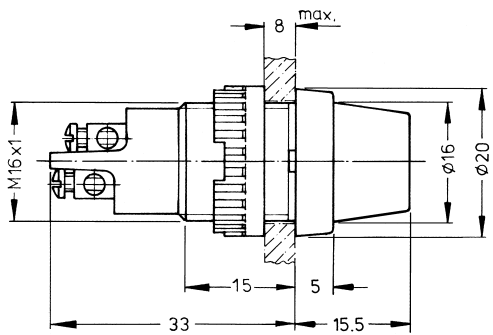
Voltage limit max.	250 V
Power limit max.	2 W

Other specifications

Degree of protection from front side	IP40 (DIN EN 60529)
Weight	11 g
ROHS compliant	yes
REACH compliant	yes

Panel cut-out





Mouser Electronics

Authorized Distributor

Click to View Pricing, Inventory, Delivery & Lifecycle Information:

RAFI:

[1.60.502.091/0000](#)