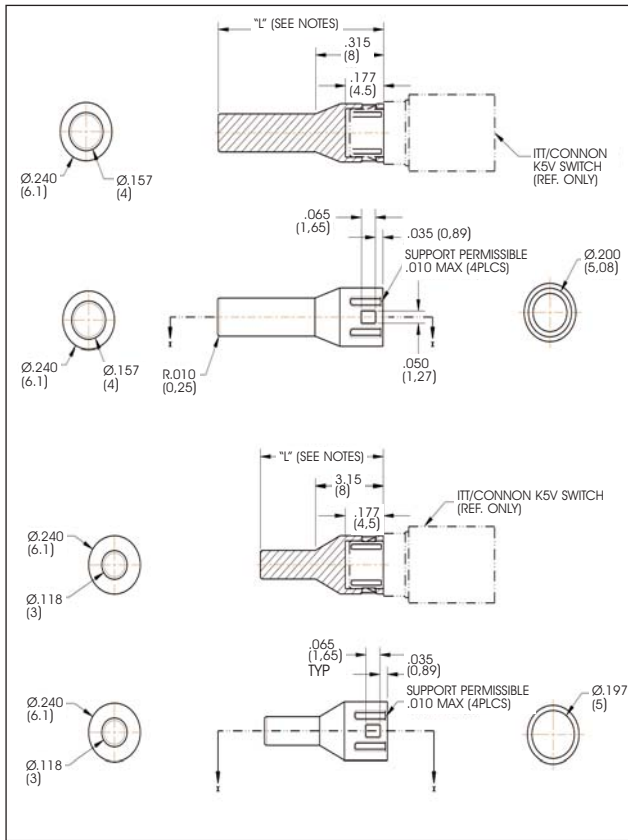




Optopipe® Lightpipe Actuator Extensions



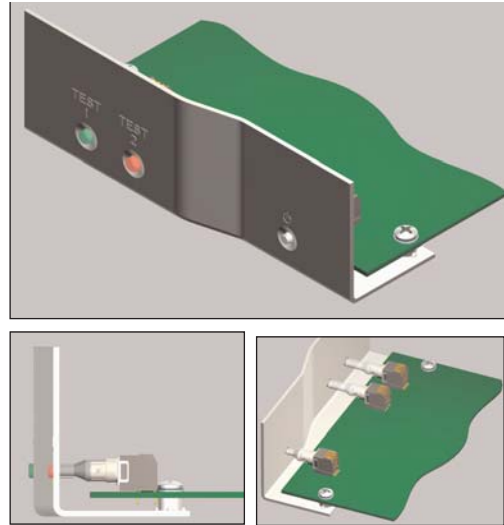
Features & Benefits

- Fits C&K K5V2 illuminated LED switch
- Available in 3mm and 4mm diameters
- Variable length from 10mm to 25mm
- RoHS compliant
- Custom color options available (consult factory)
- Custom length options available (consult factory)
- Opaque colors available for use with C&K K5V2 nonilluminated switches



Application

Dialight Optopipe® actuator extensions are designed for use with C&K K5V2 lighted tactile switches. These snap-in clear lenses do not need to sit on the edge of a PCB and is offered in a variety of sizes to accommodate a range of panel depths. Dialight Optopipe actuator extensions are ideal for server, storage, network infrastructure, automotive, and medical applications.



Order Code

515-114 X-XXX-F

Length in (mm)
Diameter (mm)

Part Numbers: 4mm diameter

Part Number	Length
515-1140-100F	10mm
515-1140-120F	12mm
515-1140-125F	12.5mm
515-1140-130F	13mm
515-1140-195F	19.5mm
515-1140-225F	22.5mm
515-1140-235F	23.5mm
515-1140-250F	25mm

Part Numbers: 3mm diameter

Part Number	Length
515-1149-145F	14.5mm



Dialight reserves the right to make changes at any time in order to supply the best product possible.

The most current version of this document will always be available at:

http://www.dialight.com/Assets/Brochures_And_Catalogs/Indication/MDELPE515X001.pdf

MDELPE515X001_A

Mouser Electronics

Authorized Distributor

Click to View Pricing, Inventory, Delivery & Lifecycle Information:

Dialight:

[515-1140-235F-GREY](#) [515-1140-225F](#) [515-1140-195F](#) [515-1140-225F-GREY](#) [515-1140-235F](#) [515-1140-195F-GREY](#) [515-1140-250F](#)