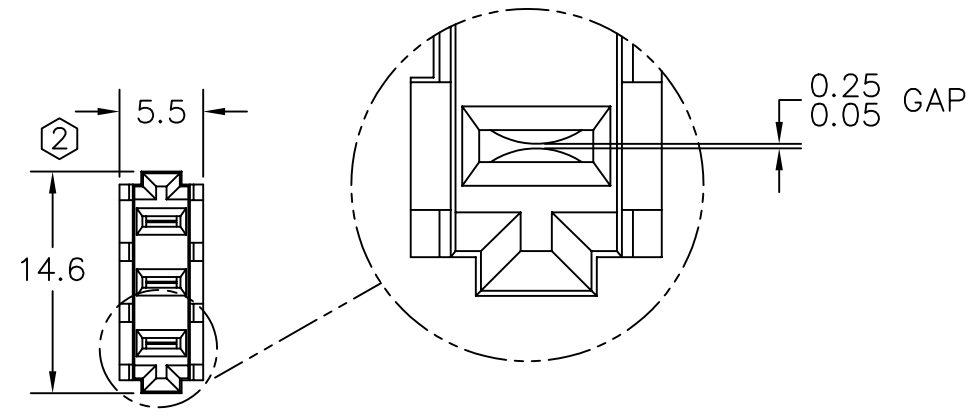
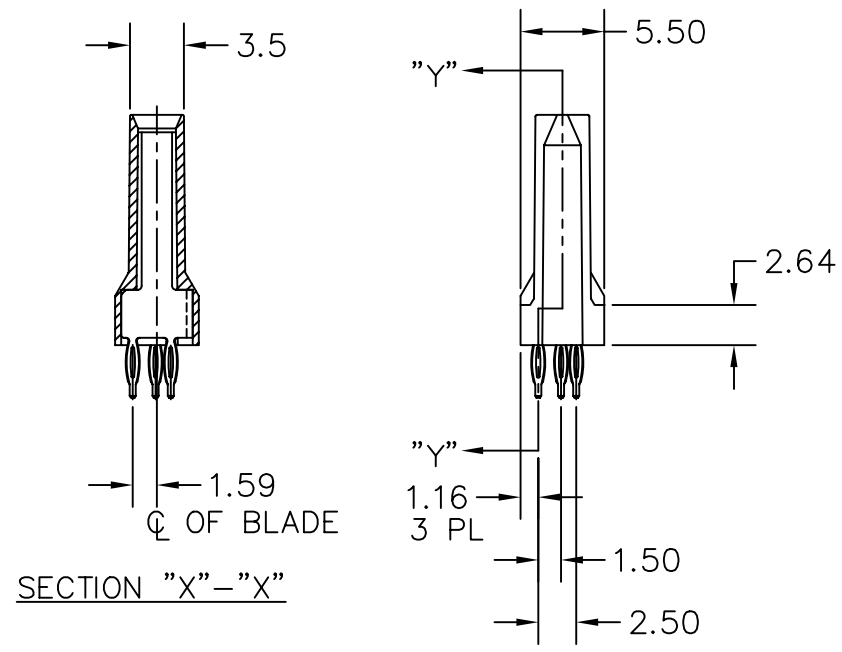


TABLE 1

PART NUMBER	INSULATOR NUMBER	CONTACT NUMBER	COLOR	PLATING DESCRIPTION
437-5040-000	437-0024-060	265-0000-735	BLACK	Ni SULFAMATE, STANDARD GOLD, LEADED
437-5060-000	437-0024-060	265-0000-732	BLACK	Ni SULFAMATE, HIGH GOLD, LEADED
437-6040-000	437-0024-060	265-0000-769	BLACK	Ni SULFAMATE, STANDARD GOLD, LEAD-FREE
437-6060-000	437-0024-060	265-0000-768	BLACK	Ni SULFAMATE, HIGH GOLD, LEAD-FREE
437-5740-000	437-0024-060	265-0000-804	BLACK	NANO Ni, STANDARD GOLD, LEADED
437-5760-000	437-0024-060	265-0000-803	BLACK	NANO Ni, HIGH GOLD, LEADED
437-6740-000	437-0024-060	265-0000-806	BLACK	NANO Ni, STANDARD GOLD, LEAD-FREE
437-6760-000	437-0024-060	265-0000-805	BLACK	NANO Ni, HIGH GOLD, LEAD-FREE

REV	SCR NO.	DESCRIPTION	BY	DATE	APPROVED
-	36846	NEW RELEASE	SG	10/18/01	W.LI
A	37485	ADDED TABLE 2	SG	1/15/02	W.LI
B	39045	UPDATED PART REV	SG	6/26/02	W.LI
C	40300	MODIFIED TABLE 2	SG	10/25/02	W.LI
D	MFID-69NK78.VER01	MODIFIED GAP TOLERANCE	SG	2/18/05	K.LEBLANC
E	DMAG-6BNMRJ.VER01	ADDED LEAD FREE PLATING	SG	4/21/05	S.BAIR
F	CSAS-7P7SJR.VER01	DRAWING TEMPLATE UPDATED TO ATCS	HCL-RB	2/24/09	U.MAYORAL
G	LCUN-7SNKW8.VER01	UPDATED TABLE 1, ADDED PLATING TYPE	HCL-RB	06/15/09	U.MAYORAL
H	CSAS-82CUAG.VER01	ADDED NEW PART NUMBERS IN TABLE 1 FOR NEW PLATING CODES.	HCL-MH	02/07/2010	C.SAMMIS

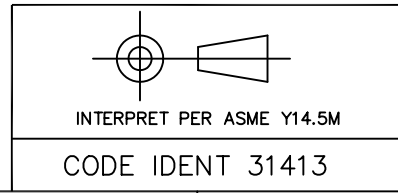


3. PART MARKING TO BE AS FOLLOWS:
 LINE 1: DATE CODE (YYWW)
 LINE 2-3: WORK ORDER NUMBER (*#####), WHERE (*) DENOTES MANUFACTURING LOCATION
 ② KEEP OUT ZONE FOR SURFACE TRACES.
 NOTES: ① FOR EACH ADDITIONAL POWER MODULE ADD 6.00mm.

TOLERANCES	DWN	10/18/01
0.0	± 0.25	S.GAGNON
0.00	± 0.13	CHK 10/19/01
0.000	± -	W.LI
ANGLES	± 2°	APVD 10/19/01
W.LI		

Amphenol TCS
 A Division of Amphenol Corporation
 200 Innovative Way, suite 201, Nashua, N.H. 03062 (603) 879-3000

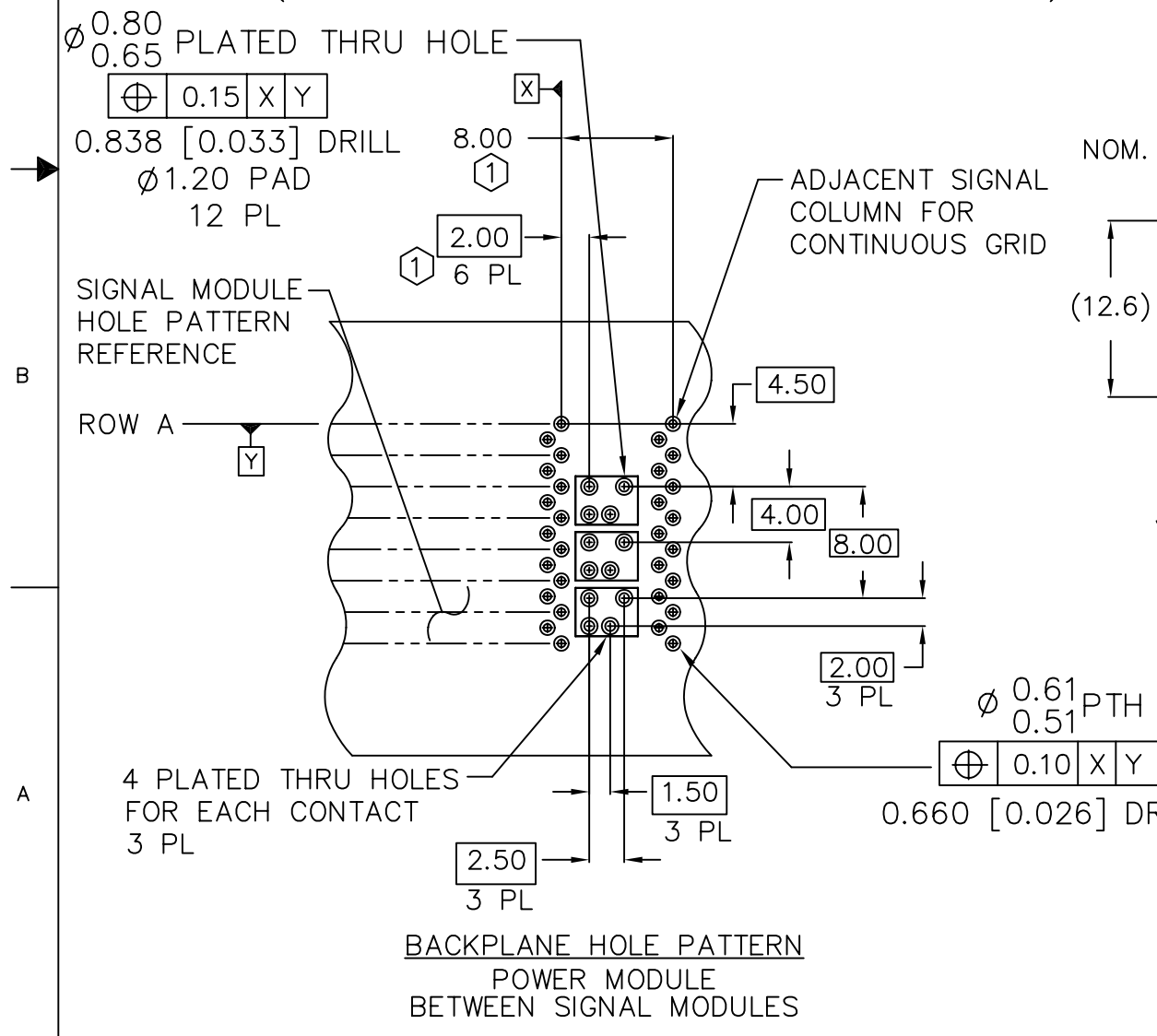
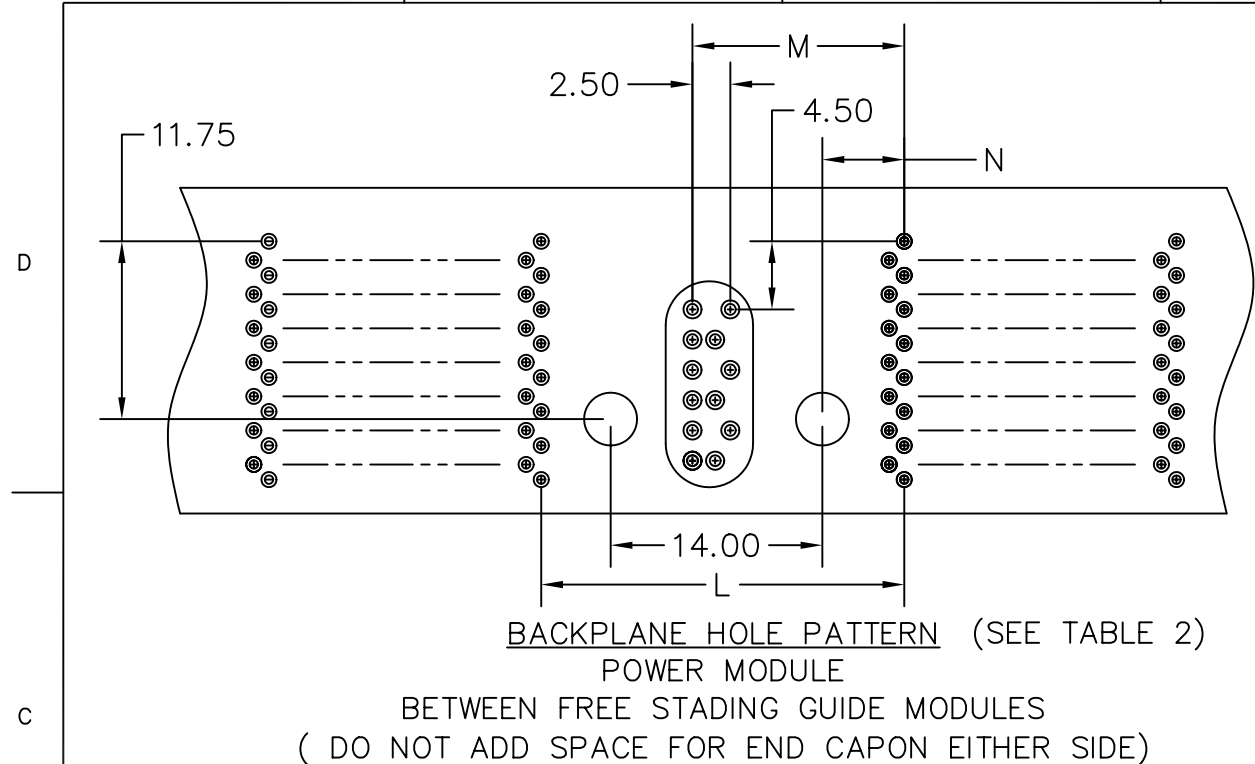
TITLE
 VHDM 8 ROW
 BACKPLANE
 POWER MODULE



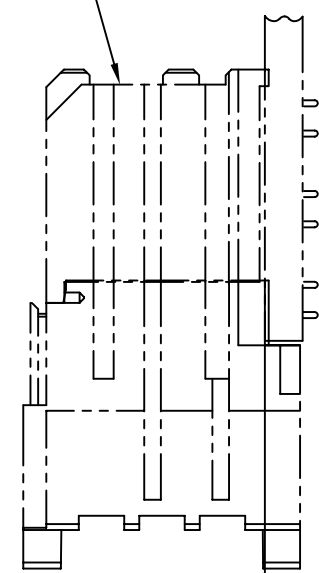
CUSTOMER USE
 DRAWING

PART NO.	SEE TABLE 1	REV	N/A
DRAWING NO.	C-437-5040-500	REV	H
SIZE B	SCALE 1/1	SHEET 1 OF 2	

REV	SCR NO.	DESCRIPTION	BY	DATE	APPROVED
		SEE SHEET 1			



DAUGHTERCARD
POWER CONNECTOR
REFERENCE



SIGNAL MODULE
REFERENCE

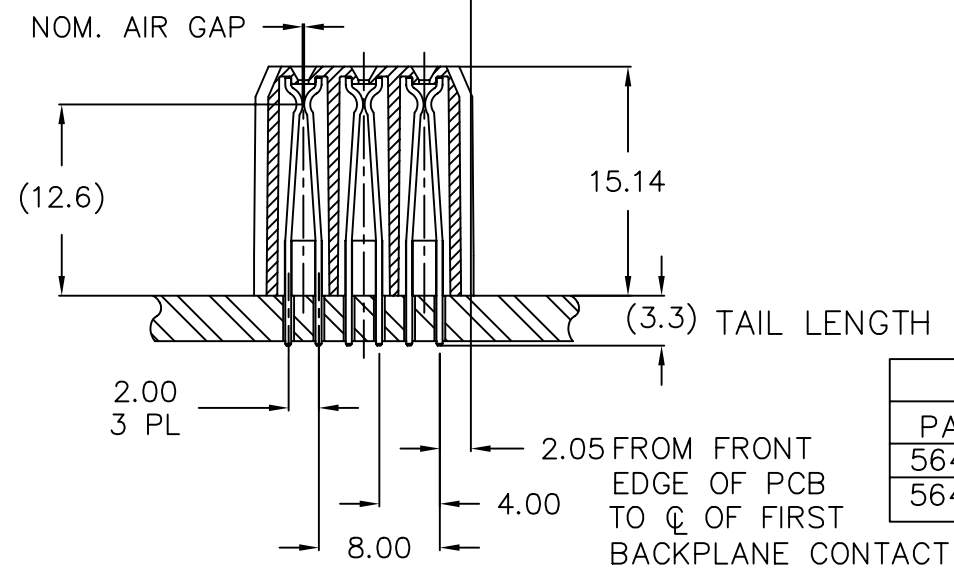
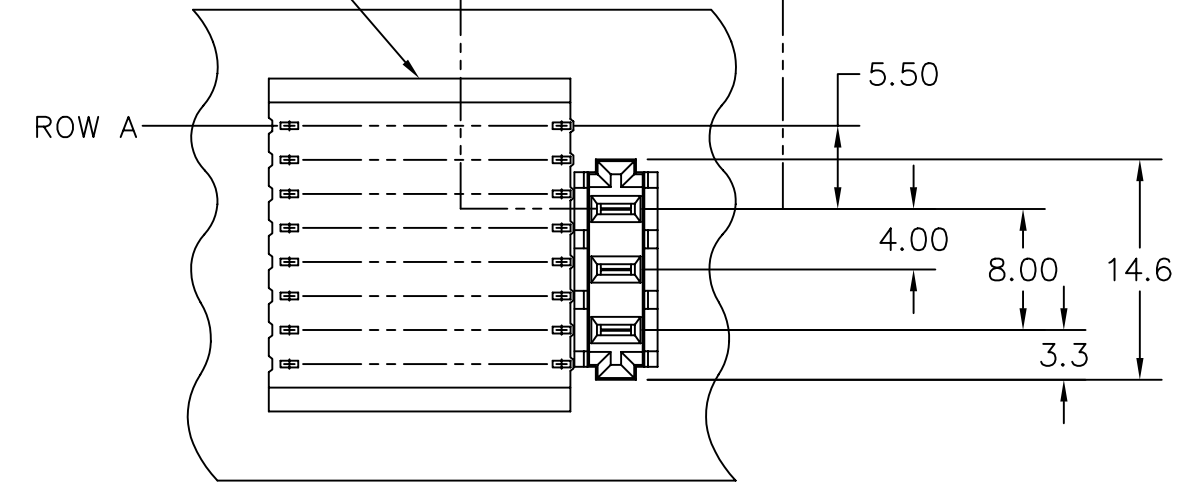


TABLE 2

PART NUMBER	DESCRIPTION	L	M	N
564-0383-553	FREE STANDING GUIDE PIN	24	14	5.41
564-0481-553	ESD ROUNDED GUIDE PIN	28	16	6.41

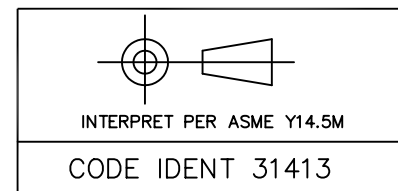
TOLERANCES

0.0	± 0.25	DWN 10/18/01 S.GAGNON
0.00	± 0.13	CHK 10/19/01 W.LI
0.000	± -	APVD 10/19/01 W.LI
ANGLES	± 2°	

UNLESS OTHERWISE SPECIFIED
DIMENSIONS ARE IN MILLIMETERS

Amphenol TCS
A Division of Amphenol Corporation
200 Innovative Way, suite 201, Nashua, N.H. 03062 (603) 879-3000

TITLE
VHDM 8 ROW
BACKPLANE
POWER MODULE



CUSTOMER USE
DRAWING

PART NO.	SEE TABLE 1	REV	N/A
DRAWING NO.	C-437-5040-500	REV	H
SIZE	B	SCALE	1/1
		SHEET	2 OF 2

DWG NO. C-437-5040-500 SH 2 REV H

Mouser Electronics

Authorized Distributor

Click to View Pricing, Inventory, Delivery & Lifecycle Information:

[Amphenol:](#)

[437-5040-000](#) [493-5010-004](#)