

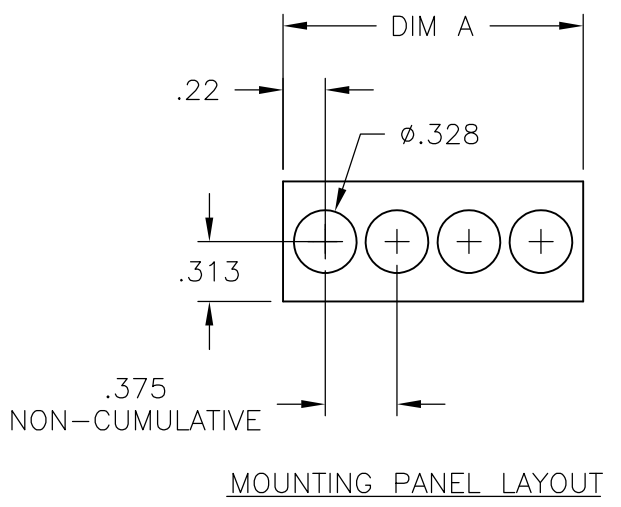
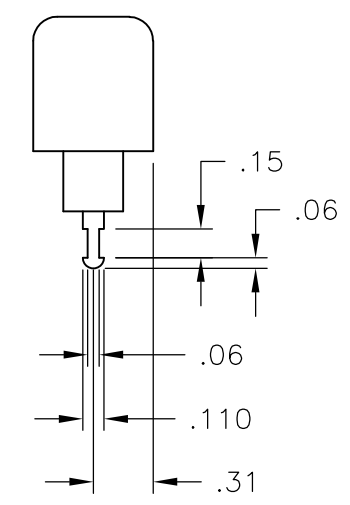
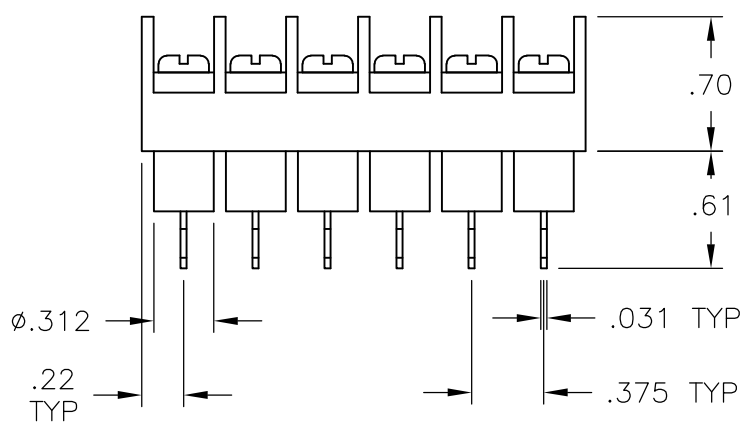
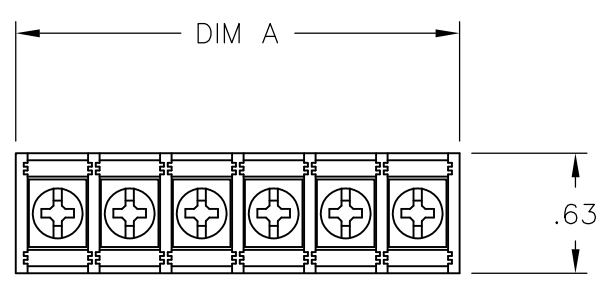
THIS DRAWING IS UNPUBLISHED. RELEASED FOR PUBLICATION  
 © COPYRIGHT BY TYCO ELECTRONICS CORPORATION. ALL RIGHTS RESERVED.

LOC	DIST	REVISIONS					
FT	0	P	LTR	DESCRIPTION	DATE	DWN	APVD
			B	REVISED PER ECO-10-013614	08OCT10	HMR	CR

**MATERIALS:**  
 HOUSING: THERMOPLASTIC, UL94V-0, BLACK.  
 TERMINALS: BRIGHT TIN OVER COPPER ALLOY.  
 SCREWS: #6-32 STEEL, ZINC PLATING W/ CLEAR CHROMATE.

**ELECTRICAL:**  
 RATED CURRENT: 20A  
 OPERATING VOLTAGE: 300V  
 WIRE RANGE: 12-22 AWG

**MECHANICAL:**  
 PITCH (TERMINAL SPACING): .375"  
 OPERATING TEMP.: 105° C MAX



9.436	25	JC6-T407-25	6-1546701-2
9.061	24	JC6-T407-24	6-1546701-1
8.686	23	JC6-T407-23	6-1546701-0
8.311	22	JC6-T407-22	5-1546701-9
7.936	21	JC6-T407-21	5-1546701-8
7.561	20	JC6-T407-20	5-1546701-7
7.186	19	JC6-T407-19	5-1546701-6
6.811	18	JC6-T407-18	5-1546701-5
6.436	17	JC6-T407-17	5-1546701-4
6.061	16	JC6-T407-16	5-1546701-3
5.686	15	JC6-T407-15	5-1546701-2
5.311	14	JC6-T407-14	5-1546701-1
4.936	13	JC6-T407-13	5-1546701-0
4.561	12	JC6-T407-12	4-1546701-9
4.186	11	JC6-T407-11	4-1436701-8
3.811	10	JC6-T407-10	4-1436701-7
3.436	9	JC6-T407-09	1-1437666-0
3.061	8	JC6-T407-08	4-1546701-6
2.686	7	JC6-T407-07	4-1546701-5
2.311	6	JC6-T407-06	4-1546701-4
1.936	5	JC6-T407-05	1437666-9
1.561	4	JC6-T407-04	1437666-8
1.186	3	JC6-T407-03	1437666-7
.811	2	JC6-T407-02	4-1546701-3

DIM A	NO OF POS	CATALOG NUMBER	PART NUMBER
-------	-----------	----------------	-------------

THIS DRAWING IS A CONTROLLED DOCUMENT.		DWN S SCHLEGEL 10/24/06	Tyco Electronics Corporation Harrisburg, PA 17105-3608	
DIMENSIONS: INCHES		CHK S YODER 10/24/06		
TOLERANCES UNLESS OTHERWISE SPECIFIED: 0 PLC ± - 1 PLC ± - 2 PLC ± .01 3 PLC ± .005 4 PLC ± - ANGLES ± -		APVD S YODER 10/24/06		
MATERIAL -		PRODUCT SPEC -	NAME JC6-T407-XX ASSEMBLY	
FINISH -		APPLICATION SPEC -	SIZE A3	CAGE CODE 00779
		WEIGHT -	DRAWING NO G-1437666-7	RESTRICTED TO -
CUSTOMER DRAWING			SCALE NTS	SHEET 1 OF 1
			REV B	

# Mouser Electronics

Authorized Distributor

Click to View Pricing, Inventory, Delivery & Lifecycle Information:

[TE Connectivity:](#)

[JC6-T407-05](#)