

THIS DRAWING IS UNPUBLISHED.

RELEASED FOR PUBLICATION

20

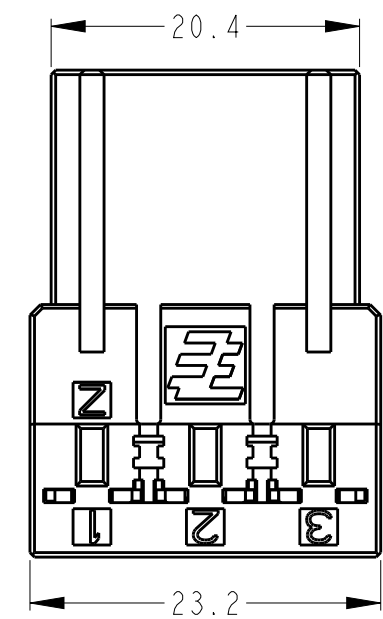
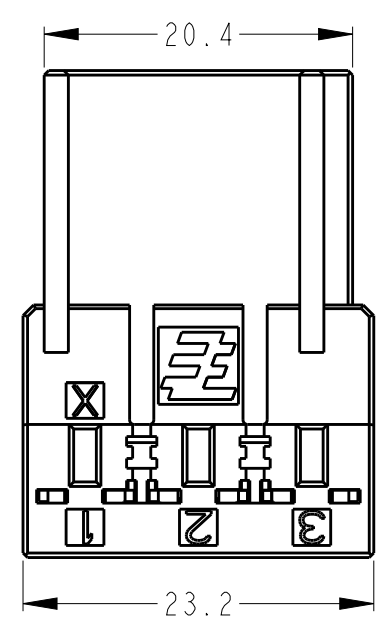
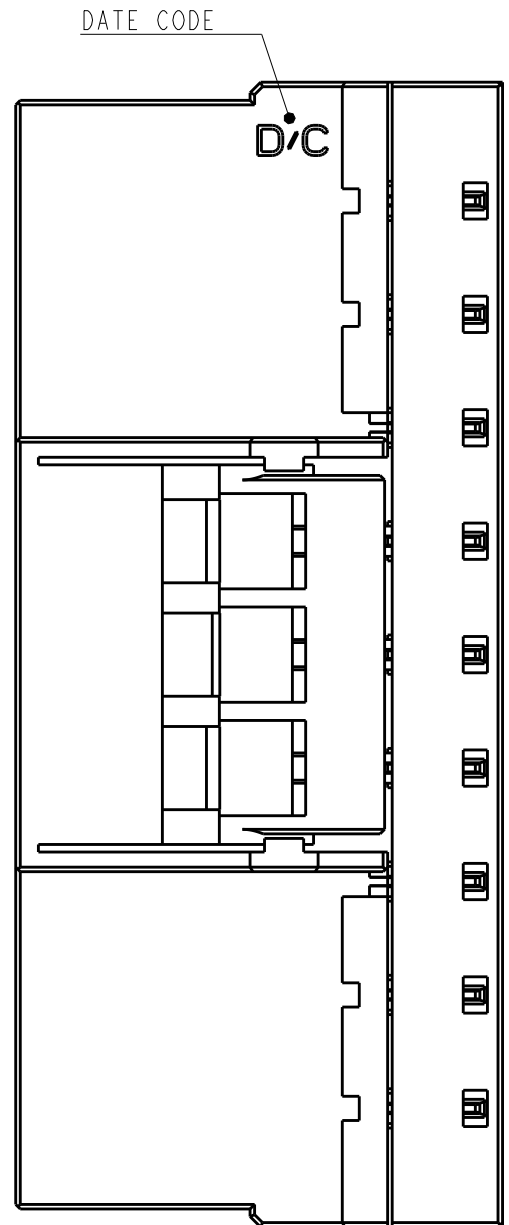
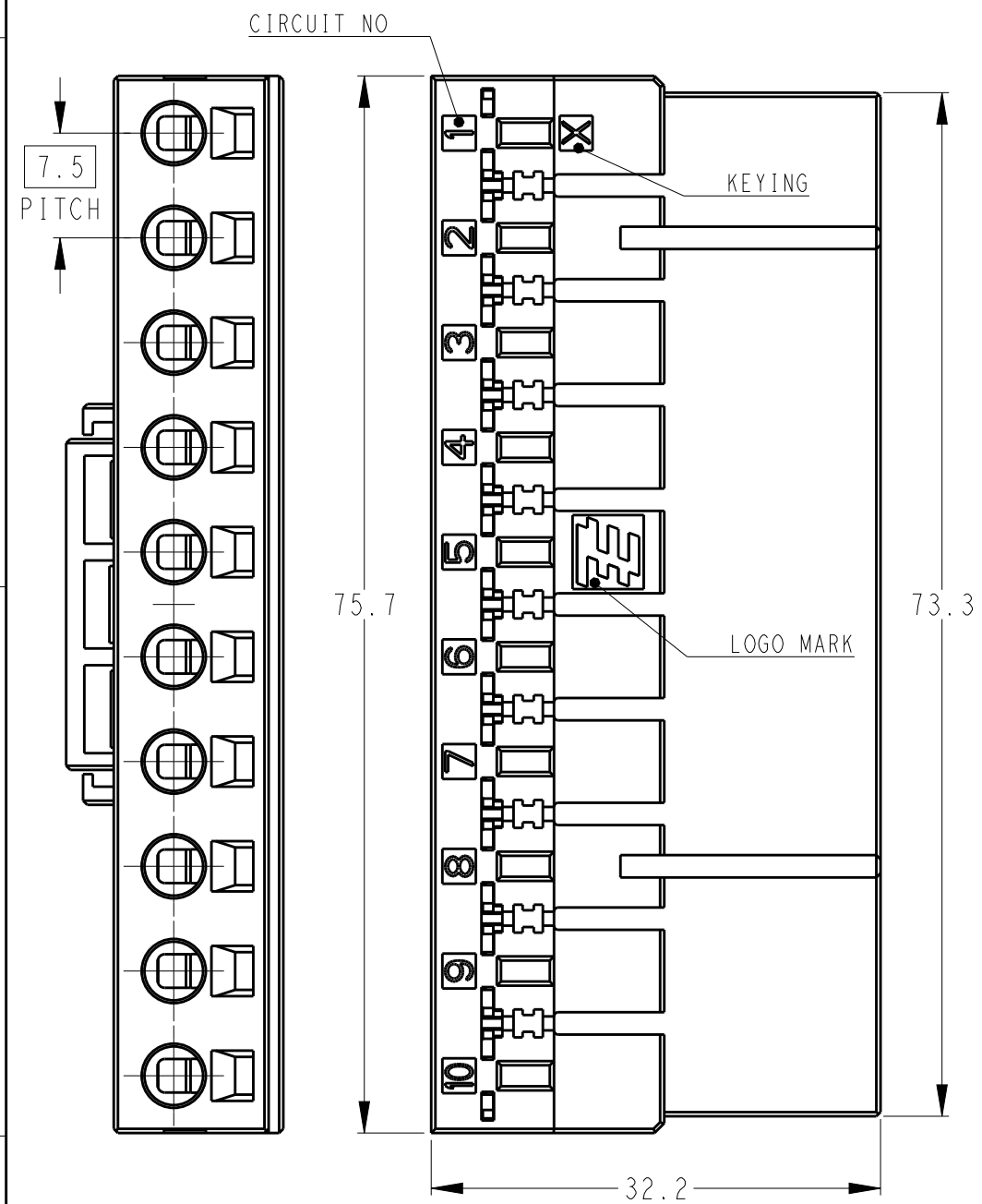
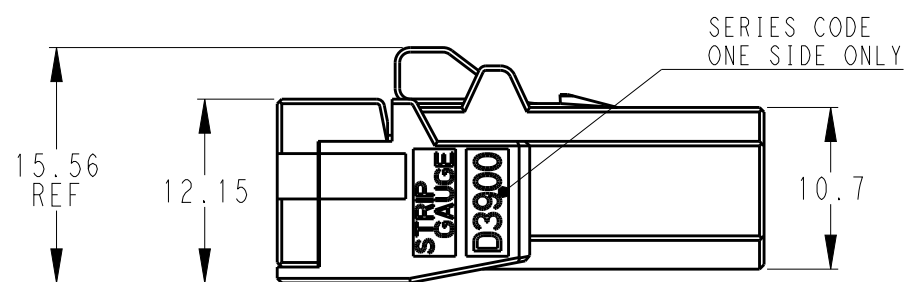
LOC J DIST -

REVISIONS

© COPYRIGHT 2011JUN BY Tyco Electronics Japan G.K. ALL RIGHTS RESERVED.

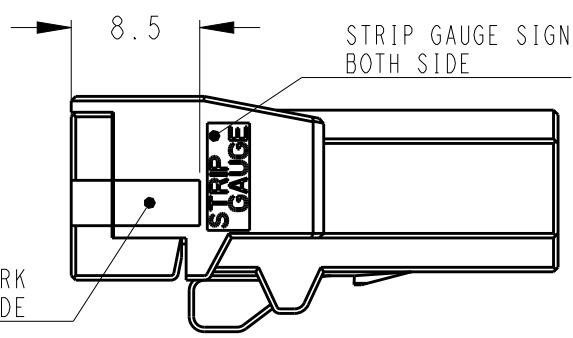
P	LTR	DESCRIPTION	ECN	DATE	DWN	APVD
A		RELEASED		19APR2010	T.K	T.M
B		ADDITION PART NO		02JUN2011	M.M	N.Y
C		REVISED		17JUN2014	H.O	N.Y

1-2134249-0 (10POS, X-KEY)



- 1. MATERIAL:  
HOUSING : THERMO PLASTIC POLYESTER (BLACK)
  - 2. MATERIAL:  
CONTACT : COPPER ALLOY  
FINISH : (ALL OVER)  
NICKEL PLATED 0.00127mmMIN (CONTACT AREA)  
GOLD PLATED 0.00038mmMIN OVER NICKEL (SPRING AREA)  
TIN PLATED 0.002mmMIN OVER NICKEL
  - 3. MATERIAL:  
SPRING : STAINLESS STEEL
4. SEE INSTRUCTION SHEET 411-78272

3	Z	3-2134249-3
10	X	1-2134249-0
3	X	1-2134249-3
POS	KEY	PART NO



THIS DRAWING IS A CONTROLLED DOCUMENT.		DWN T. KUDO 19APR2010		TE Connectivity	
DIMENSIONS: mm		CHK N. YAMASAKI 19APR2010			
TOLERANCES UNLESS OTHERWISE SPECIFIED: ±0.3, ±5°		APVD N. YAMASAKI 19APR2010		NAME DYNAMIC D3900S 7.5mmPITCH REC ASSY (SPRING CLAMP TYPE) 3, 10POS TYPE-A	
0 PLC ± 1 PLC ± 2 PLC ± 3 PLC ± 4 PLC ± ANGLES ± FINISH		PRODUCT SPEC 108-78400		DRAWING NO C-2134249	
MATERIAL 1 2 3		APPLICATION SPEC -		RESTRICTED TO -	
FINISH 2		WEIGHT -		SIZE A3 CAGE CODE 00779	
		CUSTOMER DRAWING		SCALE 2:1 SHEET 1 OF 1 REV C	

# Mouser Electronics

Authorized Distributor

Click to View Pricing, Inventory, Delivery & Lifecycle Information:

[TE Connectivity:](#)

[1-2134249-3](#)