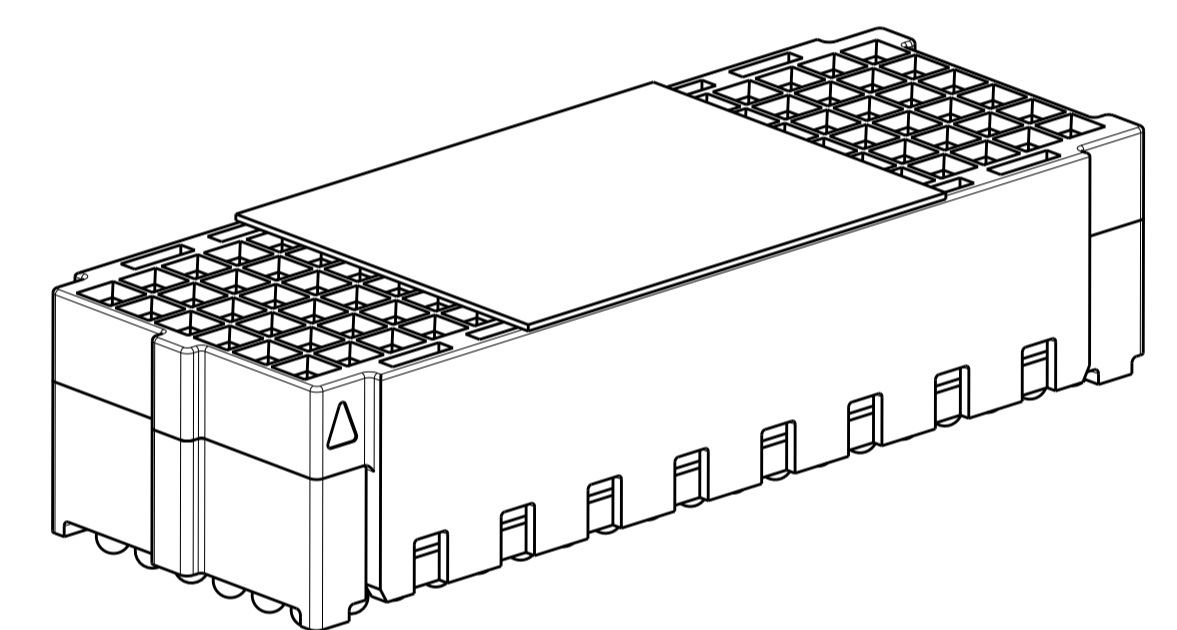
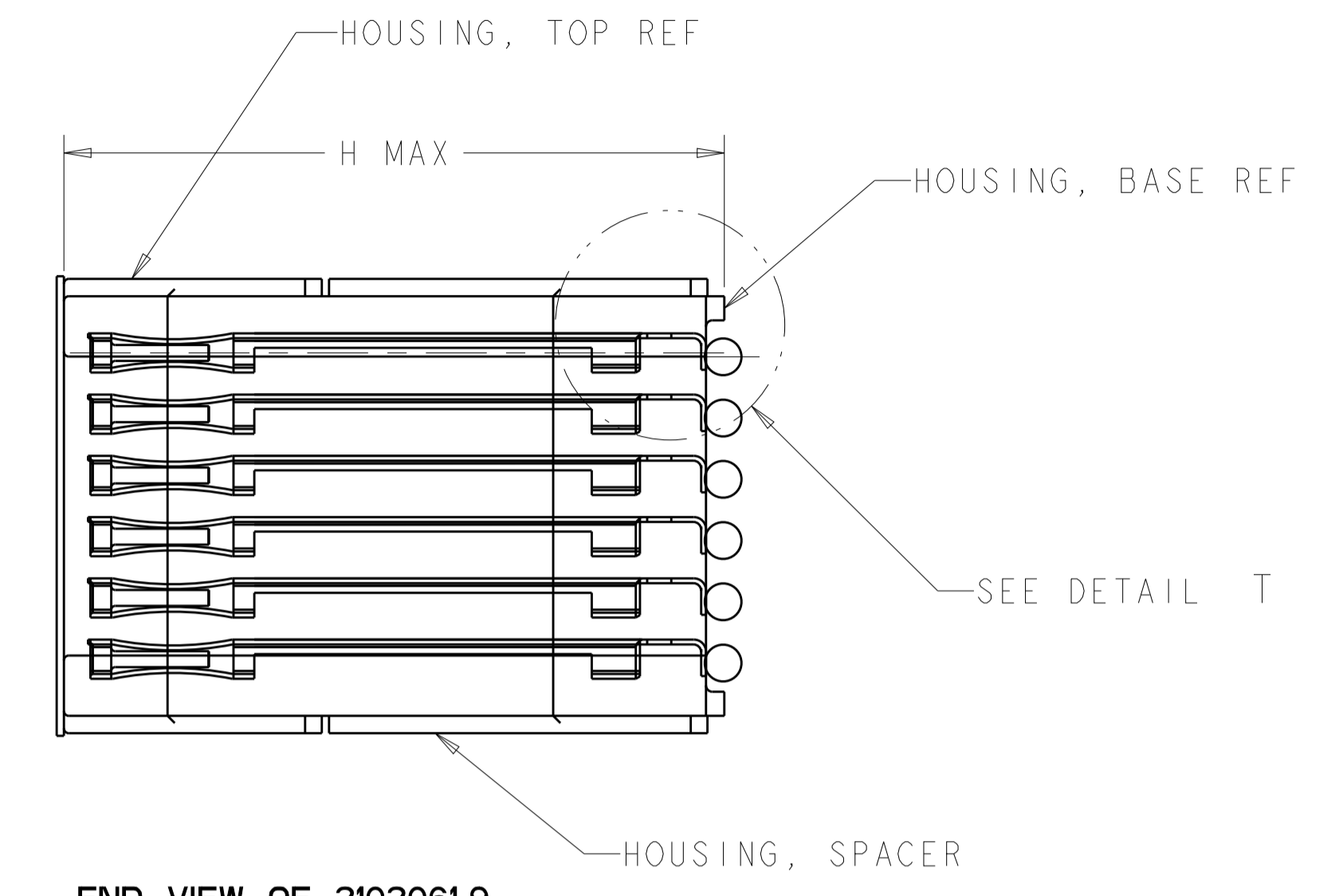
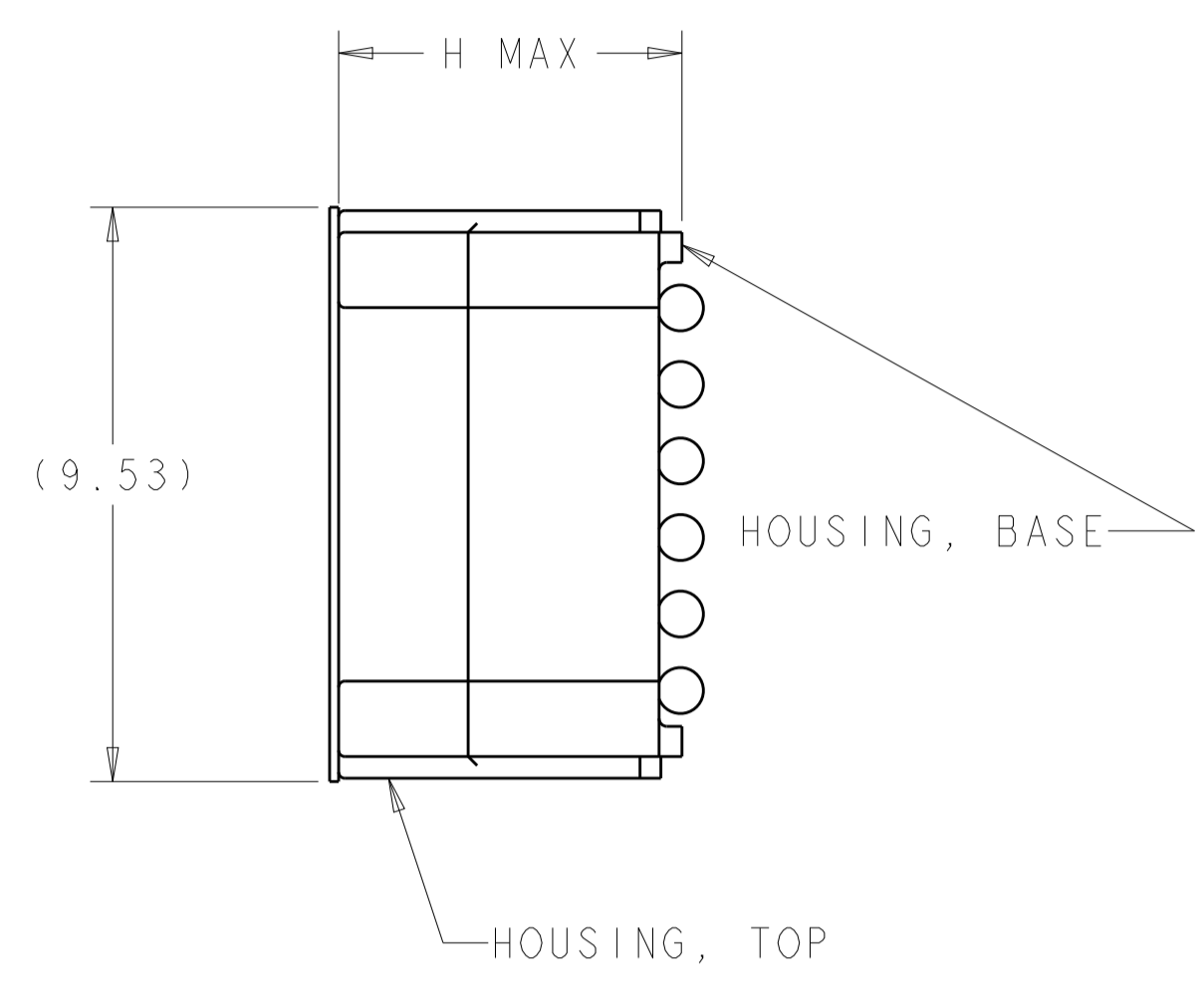
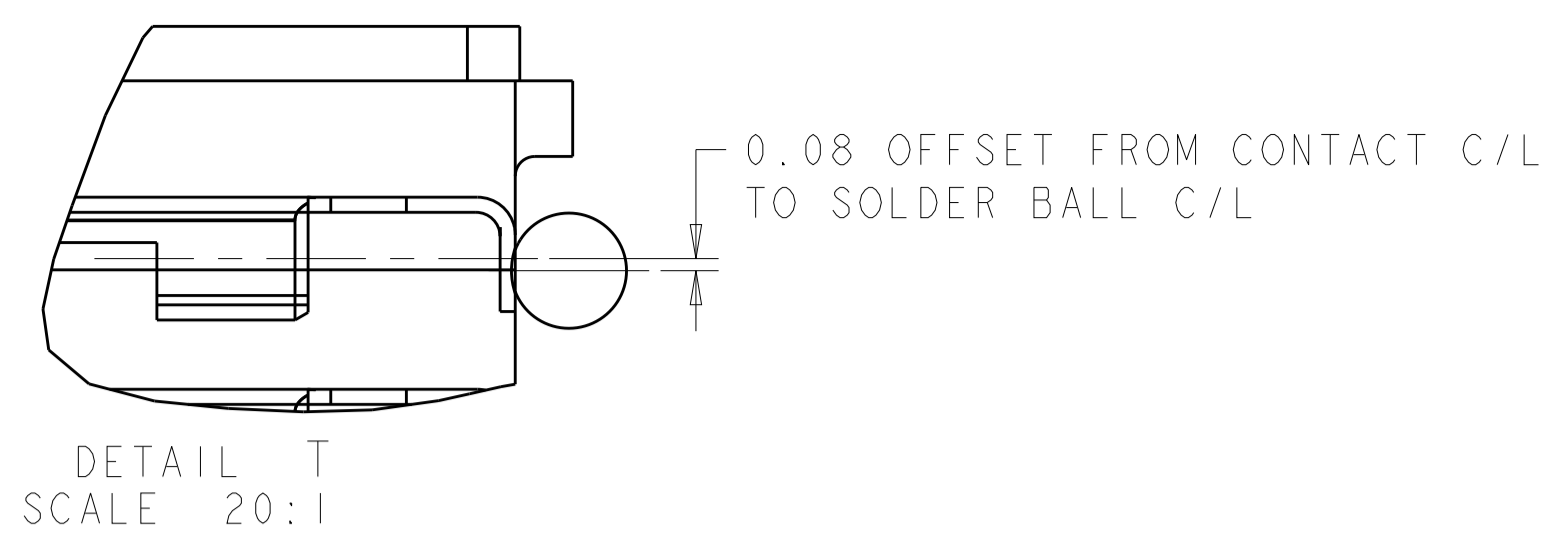
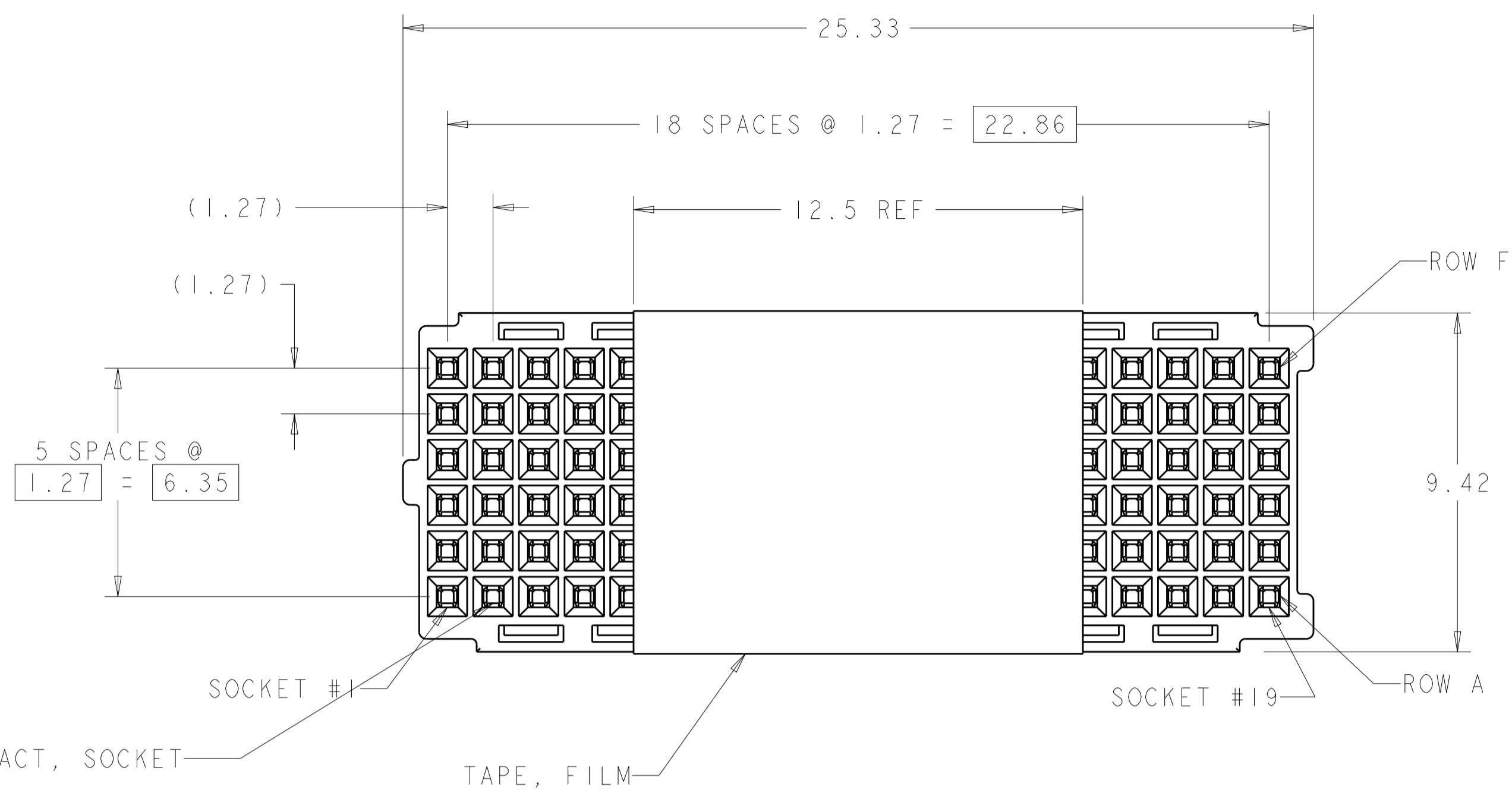
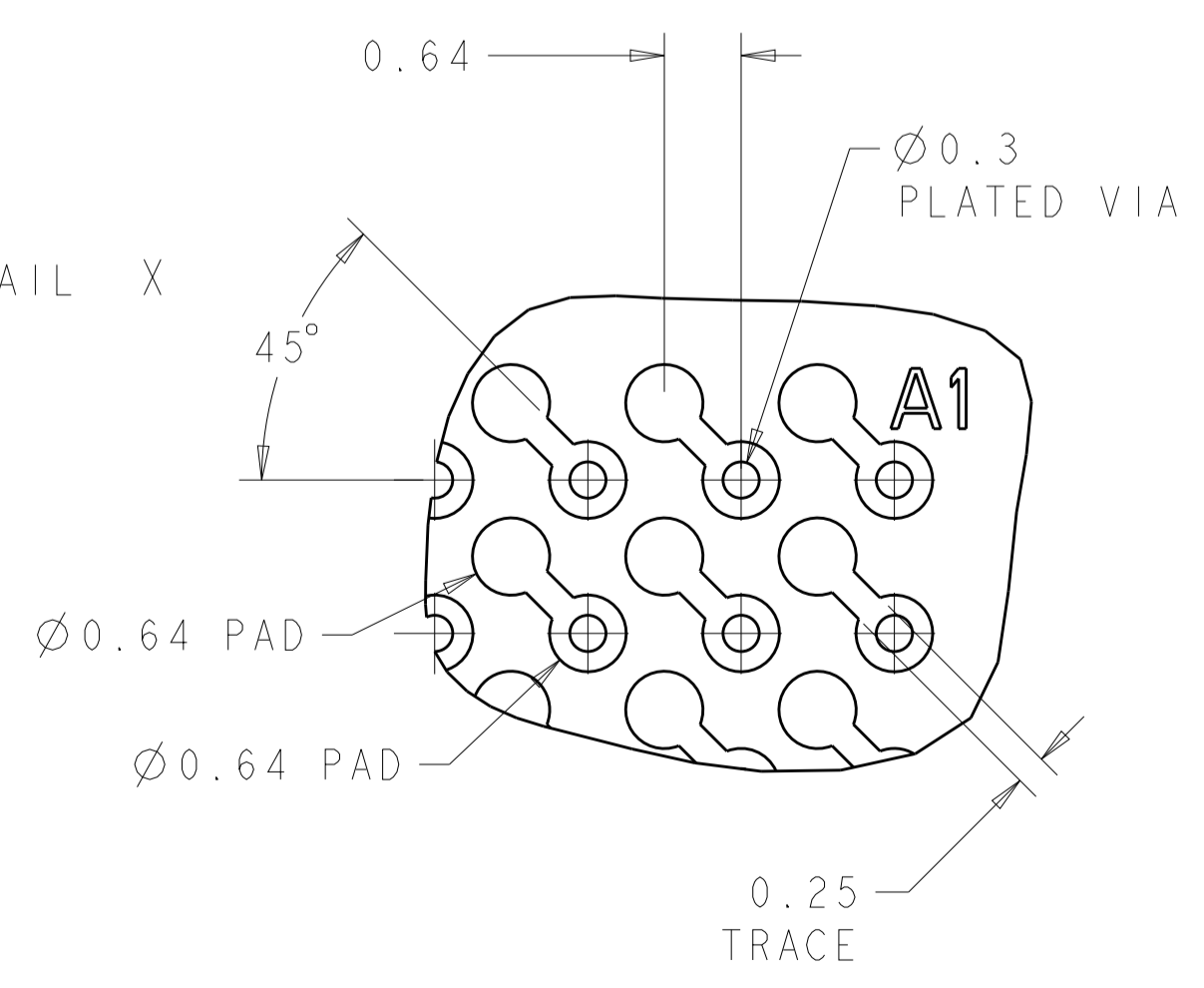
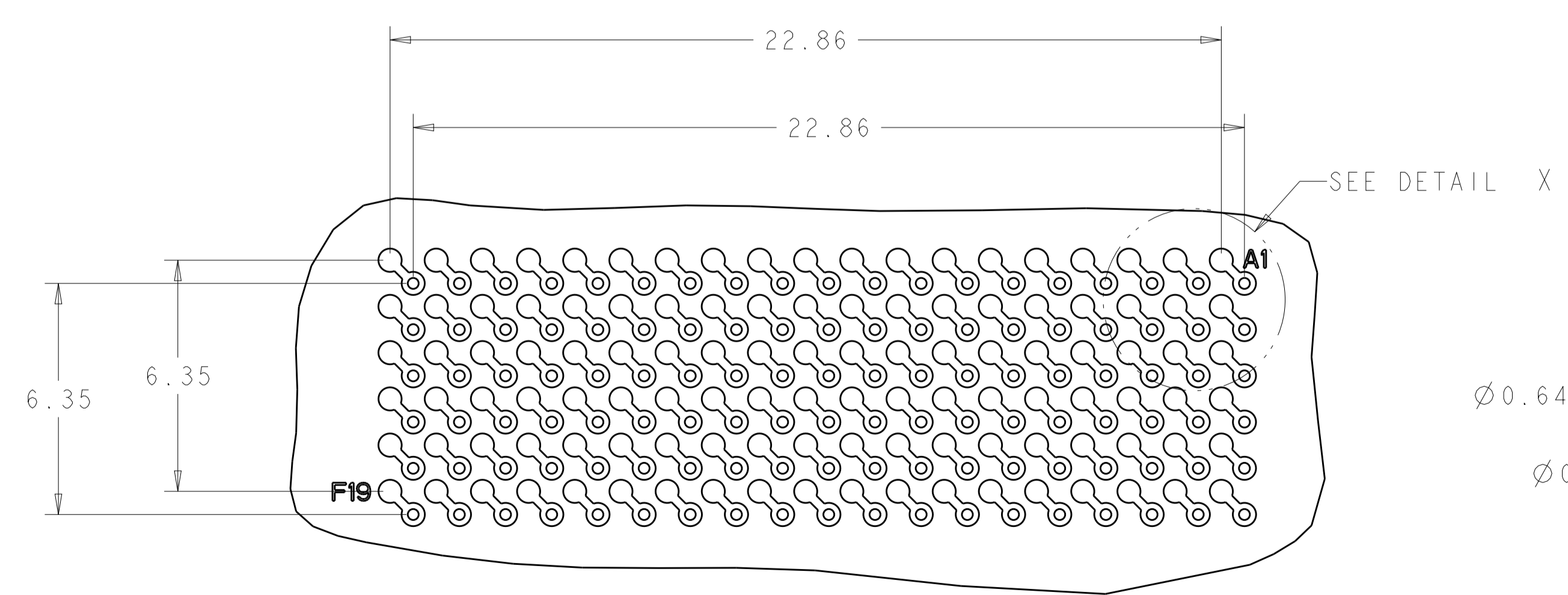
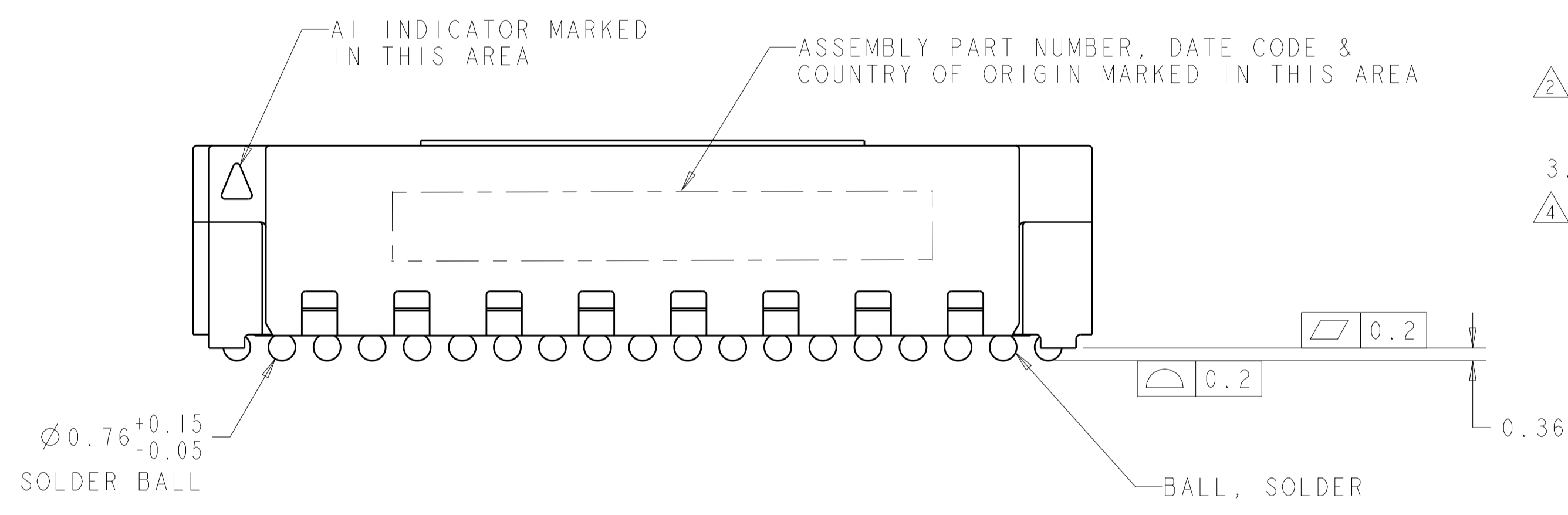


| REVISIONS |             |             |         |     |      |
|-----------|-------------|-------------|---------|-----|------|
| P.        | LTN         | DESCRIPTION | DATE    | DMN | APVD |
| J         | REV PER ECO | 18-010457   | 7-24-18 | CT  | CJ   |



- ⚠ MATERIAL: HOUSINGS; LCP, COLOR-NATURAL CONTACT; BERYLLIUM COPPER SOLDER BALL; SEE TABLE TAPE, FILM; KAPTON WITH SILICON ADHESIVE
- ⚠ FINISH: CONTACT; GOLD (SEE TABLE) ON MATING AREA OVER NICKEL ON ENTIRE CONTACT.
- 3. PRODUCT IS PACKAGED ON TAPE AND REELED.
- ⚠ PRELIMINARY PART



| MATING PART NUMBER | MATED STACK HEIGHT (mm) | GOLD PLATING THICKNESS | H MAX REF | SOLDER BALL MATERIAL | PART NUMBER |
|--------------------|-------------------------|------------------------|-----------|----------------------|-------------|
| 2102060-2          | 17                      | 1.27 $\mu$ m           | 13        | LEAD FREE PER SAC405 | 1-2102061-8 |
| 2102060-1          | 17                      | 1.27 $\mu$ m           | 13        | TIN LEAD             | 1-2102061-7 |
| 2102060-4          | 15                      | 0.76 $\mu$ m           | 11        | LEAD FREE PER SAC405 | 1-2102061-6 |
| 2102060-3          | 15                      | 0.76 $\mu$ m           | 11        | TIN LEAD             | 1-2102061-5 |
| 2102060-2          | 15                      | 1.27 $\mu$ m           | 11        | LEAD FREE PER SAC405 | 1-2102061-4 |
| 2102060-1          | 15                      | 1.27 $\mu$ m           | 11        | TIN LEAD             | 1-2102061-3 |
| 2102060-4          | 8                       | 0.76 $\mu$ m           | 14        | LEAD FREE PER SAC405 | 1-2102061-2 |
| 2102060-3          | 18                      | 0.76 $\mu$ m           | 14        | TIN LEAD             | 1-2102061-1 |
| 2102060-2          | 18                      | 1.27 $\mu$ m           | 14        | LEAD FREE PER SAC405 | 1-2102061-0 |
| 2102060-1          | 18                      | 1.27 $\mu$ m           | 14        | TIN LEAD             | 2102061-9   |
| 2102060-4          | 12                      | 0.76 $\mu$ m           | 8         | LEAD FREE PER SAC405 | 2102061-8   |
| 2102060-3          | 12                      | 0.76 $\mu$ m           | 8         | TIN LEAD             | 2102061-7   |
| 2102060-4          | 10                      | 0.76 $\mu$ m           | 6         | LEAD FREE PER SAC405 | 2102061-6   |
| 2102060-3          | 10                      | 0.76 $\mu$ m           | 6         | TIN LEAD             | 2102061-5   |
| 2102060-2          | 12                      | 1.27 $\mu$ m           | 8         | LEAD FREE PER SAC405 | 2102061-4   |
| 2102060-1          | 12                      | 1.27 $\mu$ m           | 8         | TIN LEAD             | 2102061-3   |
| 2102060-2          | 10                      | 1.27 $\mu$ m           | 6         | LEAD FREE PER SAC405 | 2102061-2   |
| 2102060-1          | 10                      | 1.27 $\mu$ m           | 6         | TIN LEAD             | 2102061-1   |

PCB LAYOUT (CONNECTOR SIDE) SCALE 8:1

THIS DRAWING IS A CONTROLLED DOCUMENT. DWG: G. DOWDY 23JUL2009. CHK: K. DOWHOWER 23JUL2009. APVD: K. DOWHOWER 23JUL2009.

DIMENSIONS: mm. TOLERANCES UNLESS OTHERWISE SPECIFIED: 0 PLC  $\pm$ , 1 PLC  $\pm 0.13$ , 2 PLC  $\pm$ , 3 PLC  $\pm$ , 4 PLC  $\pm$ , ANGLES  $\pm$ .

MATERIAL:  $\triangle 1$ . FINISH:  $\triangle 2$ .

STE TE Connectivity. NAME: ASSEMBLY, SOCKET, 114 POSITION, MEZALOK STACKING CONNECTOR. SIZE: CAGE CODE DRAWING NO. RESTRICTED TO: A100779C=2102061. SCALE: 8:1. SHEET 1 OF 1. REV J.