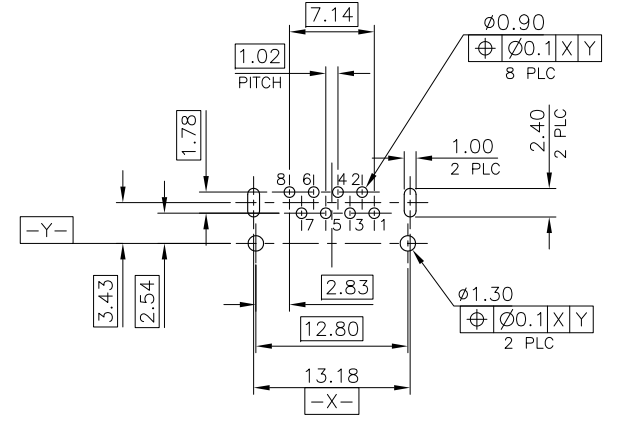
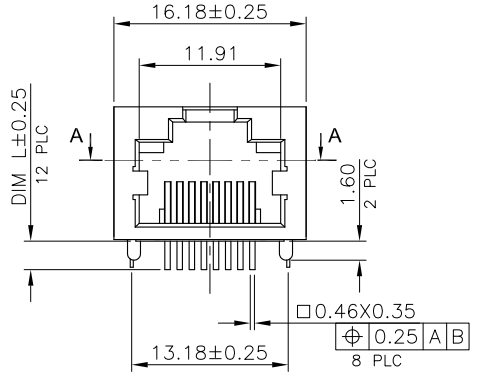
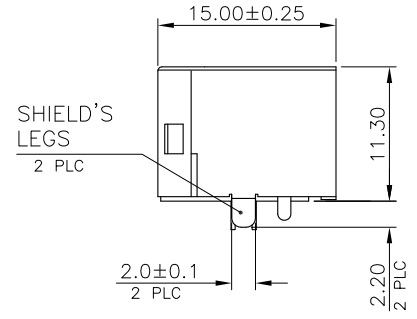
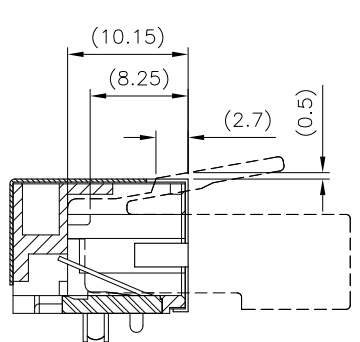
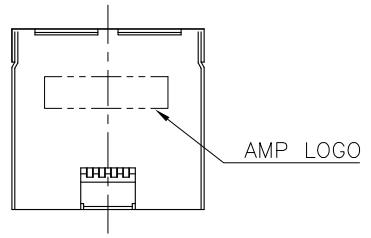
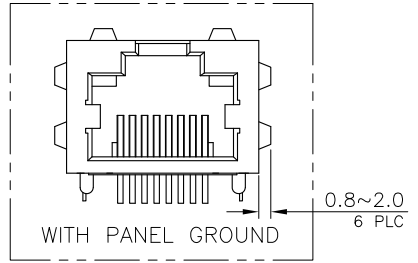
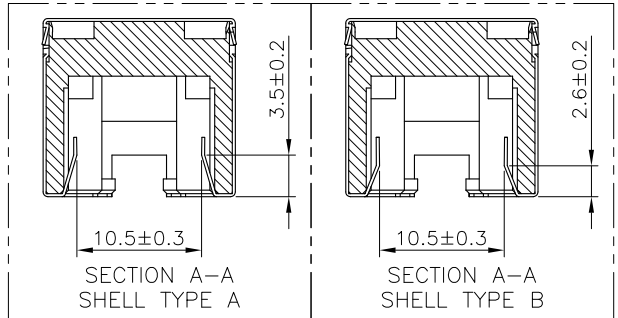


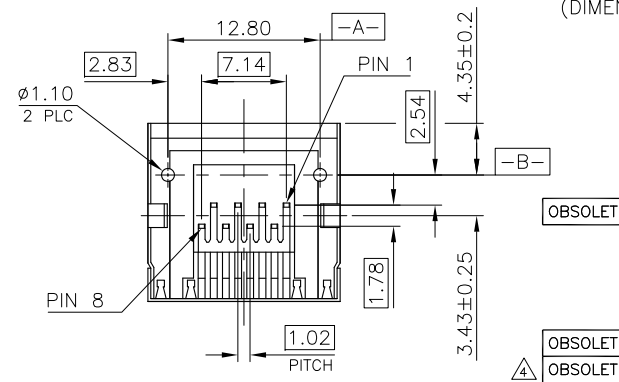
THIS DRAWING IS UNPUBLISHED. RELEASED FOR PUBLICATION
 © COPYRIGHT 2010 BY TYCO ELECTRONICS CORPORATION. ALL RIGHTS RESERVED.

LOC		DIST		REVISIONS					
DW				P	LTR	DESCRIPTION	DATE	DWN	APVD
				E		REVISED (ECR-12-012115) OBSOLETE PNs: -3, -8, -13, -14, -16 & -17	26OCT'12	E.L.	W.K.



RECOMMENDED PCB LAYOUT (THICKNESS: 1.6MM)
 (DIMENSION TOLERANCE: 1 PLC: ±0.1, 2 PLC: ±0.05)

- NOTE:
- MATERIAL:
 - HOUSING: PA9T WITH 30% GF, UL94 V-0, BLACK COLOR.
 - CONTACTS: PHOSPHOR BRONZE.
 - SHELL: BRASS.
 - FINISH:
 - CONTACTS: (SEE TABLE) GOLD PLATED ON CONTACT AREA. GOLD FLASH ON SOLDER TAIL. 1.27µm [50u"] MIN. NICKEL UNDERPLATED OVERALL.
 - SHELL: 0.51µm [20u"] MIN. NICKEL PLATED.
 - WAVE SOLDER CAPABLE TO 265°C PER TYCO TEST SPEC. 109-202, CONDITION B.
- ⚠️ OBSOLETE PART : OBSOLETE CIS STREAMLINING PER D.RENAUD/D.SINISI



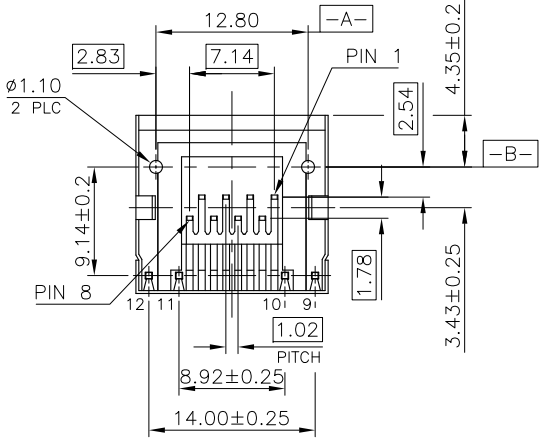
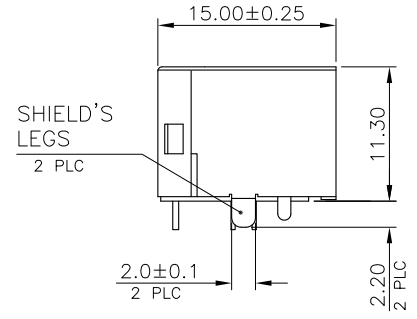
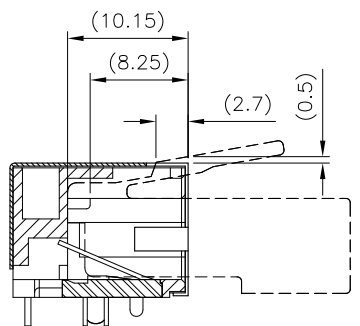
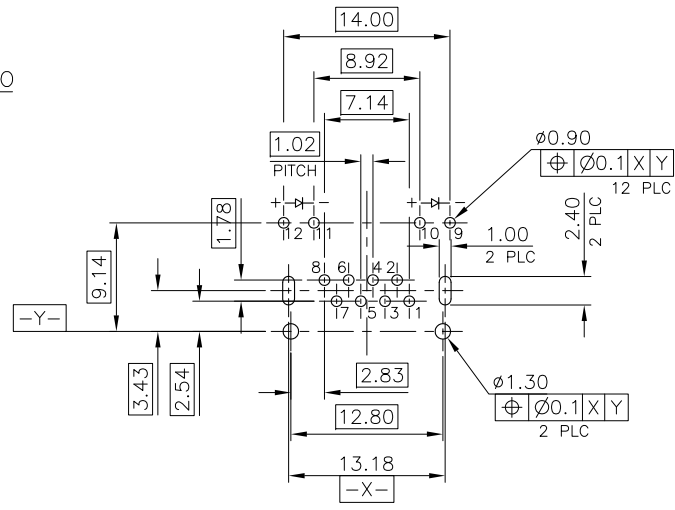
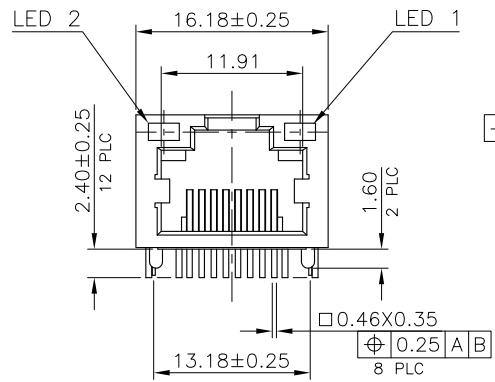
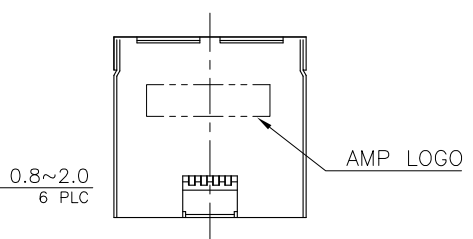
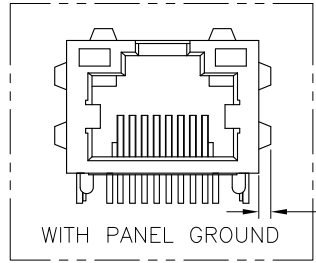
TAPE & REEL	W/O			2.2	6u"	3-1734795-2
TRAY	W/	W/O	TYPE A	1.5	6u"	3-1734795-1
					50u"	1734795-8
					30u"	1734795-7
					15u"	1734795-6
					6u"	1734795-5
					50u"	1734795-4
TRAY	W/O	W/O	TYPE B	2.4	50u"	1734795-4
					30u"	1734795-3
					15u"	1734795-2
				6u"	1734795-1	
PACKAGE TYPE	PANEL GROUND	LED	SHELL TYPE	DIM L	MIN. GOLD THICKNESS	PART NUMBER

THIS DRAWING IS A CONTROLLED DOCUMENT.		DWN	O. HU	14SEP2007	TE Connectivity MODULAR JACK CONNECTOR RJ45, 8P8C, SHIELDED TAB UP, DIP TYPE, H=11.3mm	
DIMENSIONS: mm		CHK	S. HOU	14SEP2007		
TOLERANCES UNLESS OTHERWISE SPECIFIED:		APVD	W.J. KE	14SEP2007		
0 PLC ± - 1 PLC ± 0.3 2 PLC ± 0.2 3 PLC ± 0.15 4 PLC ± - ANGLES ± 3'		PRODUCT SPEC	108-57535			
MATERIAL	SEE NOTE	FINISH	SEE NOTE	APPLICATION SPEC	SIZE	A3
WEIGHT		3.5 GRAMS		CAGE CODE	00779	
CUSTOMER DRAWING		SCALE		DRAWING NO		C=1734795
SHEET		1 OF 5		RESTRICTED TO		REV E

THIS DRAWING IS UNPUBLISHED. RELEASED FOR PUBLICATION

© COPYRIGHT 2010 BY TYCO ELECTRONICS CORPORATION. ALL RIGHTS RESERVED.

LOC	DIST	REVISIONS					
DW		P	LTR	DESCRIPTION	DATE	DWN	APVD
				SEE SHEET 1.			



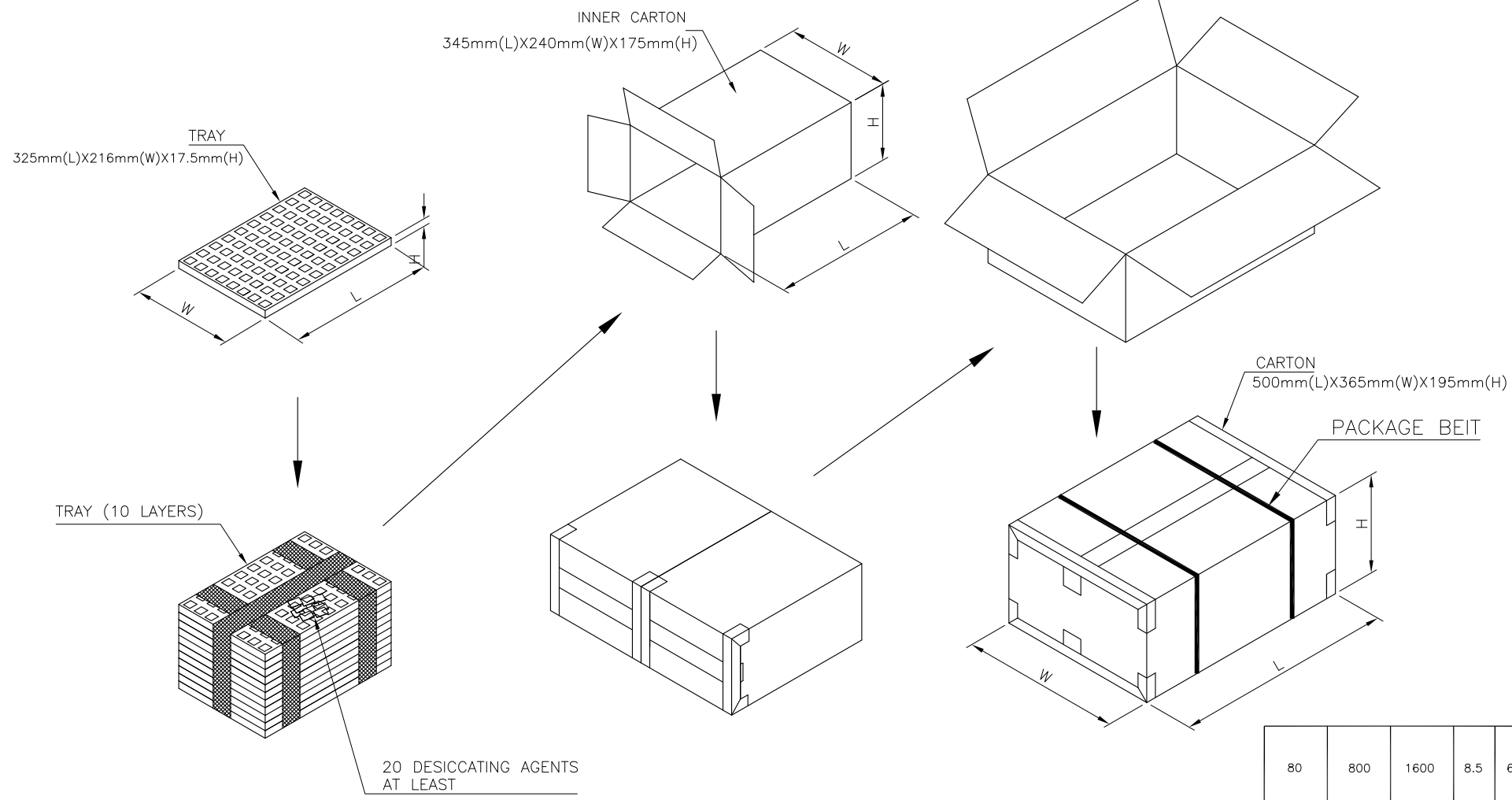
- NOTE:
- MATERIAL:
 - 1.1 HOUSING: PA9T WITH 30% GF, UL94 V-0, BLACK COLOR.
 - 1.2 CONTACTS: PHOSPHOR BRONZE.
 - 1.3 SHELL: BRASS.
 - 1.4 LED LIGHT: EPOXY RESIN & STEEL
 - FINISH:
 - 2.1 CONTACTS:
(SEE TABLE) GOLD PLATED ON CONTACT AREA.
GOLD FLASH ON SOLDER TAIL.
1.27µm [50u"] MIN. NICKEL UNDERPLATED OVERALL.
 - 2.2 SHELL: 0.51µm [20u"] MIN. NICKEL PLATED.
 - 2.3 LED: 1.02µm [40u"] COPPER UNDERPLATED OVERALL.
1.27µm [50u"] NICKEL OVERALL.
1.27µm [50u"] SILVER ON BONDING AREA.
2.54µm [100u"] BRIGHT-TIN ON SOLDER AREA.
 - WAVE SOLDER CAPABLE TO 265°C PER TYCO TEST SPEC. 109-202, CONDITION B.

OBSOLETE	w/	GREEN	GREEN	15u"	2-1734795-2
				50u"	1-1734795-8
OBSOLETE		ORANGE	YELLOW	30u"	1-1734795-7
				15u"	1-1734795-6
				6u"	1-1734795-5
OBSOLETE	w/o	YELLOW	GREEN	50u"	1-1734795-4
OBSOLETE				30u"	1-1734795-3
OBSOLETE				15u"	1-1734795-2
				6u"	1-1734795-1
	PANEL GROUND	LED 2	LED 1	MIN. GOLD THICKNESS	PART NUMBER
		LED'S COLOR			

THIS DRAWING IS A CONTROLLED DOCUMENT.		DWN			
DIMENSIONS: mm		CHK			
TOLERANCES UNLESS OTHERWISE SPECIFIED:		APVD			
0 PLC ± - 1 PLC ± 0.3 2 PLC ± 0.2 3 PLC ± 0.15 4 PLC ± - ANGLES ± - ± 3°		PRODUCT SPEC	NAME		
MATERIAL SEE NOTE		APPLICATION SPEC	STE TE Connectivity MODULAR JACK CONNECTOR RJ45, 8P8C, SHIELDED TAB UP, DIP TYPE, H=11.3mm		
FINISH SEE NOTE		WEIGHT 3.5 GRAMS	SIZE A3	CAGE CODE 00779	DRAWING NO. C=1734795
		CUSTOMER DRAWING	RESTRICTED TO	SCALE	SHEET 2 OF 5
					REV E

THIS DRAWING IS UNPUBLISHED. RELEASED FOR PUBLICATION
 © COPYRIGHT 2010 BY TYCO ELECTRONICS CORPORATION. ALL RIGHTS RESERVED.

LOC DW	DIST	REVISIONS			
P	LTR	DESCRIPTION	DATE	DWN	APVD
		SEE SHEET 1.			



					1734795-4
					1734795-3
					1734795-2
					1734795-1
PCS/TRAY	TRAYS/CARTON	QUANTITY (PCS)	G/W (Kg)	N/W (Kg)	PART NUMBER
80	800	1600	8.5	6.5	

THIS DRAWING IS A CONTROLLED DOCUMENT.

DIMENSIONS: mm	TOLERANCES UNLESS OTHERWISE SPECIFIED: 0 PLC ± - 1 PLC ± 0.3 2 PLC ± 0.2 3 PLC ± 0.15 4 PLC ± - ANGLES ± 3'	DWN	-
		CHK	-
MATERIAL	FINISH	APVD	-
		PRODUCT SPEC	NAME
		APPLICATION SPEC	
		WEIGHT	SIZE
			CAGE CODE
			DRAWING NO
			RESTRICTED TO
		CUSTOMER DRAWING	SCALE
			SHEET
			3 of 5
			REV
			E

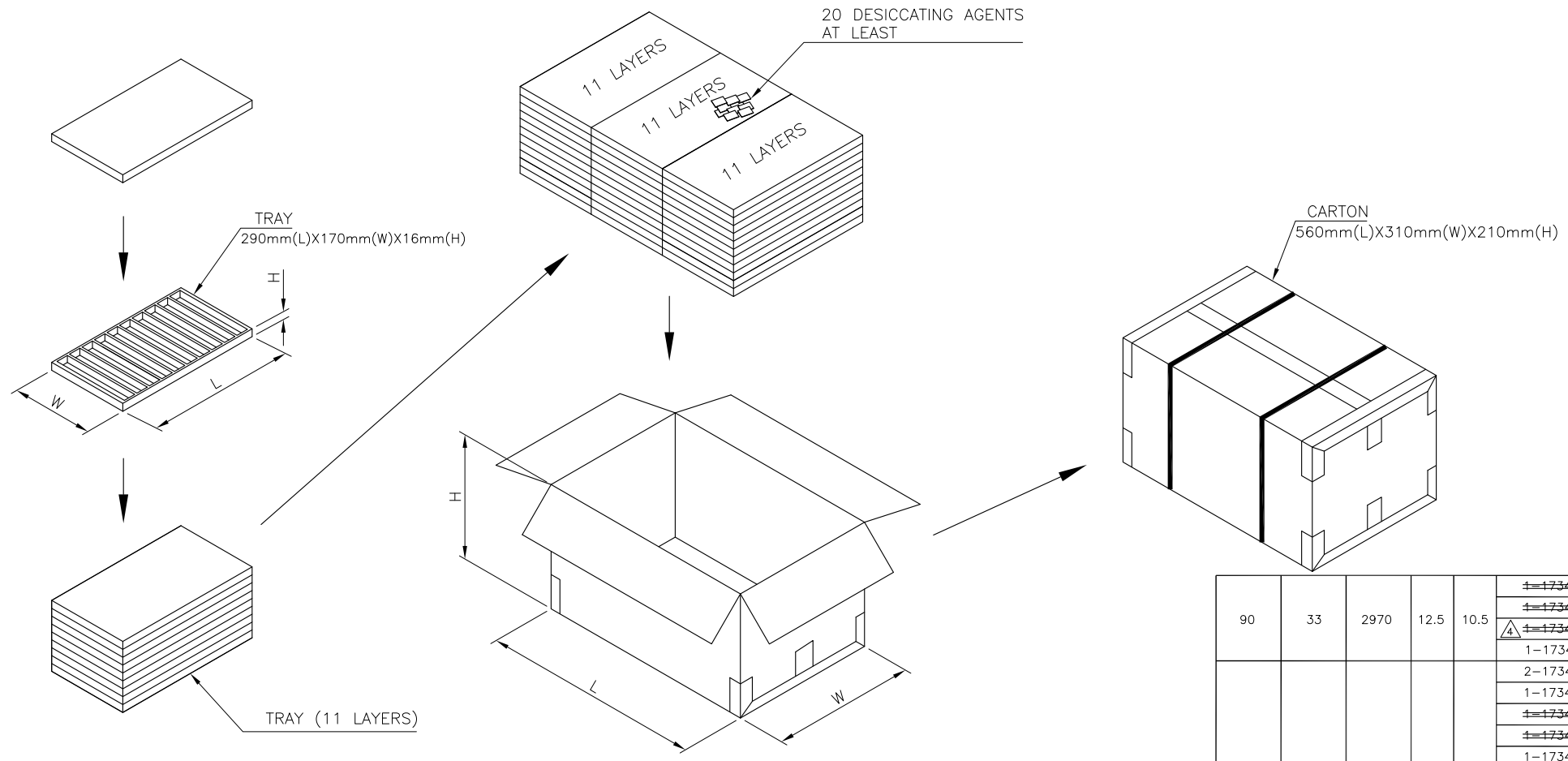
STE TE Connectivity

MODULAR JACK CONNECTOR
RJ45, 8P8C, SHIELDED
TAB UP, DIP TYPE, H=11.3mm

A3 00779 ©=1734795

THIS DRAWING IS UNPUBLISHED. RELEASED FOR PUBLICATION
 © COPYRIGHT 2010 BY TYCO ELECTRONICS CORPORATION. ALL RIGHTS RESERVED.

LOC DW	DIST	REVISIONS			
P	LTR	DESCRIPTION	DATE	DWN	APVD
		SEE SHEET 1.			



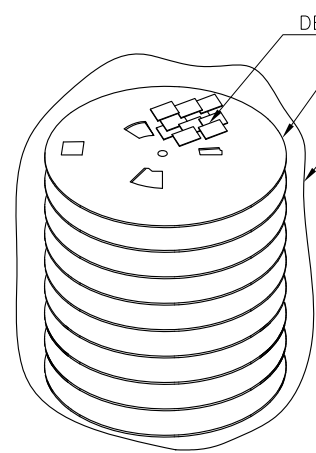
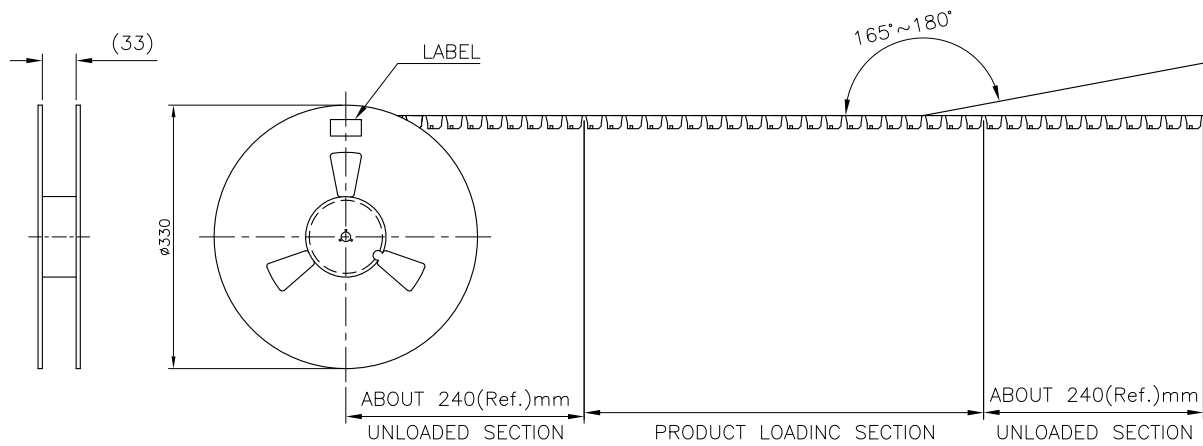
					1-1734795-4
					1-1734795-3
					1-1734795-2
					1-1734795-1
					2-1734795-2
					1-1734795-8
					1-1734795-7
					1-1734795-6
					1-1734795-5
					1-1734795-8
					1734795-7
					1734795-6
					1734795-5
PCS/ TRAY	TRAYS/ CARTON	QUANTITY (PCS)	G/W (Kg)	N/W (Kg)	PART NUMBER
90	33	2970	12.5	10.5	
80	33	2640	11	9	

THIS DRAWING IS A CONTROLLED DOCUMENT.

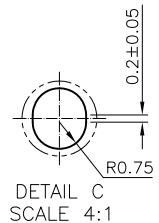
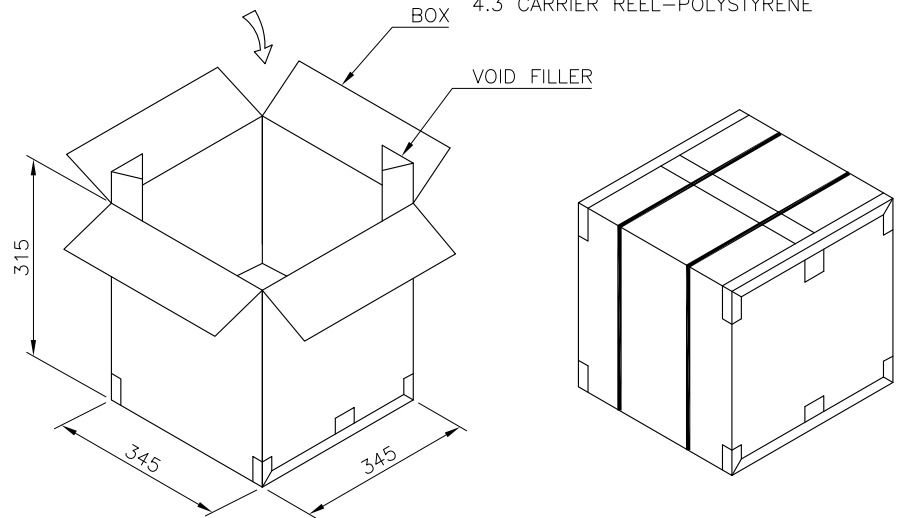
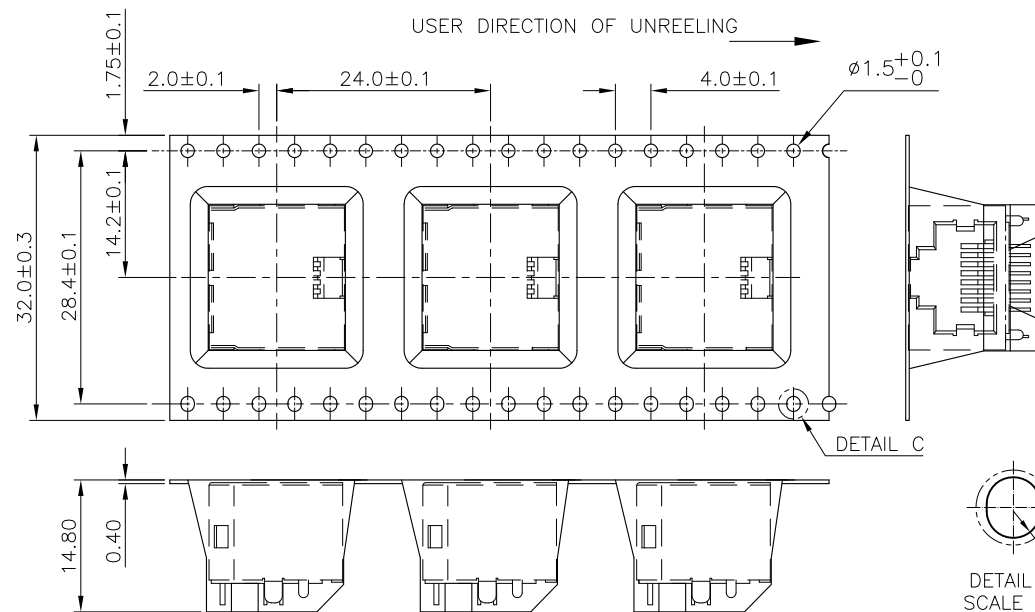
DIMENSIONS: mm	TOLERANCES UNLESS OTHERWISE SPECIFIED:	DWN	TE Connectivity			
0 PLC ± - 1 PLC ± 0.3 2 PLC ± 0.2 3 PLC ± 0.15 4 PLC ± - ANGLES ± 3°		CHK	NAME			
		APVD	MODULAR JACK CONNECTOR RJ45, 8P8C, SHIELDED TAB UP, DIP TYPE, H=11.3mm			
MATERIAL	FINISH	PRODUCT SPEC	SIZE	CAGE CODE	DRAWING NO	RESTRICTED TO
		APPLICATION SPEC	A3	00779	C=1734795	
		WEIGHT	CUSTOMER DRAWING		SCALE	SHEET 4 of 5
						REV E

THIS DRAWING IS UNPUBLISHED. RELEASED FOR PUBLICATION
 © COPYRIGHT 2010 BY TYCO ELECTRONICS CORPORATION. ALL RIGHTS RESERVED.

LOC DW	DIST	REVISIONS			
P	LTR	DESCRIPTION	DATE	DWN	APVD
		SEE SHEET 1.			



- NOTE:
- EACH BAG SHALL BE INCLUDED:
*DESICCANT
 - PEELING STRENGTH: 0.1~1.3N(1~130 GRAMS)
FOR 12~56mm WIDE CARRIER TAPES
 - PEELING SPEED: 300mm/MINUTES.
 - PACKAGING MATERIAL:
 - COVER TAPE—COMPOSITE OF POLYETHYLENE TEREPHTHALATE (PET)
 - CARRIER—POLYSTYRENE (PS)
 - CARRIER REEL—POLYSTYRENE



8.7 KG	5.05 KG	180	8	1440	3-1734795-2 3-1734795-1
GROSS WEIGHT	NET WEIGHT	PCS/ REEL	REEL/ BOX	PCS/ BOX	PART NUMBER

THIS DRAWING IS A CONTROLLED DOCUMENT.		DWN	TE Connectivity		
DIMENSIONS: mm		CHK			
TOLERANCES UNLESS OTHERWISE SPECIFIED:		APVD	NAME		
0 PLC ± -		PRODUCT SPEC	MODULAR JACK CONNECTOR		
1 PLC ±0.3		APPLICATION SPEC	RJ45, 8P8C, SHIELDED		
2 PLC ±0.2		WEIGHT	SIZE	CAGE CODE	DRAWING NO
3 PLC ±0.15		CUSTOMER DRAWING	A3	00779	C=1734795
4 PLC ± -			SCALE	SHEET	RESTRICTED TO
ANGLES ± 3'			-	5 of 5	REV E
MATERIAL					
FINISH					

Mouser Electronics

Authorized Distributor

Click to View Pricing, Inventory, Delivery & Lifecycle Information:

[TE Connectivity:](#)

[1734795-4](#)