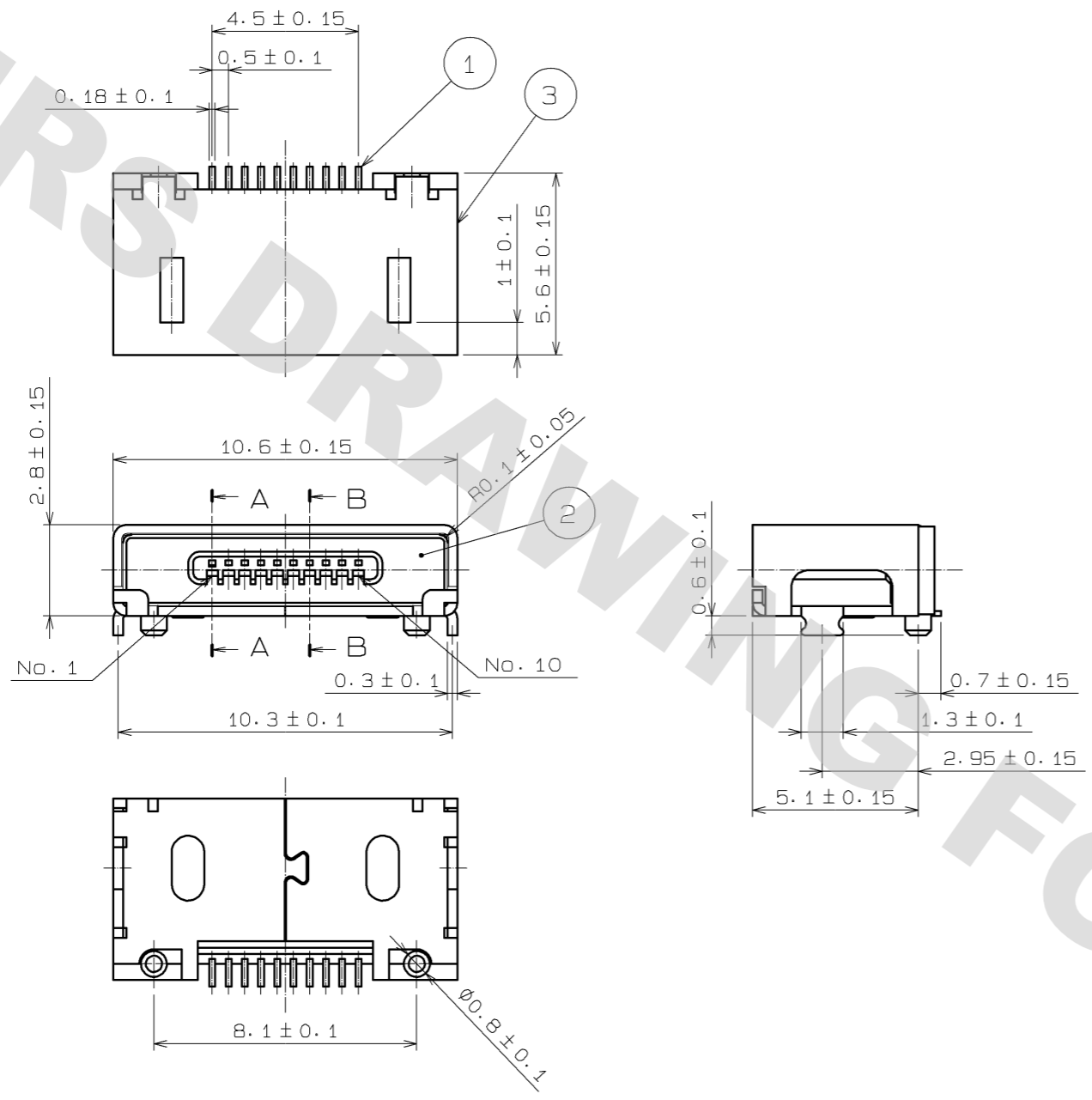
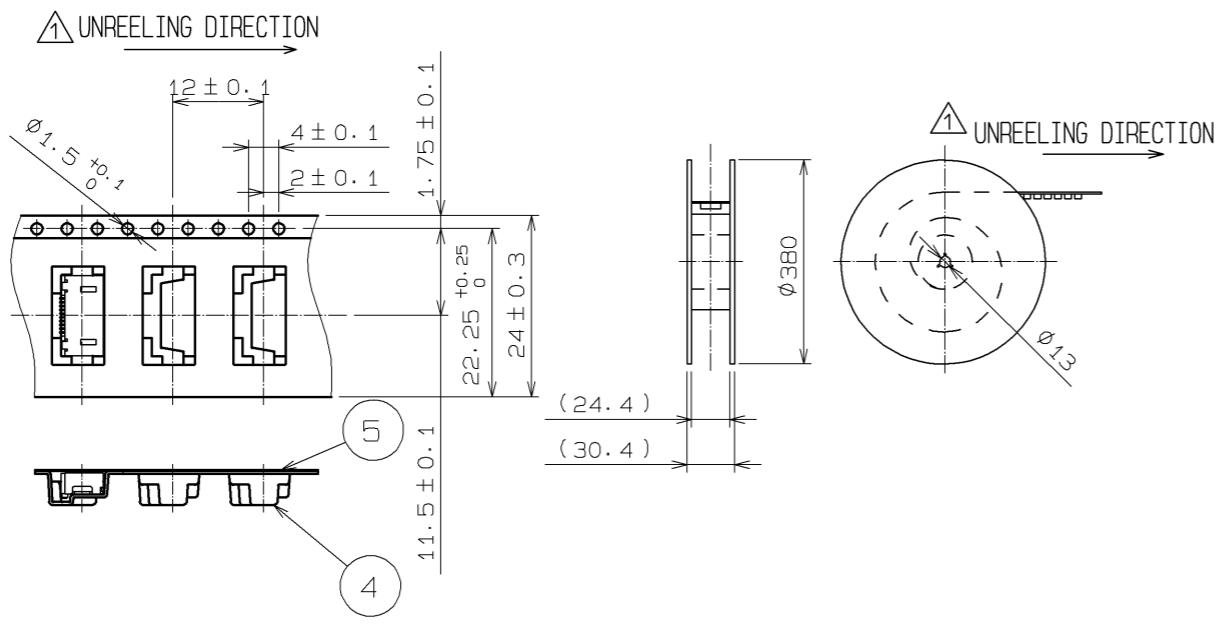


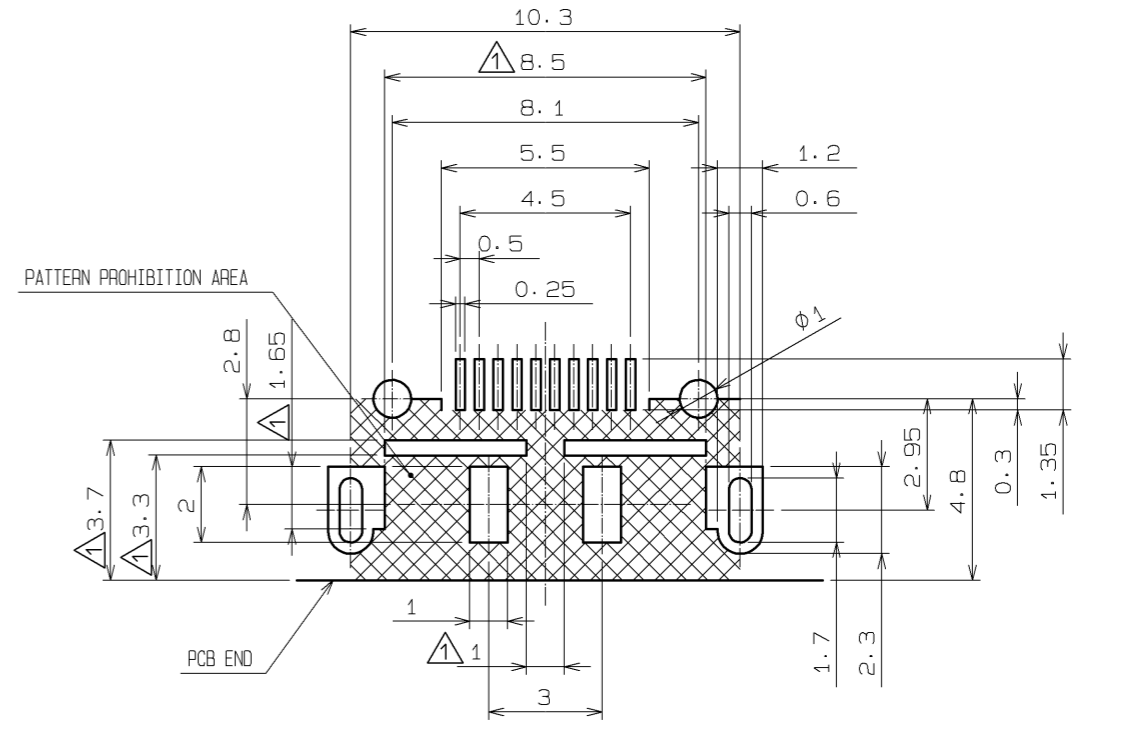
DRAWING FOR REFERENCE: This is subject to change without notice
08/11/2012



△ FIGURE FOR PACKING

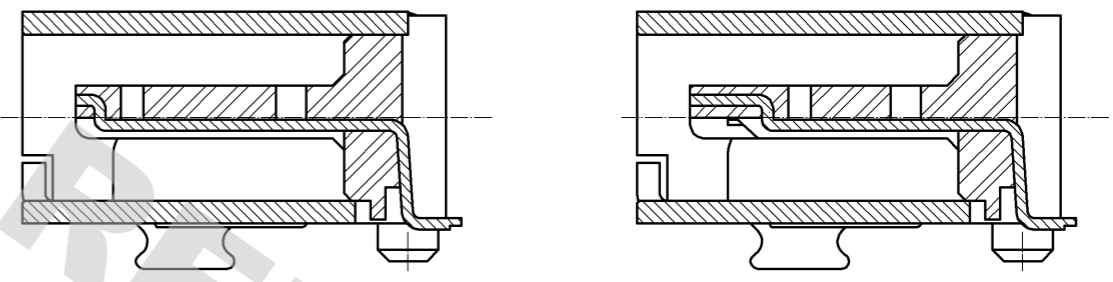


RECOMMENDED PC BOARD PATTERN



A-A (10 : 1)
(CONTACT No. 1, 10)

B-B (10 : 1)
(CONTACT No. 2~9)



NOTE 1 PER RELL : 1500 PIECES.
2 CO-PLANARITY TO BE 0.1mm MAX.

NO.	MATERIAL	FINISH . REMARKS	NO.	MATERIAL	FINISH . REMARKS
2	LCP	UL94V-0 (BLACK)	5	PS	
1	PHOSPHOR BRONZE	UNDER PLATING:NICKEL 2μm MIN CONTACT AREA:GOLD 0.2μm MIN LEAD AREA: GOLD FLASH	4	PS	
			3	PHOSPHOR BRONZE	UNDER PLATING:NICKEL 1μm MIN MOUNTING AREA:TIN 1μm MIN

UNITS	SCALE	COUNT	DESCRIPTION OF REVISIONS	DESIGNED	CHECKED	DATE
mm	5 : 1	8	DIS-E-002301	MO. SHIMOYAMA	NF. MIYAZAKI	08.05.27

APPROVED	DATE	DRAWING NO.
A0. SUZUKI	05.01.05	EDC3-124599-00
CHECED	DATE	PART NO.
H0. TANAKA	05.01.05	MQ212-10P
DESIGNED	DATE	CODE NO.
NM. NISHIMATSU	05.01.05	CL206-2446-5-00
DRAWN	DATE	
NM. NISHIMATSU	05.01.05	

Mouser Electronics

Authorized Distributor

Click to View Pricing, Inventory, Delivery & Lifecycle Information:

[Hirose Electric:](#)

[MQ212-10PRT](#) [MQ212-10PT](#) [MQ212-10P](#) [MQ212-10S](#)