

3M™ FOUR-WALL CONDO HEADER, 3000 SERIES

.100" X .100" LATCH/EJECTOR, RIGHT ANGLE

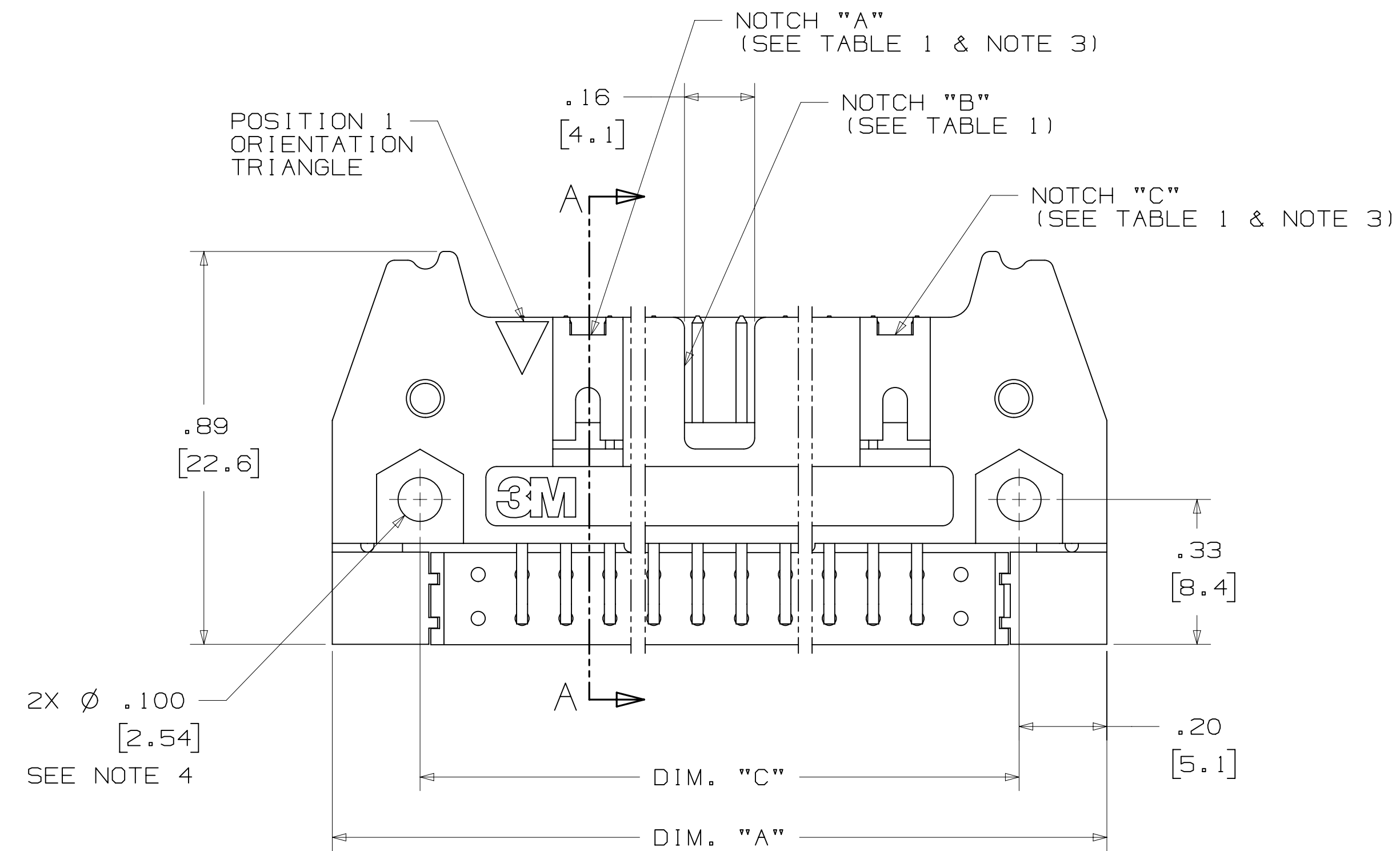
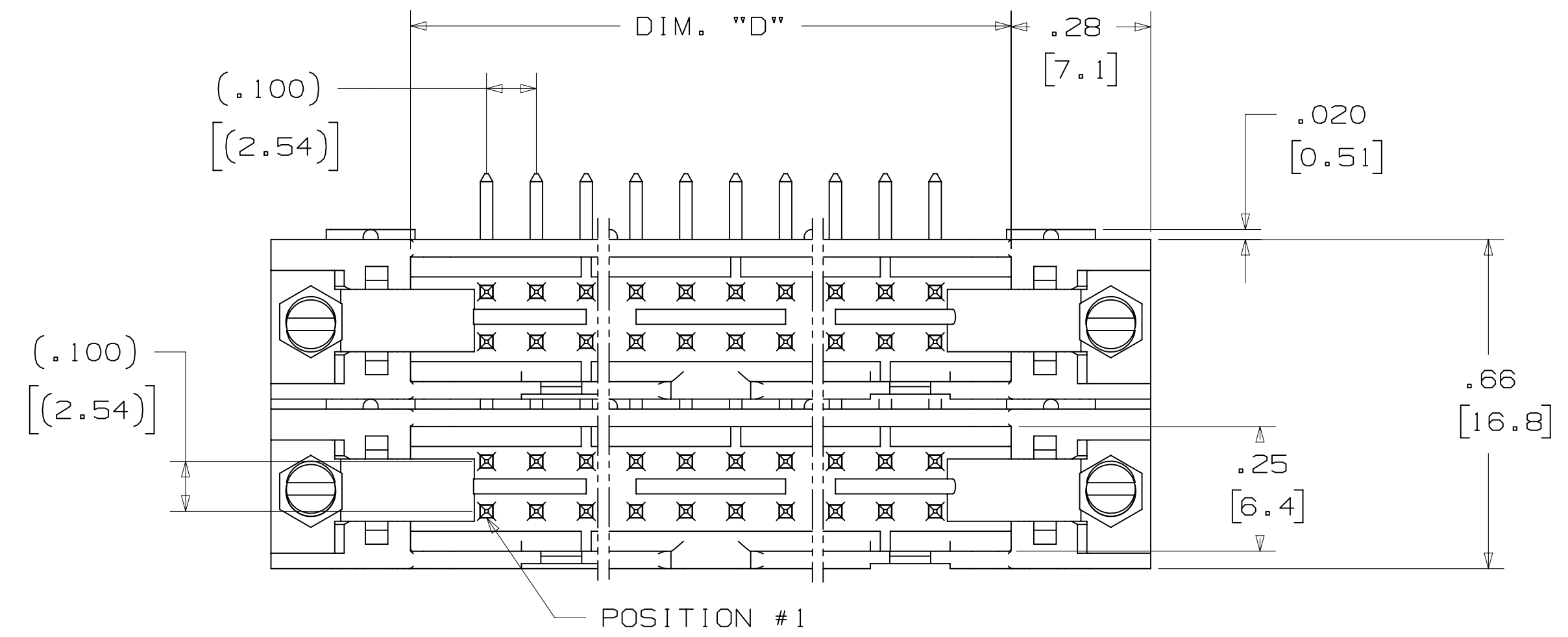
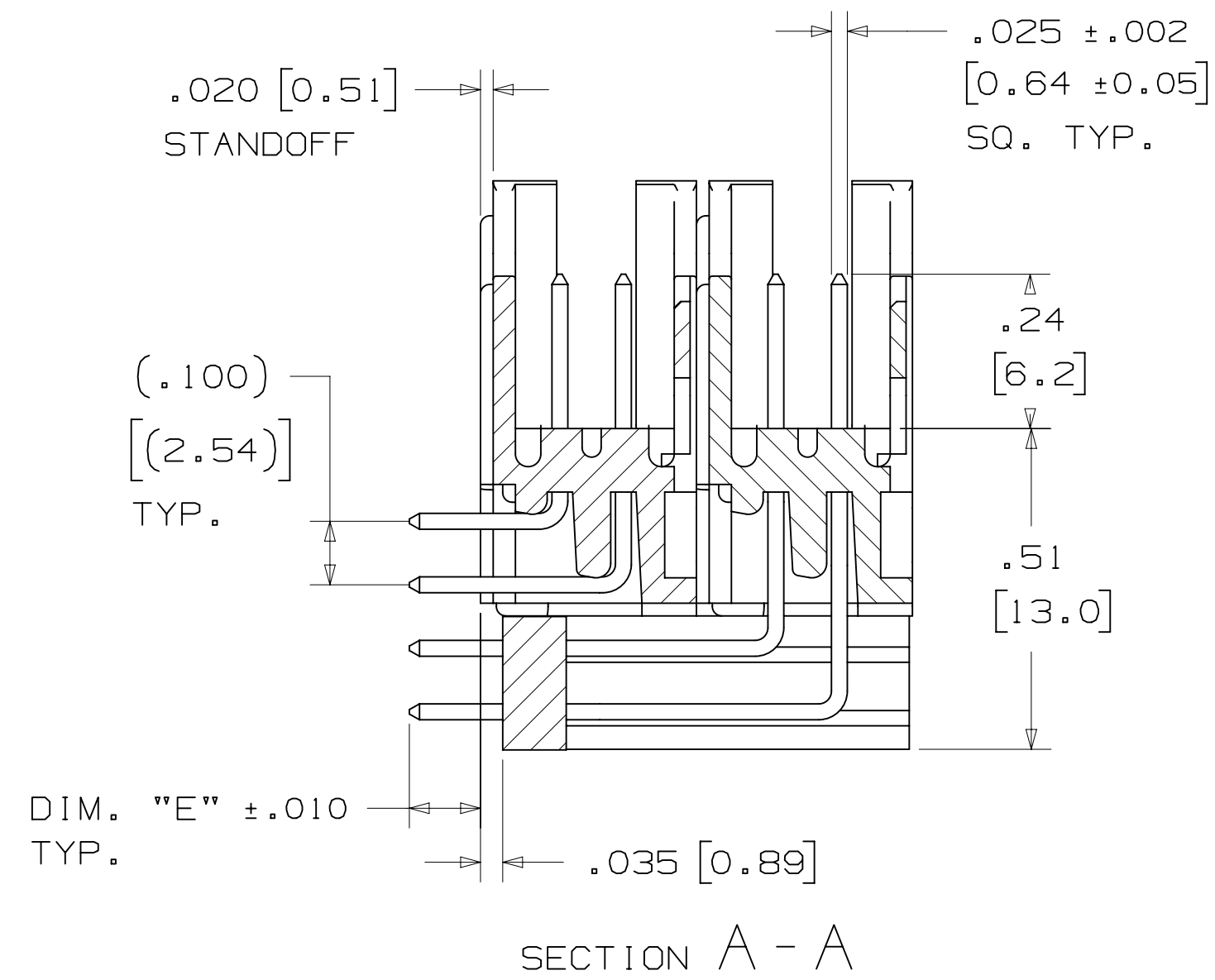


TABLE 1						
PIN QTY.	3M PART NUMBER	DIM. "A"	DIM. "C"	DIM. "D"	POLARIZING NOTCHES	PIN QTY.
20	3793	1.26 [32.1]	.865 [21.97]	.71 [18.0]	BC	20
28	3314	1.46 [37.2]	1.065 [27.05]	.91 [23.1]	BC	28
32	3408	1.56 [39.7]	1.165 [29.59]	1.01 [25.6]	ABC	32
40	3428	1.76 [44.8]	1.365 [34.67]	1.21 [30.7]	ABC	40
48	3627	1.96 [49.9]	1.565 [39.75]	1.41 [35.8]	ABC	48
52	3429	2.06 [52.4]	1.665 [42.29]	1.51 [38.3]	ABC	52
60	3440	2.26 [57.5]	1.865 [47.37]	1.71 [43.4]	ABC	60
68	3431	2.46 [62.6]	2.065 [52.45]	1.91 [48.5]	ABC	68
80	3432	2.76 [70.2]	2.365 [60.07]	2.21 [56.1]	ABC	80
100	3433	3.26 [82.9]	2.865 [72.77]	2.71 [68.8]	ABC	100
120	3372	3.76 [95.6]	3.365 [85.47]	3.21 [81.5]	ABC	120
128	3764	3.96 [100.7]	3.565 [90.55]	3.41 [86.6]	ABC	128

TABLE 2		
3M PART NUMBER SUFFIX	CONTACT TAIL	DIM. "E"
-XX02	02	.112 [2.84]
-XX03	03	.155 [3.94]

NOTE:
 .112 [2.84] TAIL LENGTH SUITABLE FOR
 .062 [1.57] THICK PC BOARD.

DESIGN REFERENCE	NEXT ASSEMBLY	REV	ECO	ISSUE DATE AND DESCRIPTION	DRFT	CHKD
DIVISION		DIVISION CODE		DATE		
Interconnect Solutions		EMSD		AUG 05, 2014		
DO NOT SCALE DRAWING		SCALE		TOLERANCES EXCEPT AS NOTED		
		4/1		INCHES		
				.00 ± .01		
				.000 ± .005		
				.0000 ±		
THIRD ANGLE PROJECTION				MILLIMETERS		
				0 ±		
INTERPRET PER ASME Y14.5 - 2009				.0 ± .3		
				.00 ± .13		
MAX SURFACE ROUGHNESS				.000 ±		
L SURFACES				MARKED ONLY		
✓ MARKED ONLY				ANGLES		

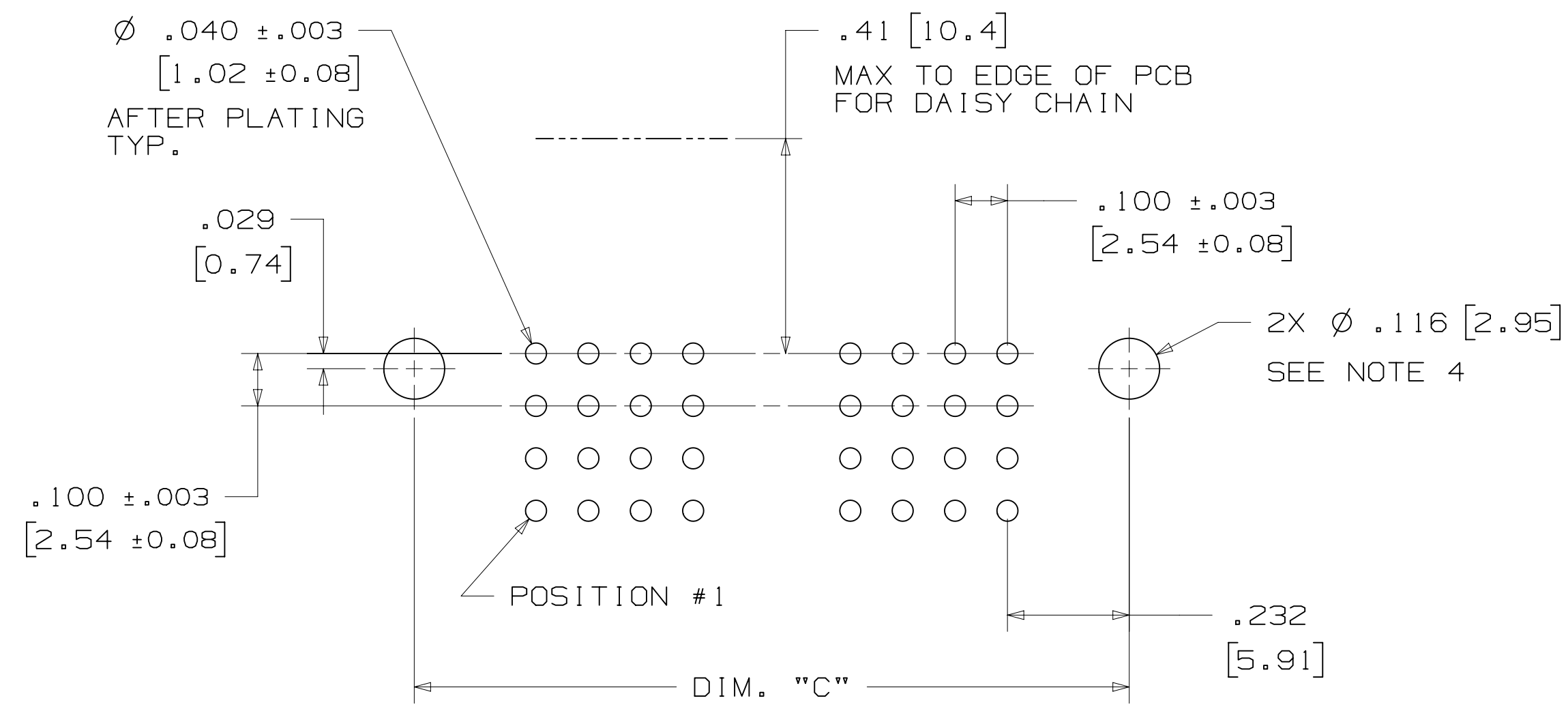
K	60056	MAR 06, 2015	JNC	RS
J	56068	AUG 05, 2014	JNC	RS
REV	ECO	ISSUE DATE AND DESCRIPTION	DRFT	CHKD
DRFT	CHKD	DATE	DATE	DATE
		AUG 05, 2014		SEP 05, 2014
APPROVED		DATE		
R. SCHERER				

3M Center		© 3M COPYRIGHT 2015	
St. Paul, MN 55144		This document and the information it contains are 3M property and may not be reproduced or further distributed without 3M permission, or used or disclosed other than for 3M authorized purposes. All rights reserved.	
TITLE			
HEADER, 4-WALL, CONDO, .100 X .100 LATCH/EJECTOR, RA			
CAGE NUMBER	SIZE	DRAWING NO.	REV.
D		78-5100-0774-9	K
MODEL	3000 SERIES	DET	SHT 2 OF 3

K REVISION
 78-5100-0774-9
 DRAWING NUMBER
 B
 A
 Imaged: K.1 3/6/2015 12:57 PM UTC-06:00

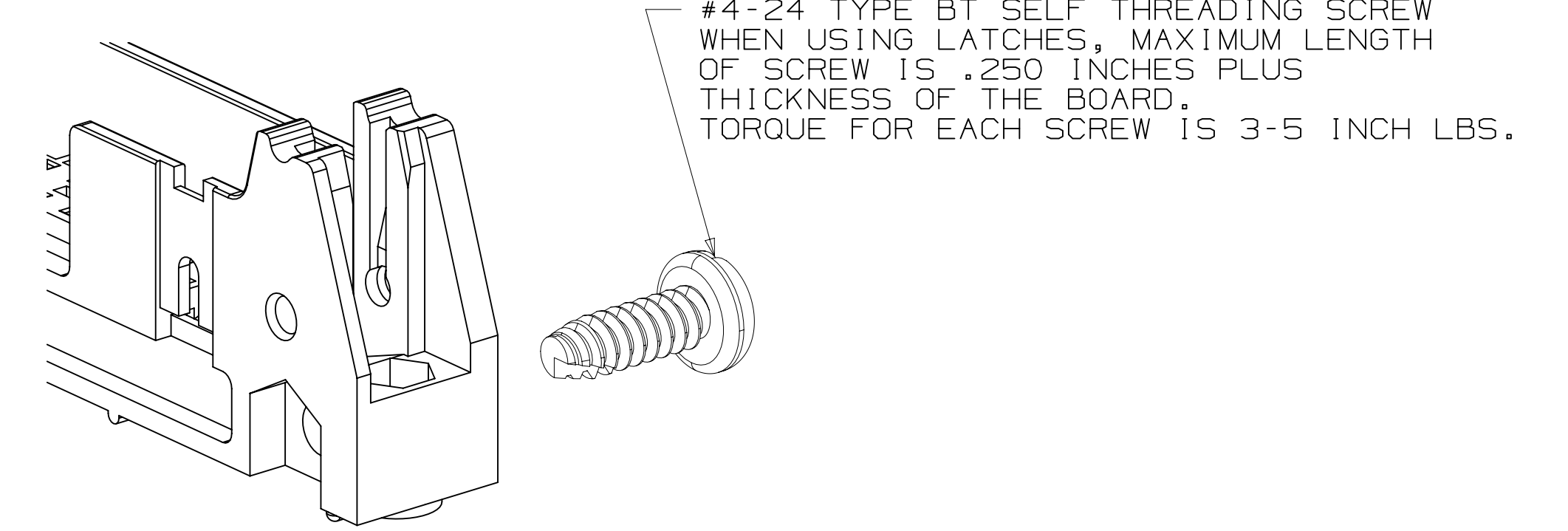
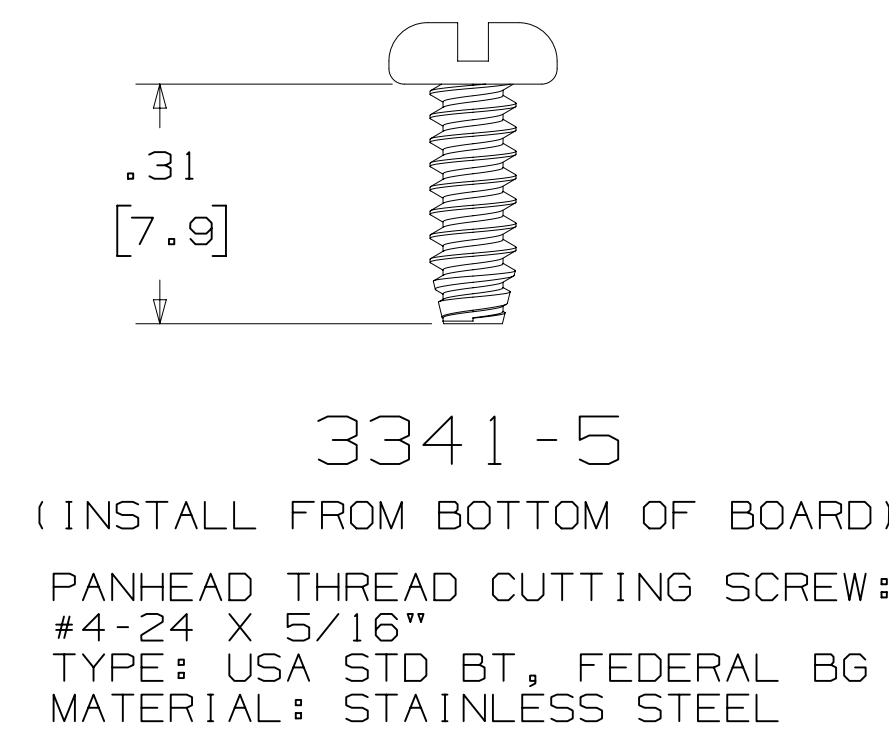
3M™ FOUR-WALL CONDO HEADER, 3000 SERIES

.100" X .100" LATCH/EJECTOR, RIGHT ANGLE



RECOMMENDED MOUNTING HOLE PATTERN

MOUNTING HARDWARE



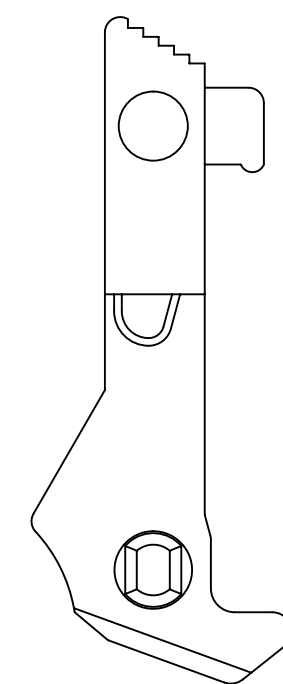
PART CUSTOMIZATION

THIS SPEC SHEET DETAILS OUR STANDARD OFFERING.

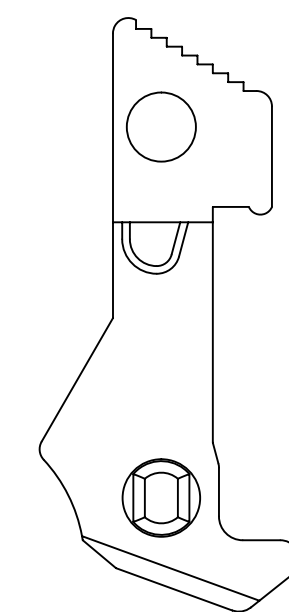
3M HAS SEVERAL CAPABILITIES THAT CAN PROVIDE A PART TAILORED TO YOUR SPECIFIC NEEDS. ASK YOUR 3M SALES REPRESENTATIVE OR CUSTOMER SERVICE FOR MORE DETAILS.

BOTH SNAP-IN AND ROLL PIN LATCHES MAY BE ORDERED SEPARATELY. SNAP-IN AND ROLL PIN STYLE LATCHES ARE DIMENSIONALLY AND FUNCTIONALLY EQUIVALENT. IF ORDERING SNAP-IN OR ROLL PIN STYLE LATCHES SEPARATELY, PLEASE USE THE BELOW CHART.

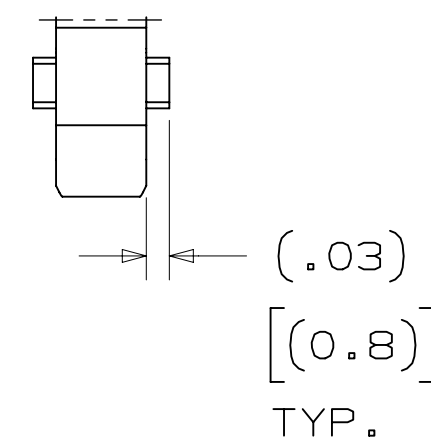
MATERIAL	SHORT LATCH	LONG LATCH	LATCH STYLE	COLOR
HIGH TEMP. (PCT)	N3505-2B	N3505-3B	ROLL PIN	BLACK
HIGH TEMP (PPA)	N3505-30B	N3505-31B	SNAP-IN	BLACK



LONG



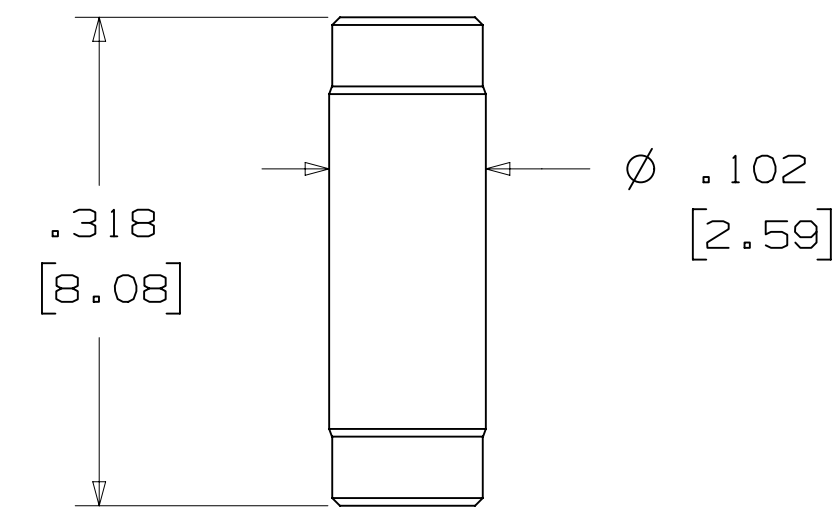
SHORT



SNAP-IN LATCHES

NOTE: SNAP-IN LATCHES CAN ONLY BE ORDERED SEPARATELY AND ARE THE CUSTOMERS RESPONSIBILITY TO INSTALL.

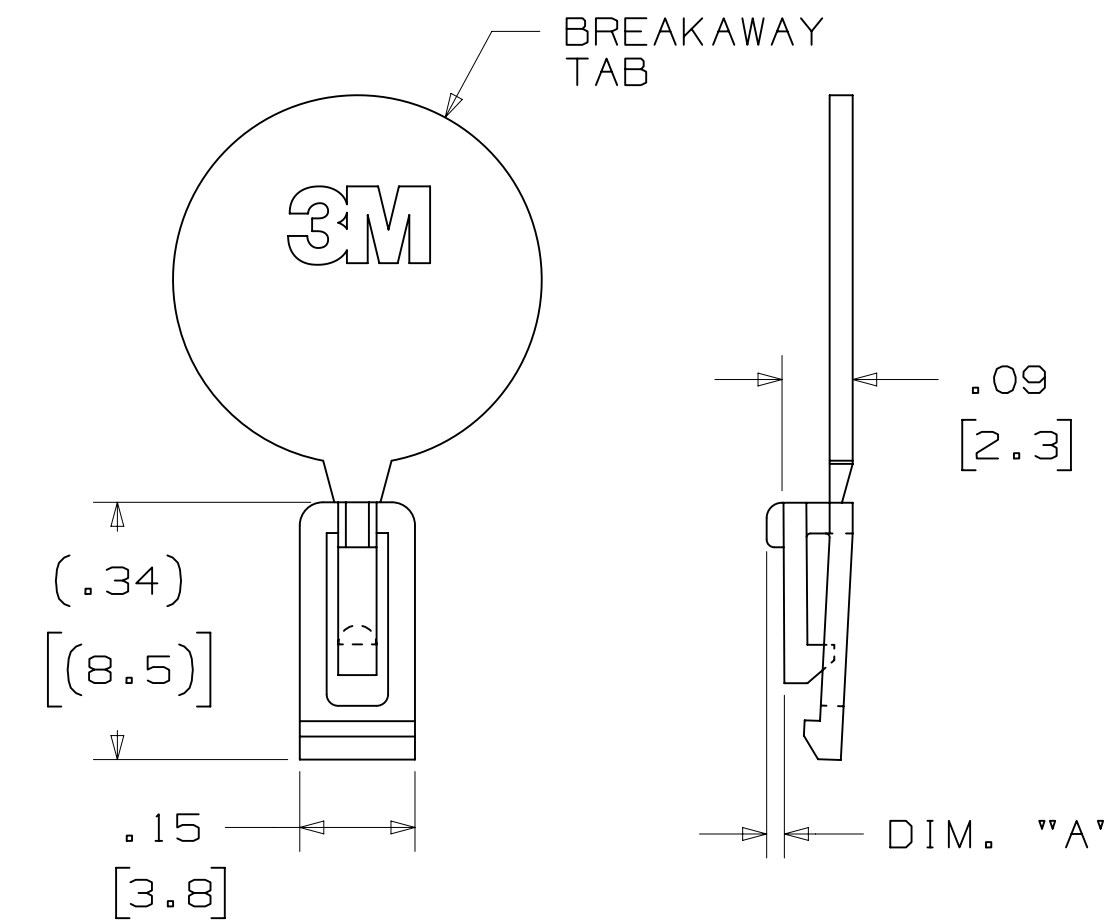
POLARIZING POST



3M PART NO.	MATERIAL	COLOR
3201-4	LCP	BLACK

NOTE: INSERT POST INTO ONE MOUNTING HARDWARE HOLE ON BOTTOM OF HEADER. SET POST TO PROTRUDE .115 [2.92]

POLARIZING KEY



3M PART NO.	MATERIAL	COLOR	DIM. "A"
N3518	LCP	BLACK	.02

NOTE: #2216 B/A SCOTCHWELD CAN BE USED TO ADHERE KEYS.

DESIGN REFERENCE	NEXT ASSEMBLY	REV	ECO	ISSUE DATE AND DESCRIPTION	DRFT	CHKD
		K	60056	MAR 06, 2015 REVISE ORDERING NUMBER	JNC	RS
		J	56068	AUG 05, 2014 REVISED AND REDRAWN	JNC	RS
		CHKD	COSTIGLIONE	AUG 05, 2014	DATE	
		APPR	R. SCHERER	SEP 05, 2014	DATE	
DIVISION: Interconnect Solutions SCALE: 4/1 DO NOT SCALE DRAWING		DIVISION CODE: EMSD TOLERANCES EXCEPT AS NOTED INCHES: .00 ± .01 .000 ± .005 .0000 ±		TITLE: HEADER, 4-WALL, CONDO, .100 X .100 LATCH/EJECTOR, RA		
THIRD ANGLE PROJECTION		INTERPRET PER ASME Y14.5 - 2009		MILLIMETERS: 0 ± .0 ± .3 .00 ± .13 .000 ±		
MAX SURFACE ROUGHNESS: SURFACES		MARKED ONLY		CAGE NUMBER: D78-5100-0774-9 MODEL: 3000 SERIES		
				© 3M COPYRIGHT 2015 This document and the information it contains are 3M property and may not be reproduced or further distributed without 3M permission, or used or disclosed other than for 3M authorized purposes. All rights reserved.		

K REVISION
 78-5100-0774-9
 DRAWING NUMBER
 B
 A
 Imaged: K.1 3/6/2015 12:57 PM UTC-06:00

Mouser Electronics

Authorized Distributor

Click to View Pricing, Inventory, Delivery & Lifecycle Information:

[3M:](#)

[3408-L303](#) [3428-L303](#) [3432-L203](#) [3433-L303](#) [3764-L203UB](#) [N3505-31](#) [3505-33-1000-BX](#) [3505-31-BULK-PK](#)
[N3505-31B](#)