

REVISION-
08/14/96 TS

REVISION A
REFORMATTED
07/14/97 TS

REVISION B
CHANGED A.7.
08/23/99 TS

REVISION C
ADDED RoHS
01/10/06 MP

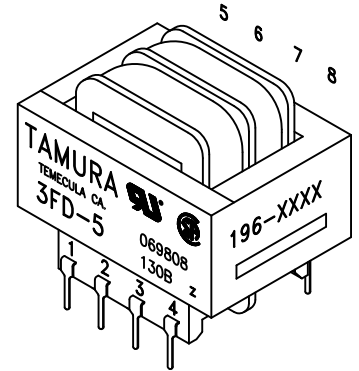
REVISION D
SAFETY UPDATED.
FUSE INFO
ADDED.
6-25-09 MP

A. Electrical Specifications (@ 25 °C)

1. Maximum Power: 12.0 VA.
2. Input Voltage and Frequency: 115V/230V 50/60 Hz.
3. Secondary Voltage: See Table A.
4. Voltage Regulation: 19% TYP @ full load to no load.
5. Temperature Rise: 45°C TYP (50°C MAX allowed).
6. Insulation Resistance:
 - 100 MΩ MIN @ 500VDC, Pri to Sec, Pri to Core.
 - 100 MΩ MIN @ 500VDC, Sec to Core.
7. Hi-Pot: 2500 Vrms 1 minute @ Pri to Sec.
1500 Vrms 1 minute @ Pri to Core.
1500 Vrms 1 minute @ Sec to Core.
500 Vrms 1 minute @ Sec to Sec.



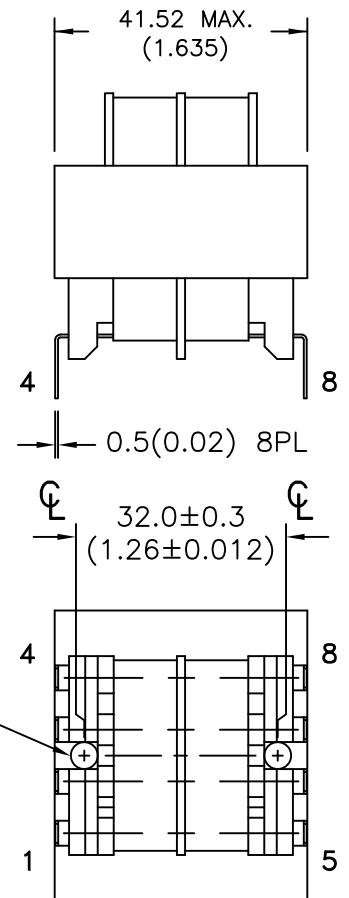
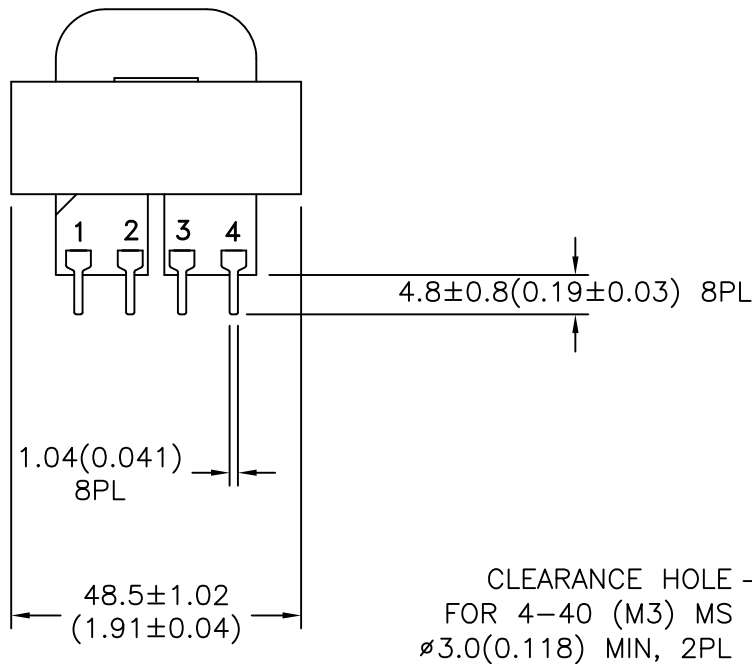
B. Marking: TAMURA, Tamura part number (see sheet 2), MICROTRAN, Microtran part number (see sheet 2), date code, country of origin, safety logos and input and output ratings.



C. Safety:

- Insulation Class B (130°C) File No. E92957.
- CSA 22.2 No. 66-1988, File No. 069808.
- UL 1585, Class 2 or 3, Noninherently limited, File No. E95844.
- UL 506, General Purpose, File No. E91239.

D. Mechanical Specifications:



PREPARED BY:

E. BRINER

ENGINEER:

M. PITCHAI

SAFETY ENGINEER

B. O.

APPROVED:

T. BROOKS

DRAWING CONTROL NO.	REV
P-A1-11164-1	D

CONTENTS OF THIS DRAWING ARE SUBJECT TO CHANGE WITHOUT PRIOR NOTICE

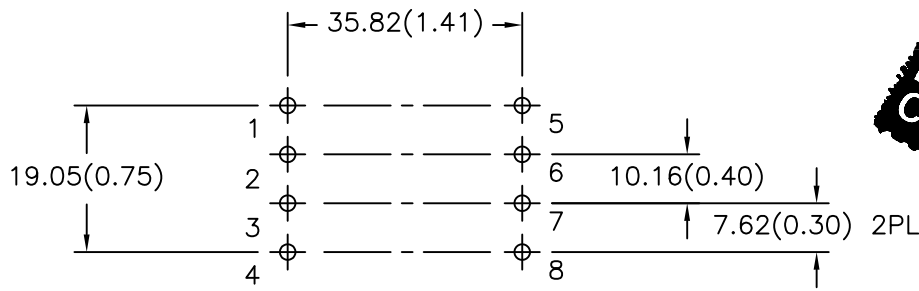
MODEL DESCRIPTION
SIZE 5 3FD & PSD FAMILY POWER TRANSFORMER
TAMURA CORPORATION OF AMERICA
1040 SOUTH ANDREASEN DRIVE, #100 ESCONDIDO, CA. 92029 (951) 699-1270 FAX 7607400536

MODEL SPECIFICATION
3FD-5XX & PSD5-XX
DIM: mm[In] SCL: NONE SH: 1 OF 2

PROPRIETARY NOTICE: THIS DRAWING PRINT OR DOCUMENT AND SUBJECT MATTER DISCLOSED HEREIN ARE PROPRIETARY ITEMS TO WHICH TAMURA RETAINS THE EXCLUSIVE RIGHT OF DISSEMINATION, REPRODUCTION, MANUFACTURE AND SALE. THIS DRAWING, PRINT OR DOCUMENT IS SUBMITTED IN CONFIDENCE FOR CONSIDERATION BY THE RECIPIENT ALONE UNLESS PERMISSION FOR FURTHER DISCLOSURE IS EXPRESSLY GRANTED IN WRITING.

SEE SHEET
1 OF 2 FOR
REVISION
HISTORY

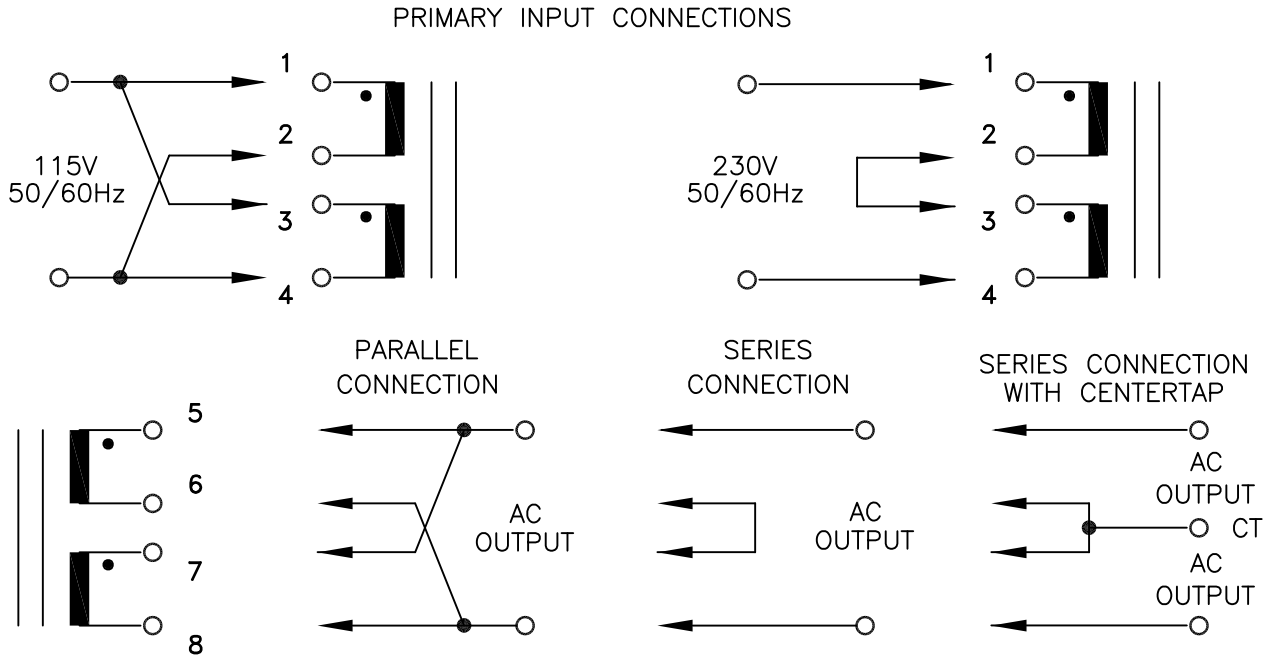
E. Mounting Footprint:



MODEL NUMBER

3FD-5XX & PSD5-XX

F. Connection Diagram:



*not UL - recognized for series connect.

G. Table A: (NOTE: All parts are dual marked with both part numbers)

UL APPROVED FUSE

TAMURA P/N	MICROTRAN PART NO.	PARALLEL		SERIES		SERIES WITH CT		SECONDARY FUSE REQUIRED EACH WINDING
		AC VOLTS	RMS AMPS	AC VOLTS	RMS AMPS	AC VOLTS	RMS AMPS	
3FD-510	PSD5-10	5.0	2.4	10.0	1.2	5.0-CT-5.0	1.2	1.5A
3FD-512	PSD5-12	6.3	2.0	12.6	1.0	6.3-CT-6.3	1.0	1.25A
3FD-516	PSD5-16	8.0	1.6	16.0	0.8	8.0-CT-8.0	0.8	1.0A
3FD-520	PSD5-20	10.0	1.2	20.0	0.6	10.0-CT-10.0	0.6	0.75A
3FD-524	PSD5-24	12.0	1.0	24.0	0.5	12.0-CT-12.0	0.5	0.6A
3FD-528	PSD5-28	14.0	0.84	28.0	0.42	14.0-CT-14.0	0.42	0.5A
3FD-536	PSD5-36	18.0	0.7	36.0	0.35	18.0-CT-18.0	0.35	0.5A
3FD-548	PSD5-48	24.0	0.5	48.0	0.25	24.0-CT-24.0	0.25	0.315A
3FD-556	PSD5-56	28.0	0.44	56.0	0.22	28.0-CT-28.0	0.22	0.3A
3FD-5120	PSD5-120	60.0	0.2	120.0*	0.1	60.0-CT-60.0	0.1	N/A

PREPARED BY:

E. BRINER

ENGINEER:

M. PITCHAI

SAFETY ENGINEER

B. O.

APPROVED:

T. BROOKS

DRAWING CONTROL NO. P-A1-11164-2
REV D

MODEL DESCRIPTION
SIZE 5 3FD & PSD FAMILY
POWER TRANSFORMER

MODEL SPECIFICATION
3FD-5XX & PSD5-XX

CONTENTS OF THIS DRAWING ARE SUBJECT TO CHANGE WITHOUT PRIOR NOTICE

TAMURA CORPORATION OF AMERICA
1040 SOUTH ANDREASEN DRIVE, #100 ESCONDIDO, CA. 92029
(951) 699-1270 FAX 7607400536

DIM: mm[In] SCL: NONE SH: 2 OF 2

PROPRIETARY NOTICE: THIS DRAWING PRINT OR DOCUMENT AND SUBJECT MATTER DISCLOSED HEREIN ARE PROPRIETARY ITEMS TO WHICH TAMURA RETAINS THE EXCLUSIVE RIGHT OF DISSEMINATION, REPRODUCTION, MANUFACTURE AND SALE. THIS DRAWING, PRINT OR DOCUMENT IS SUBMITTED IN CONFIDENCE FOR CONSIDERATION BY THE RECIPIENT ALONE UNLESS PERMISSION FOR FURTHER DISCLOSURE IS EXPRESSLY GRANTED IN WRITING.

Mouser Electronics

Authorized Distributor

Click to View Pricing, Inventory, Delivery & Lifecycle Information:

[Tamura:](#)

[3FD-548](#) [3FD-512](#) [3FD-528](#) [3FD-520](#) [3FD-536](#) [3FD-516](#) [3FD-510](#) [3FD-524](#) [3FD-556](#)