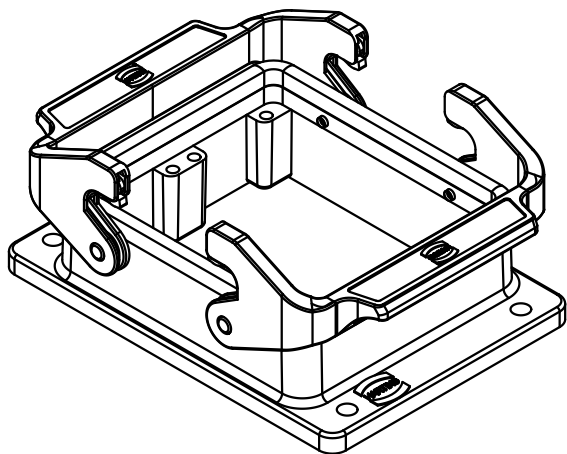
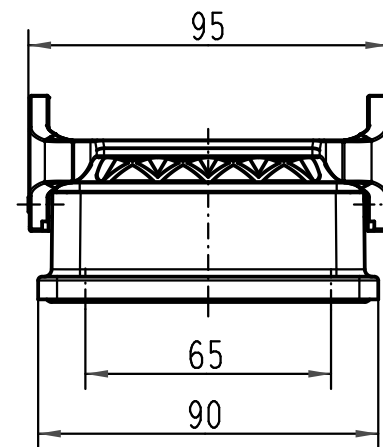
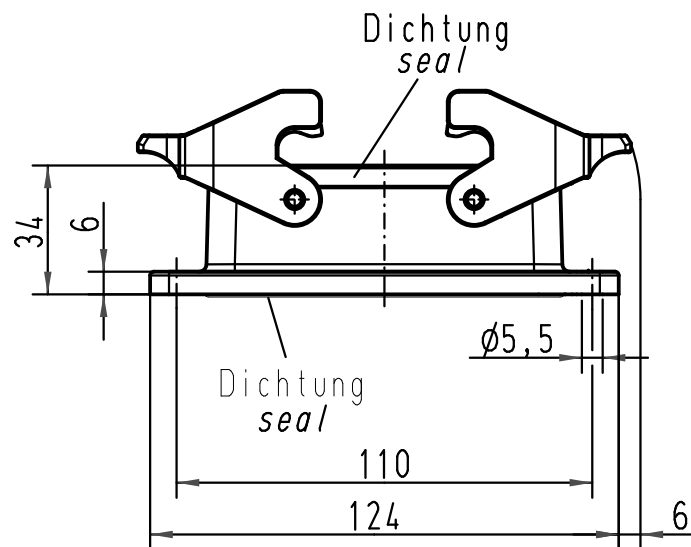
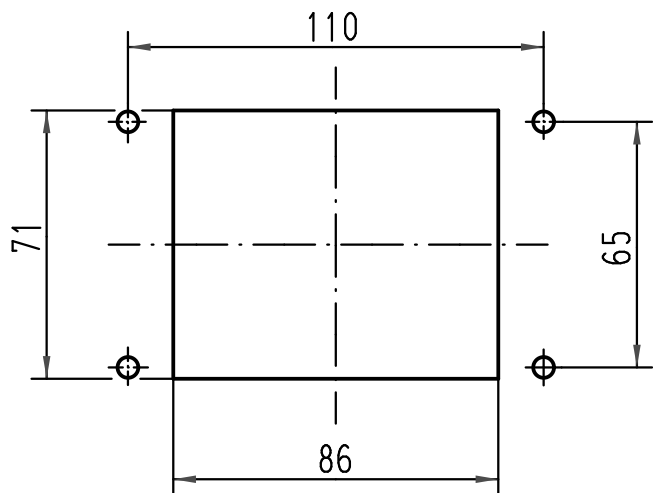


Montageausschnitt  
panel cut out



All Dimensions in mm Original Size DIN A 4			Techn. Character.			Nicht tolerierte Maß/Free size tolerances		
			Dat.	Name	Maßstab/Scale <b>1:2</b>	<b>Han 32B-agg-QB</b> Anbaugehäuse housing bulkhead mounting		
			Detail.	05.02.93 PENNER				
			Insp.	HERB				
			Stand.	NÖTZEL				
413164	30.08.07	Ho	HARTING Electric GmbH & Co. KG			<b>TB 09 30 032 0301</b>		
411137	12.07.04	ML	D-32339 Espelkamp					
24826	30.11.98	PL						
Mod.	Dat.	Name				Sub.		

# Mouser Electronics

Authorized Distributor

Click to View Pricing, Inventory, Delivery & Lifecycle Information:

[HARTING:](#)

[09300320301](#)