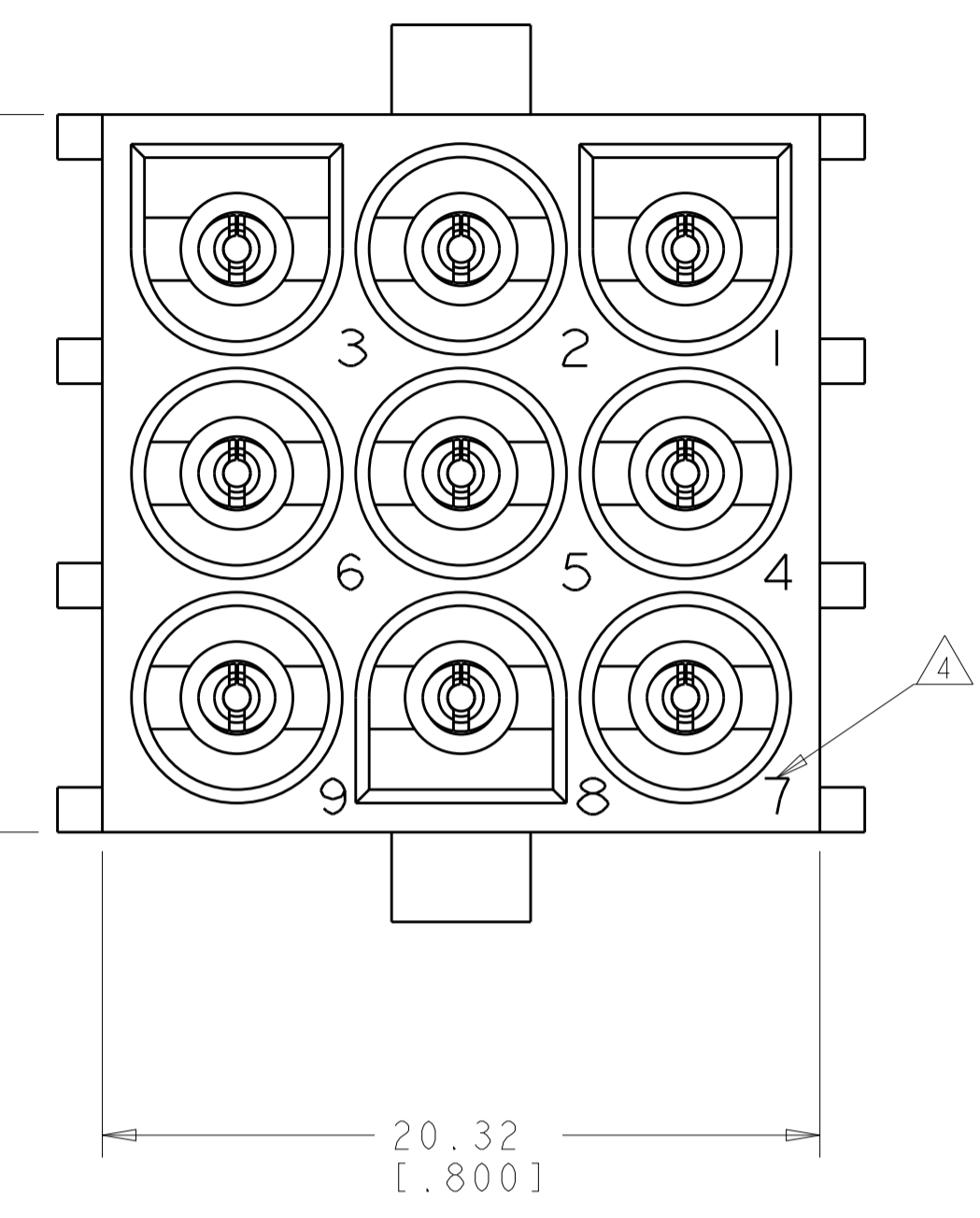
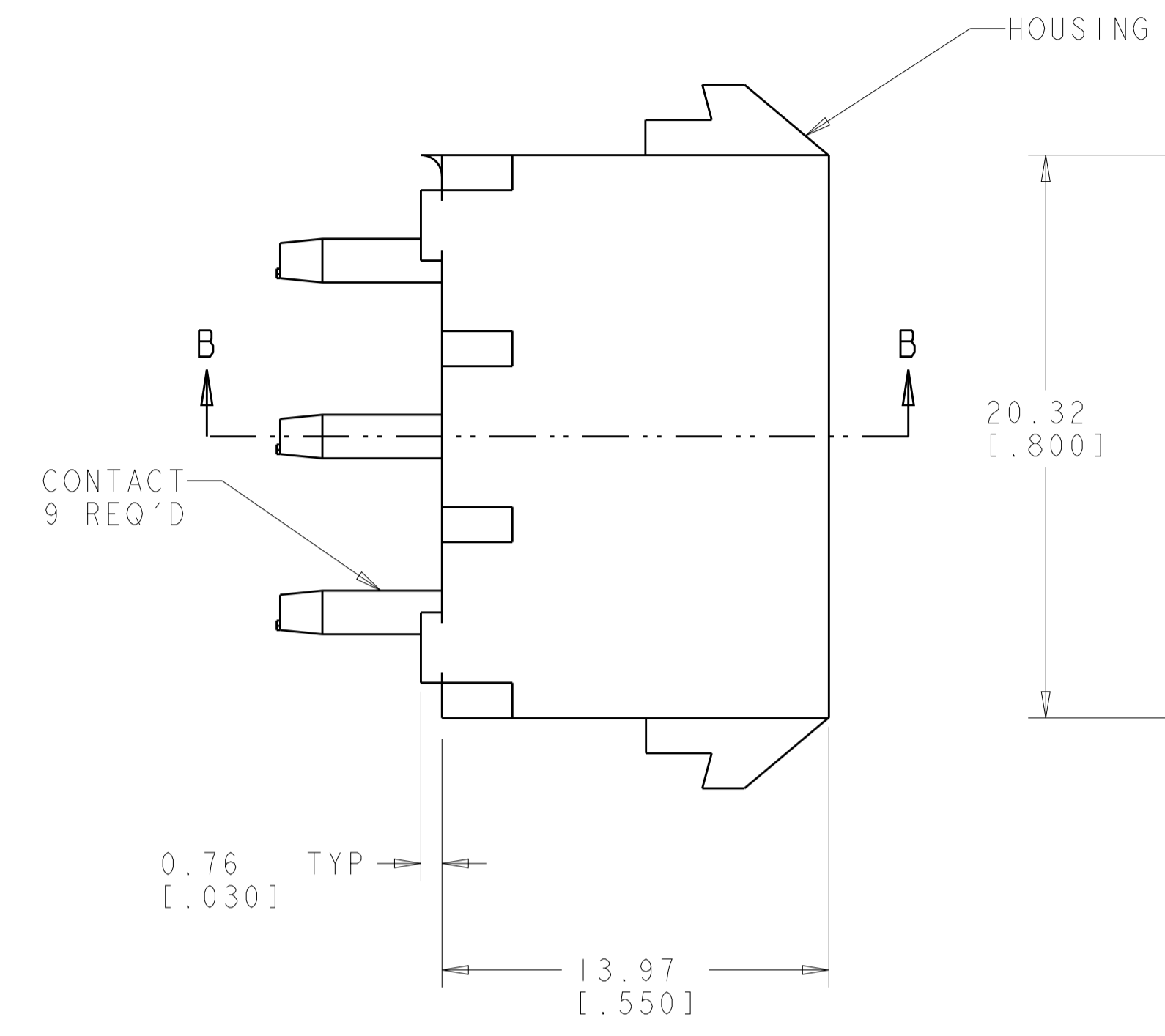
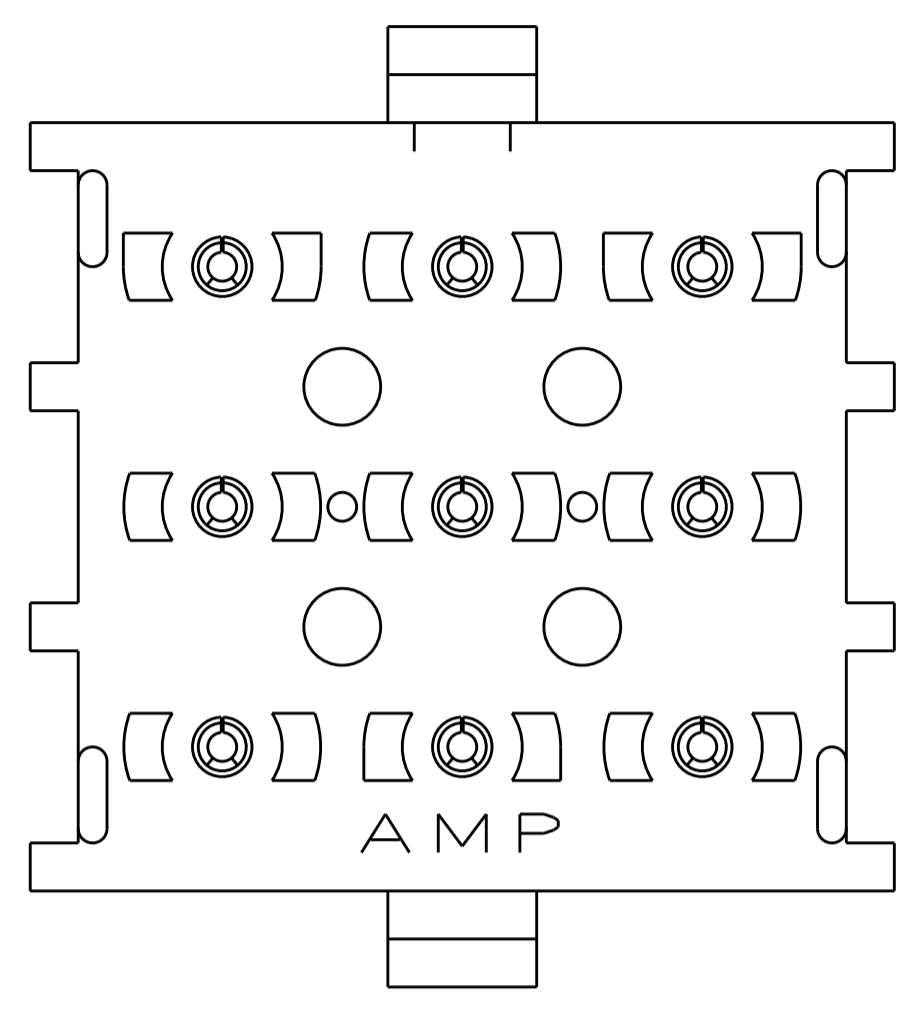
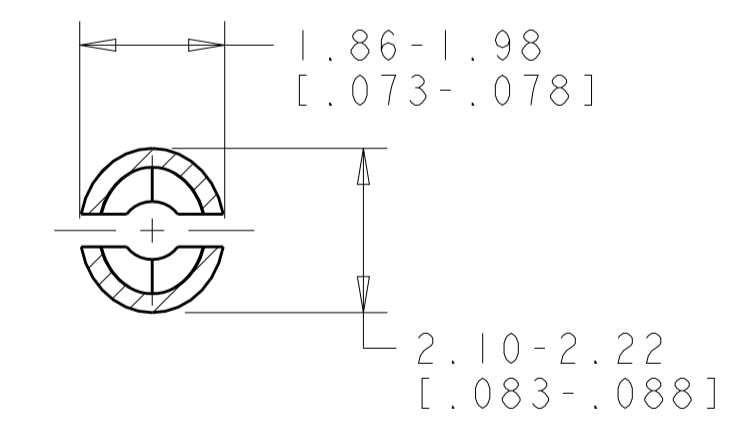
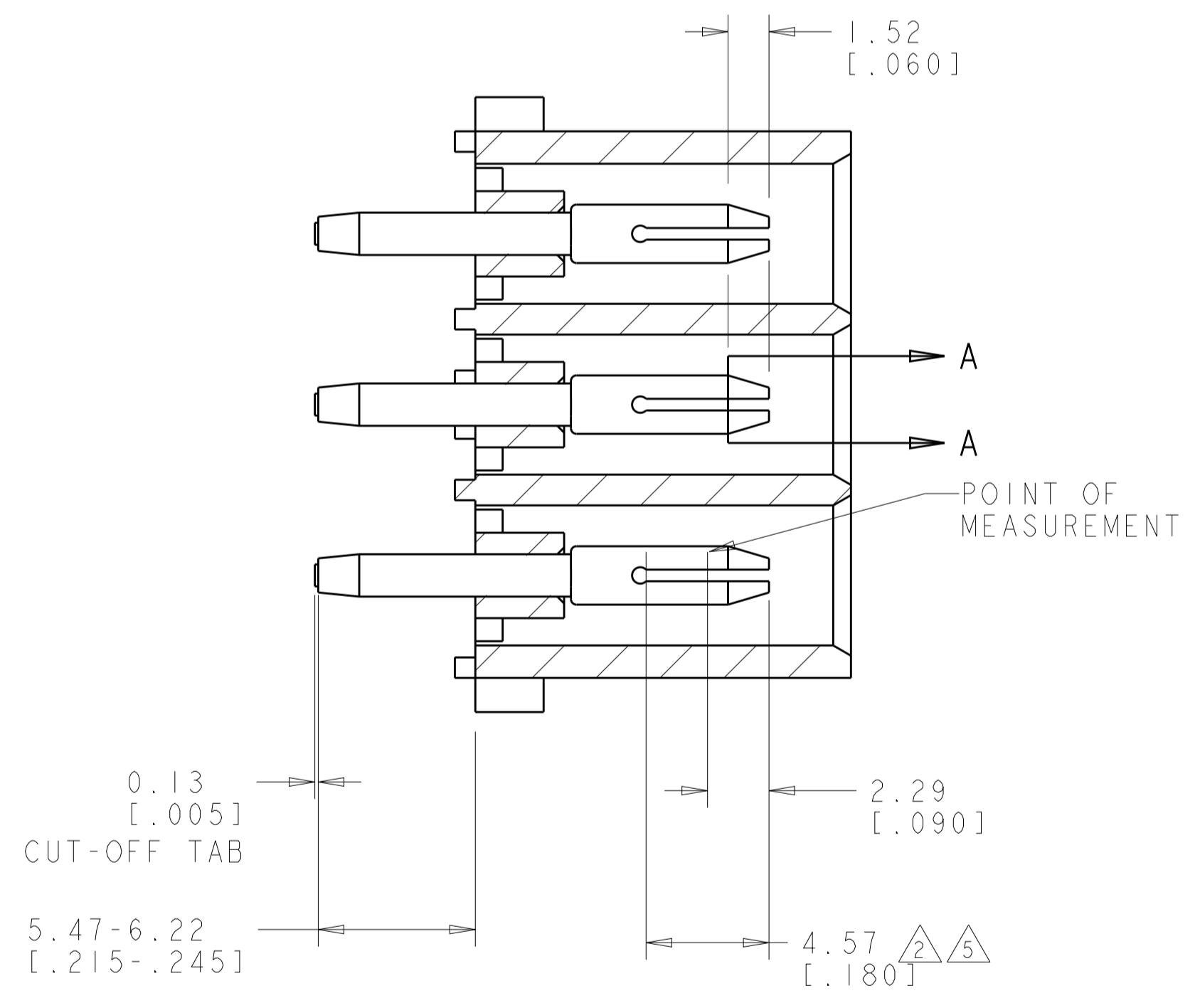


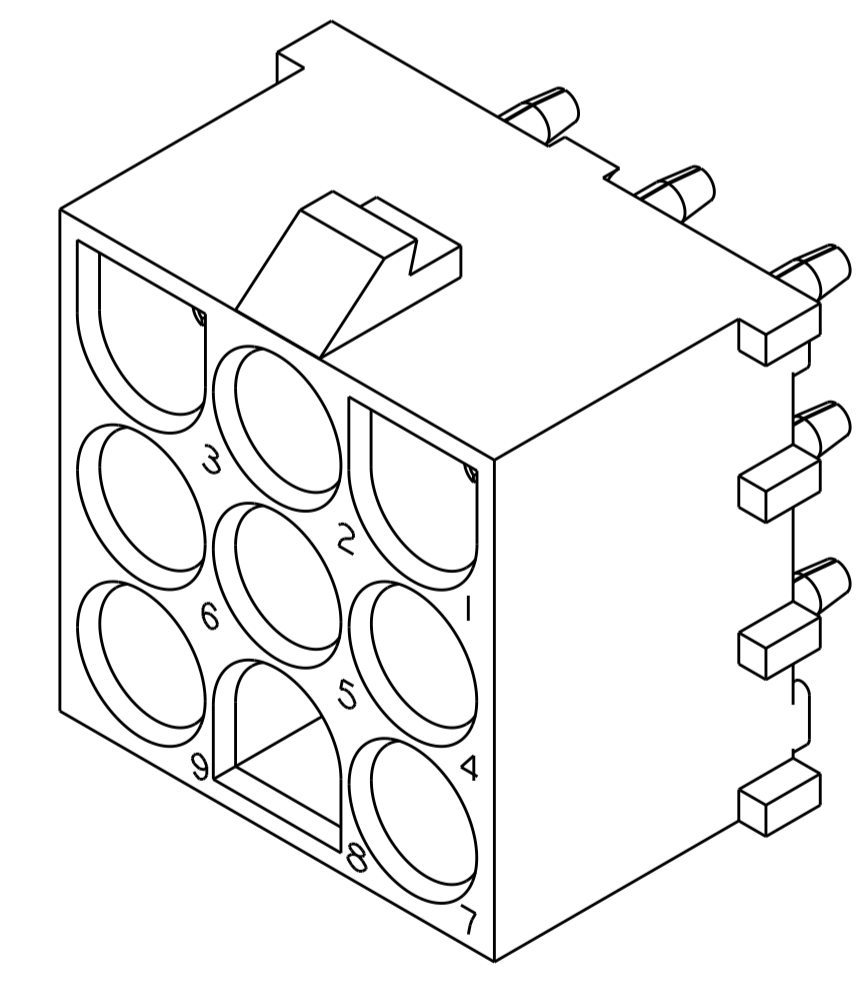
LOC	DIST	REVISIONS			
P	LTN	DESCRIPTION	DATE	DWN	APVD
CM	00	P1	REVISED PER ECR-12-011660	04FEB2013	KH TM



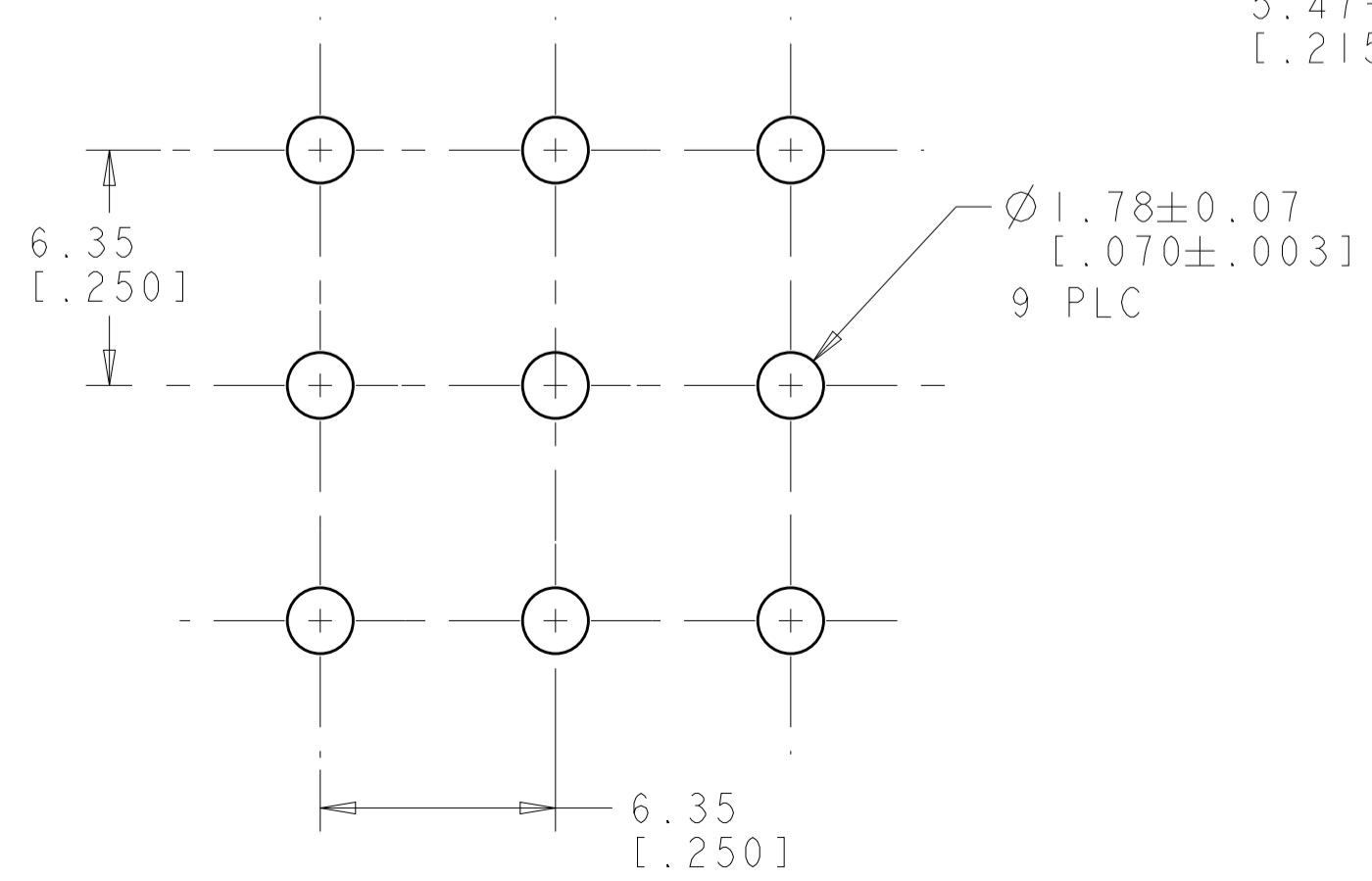
- PARTS COMPLY TO AMP SOLDERABILITY SPECIFICATION 109-11-3.
- CONTACT IS PLATED OVERALL WITH 0.00127 [.000050] NICKEL, THEN 0.00076 [.000030] GOLD OVER CONTACT LENGTH INDICATED AND TIN LEAD ON SOLDER TAIL END.
- MATES WITH HOUSING 350720.
- CIRCUIT IDENTIFICATION CHARACTERS ARE ADJACENT TO THE INDICATED CAVITIES, BUT LOCATION AND ORIENTATION MAY DIFFER FROM PRINT.
- CONTACT IS PLATED OVERALL WITH 0.00127 [.000050] NICKEL, THEN 0.00076 [.000030] GOLD OVER CONTACT LENGTH INDICATED AND MATTE TIN ON SOLDER TAIL END.
- DIMENSIONS IN BRACKETS ARE IN INCHES.
- SUPERSEDED BY 350742-4



SECTION A-A
SCALE 10:1



3 DIMENSIONAL MODEL
SCALE 4:1



RECOMMENDED MOUNTING HOLE PATTERN
FOR 1.57 [.062] THICK P.C. BOARD

MATERIAL	FINISH	HOUSING MATERIAL AND COLOR	PART NUMBER
PHOSPOR BRONZE, GOLD	2	NYLON, UL94V-0, NATURAL	350742-4
PHOSPOR BRONZE, GOLD	2	NYLON, UL94V-0, NATURAL	350742-2
PHOSPOR BRONZE, PRE-TIN		NYLON, UL94V-0, NATURAL	350742-1
PIN CONTACT MATERIAL AND FINISH		HOUSING MATERIAL AND COLOR	PART NUMBER

THIS DRAWING IS A CONTROLLED DOCUMENT.

DIMENSIONS: mm [INCHES]	TOLERANCES UNLESS OTHERWISE SPECIFIED:	DWN R. WHITAKER CHK S. RIDGILL APVD S. RIDGILL	05OCT2005 05OCT2005 05OCT2005
MATERIAL SEE TABLE	FINISH SEE TABLE	NAME S. RIDGILL	PRODUCT SPEC
MATERIAL AND FINISH		APPLICATION SPEC	RESTRICTED TO
WEIGHT		SIZE	CAGE CODE
CUSTOMER DRAWING		SCALE	SHEET

STE TE Connectivity

PIN HEADER ASSEMBLY,
9 CIRCUIT, LONG TAIL,
UNIVERSAL MATE-N-LOK(TM)

A100779C=350742

Mouser Electronics

Authorized Distributor

Click to View Pricing, Inventory, Delivery & Lifecycle Information:

[TE Connectivity:](#)

[350742-4](#)