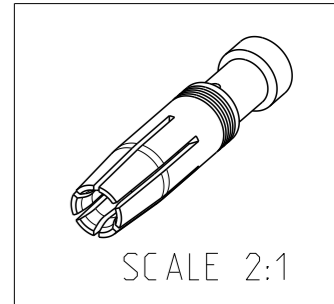
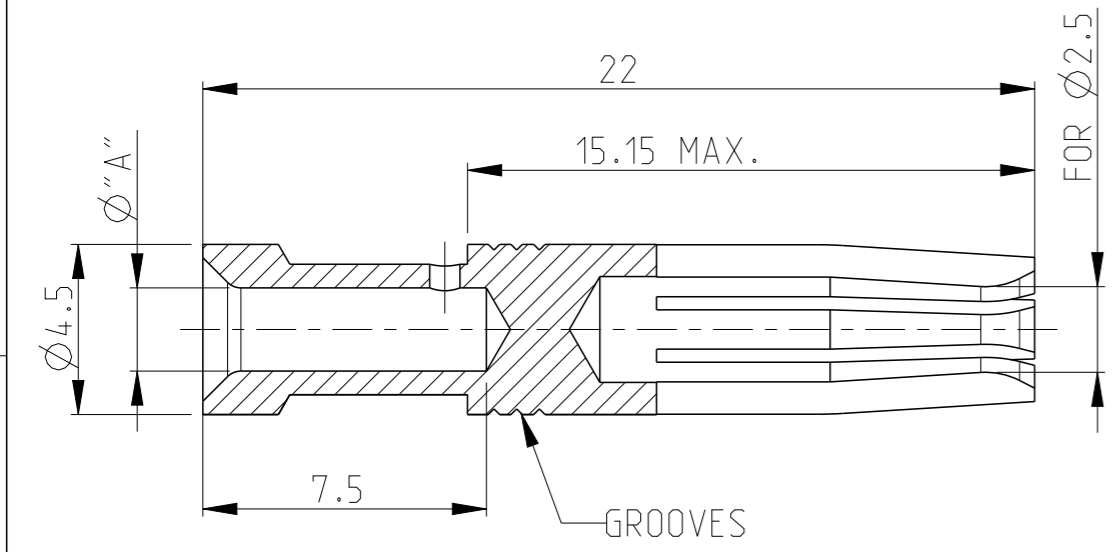


THIS DRAWING IS UNPUBLISHED. RELEASED FOR PUBLICATION 2006
 © COPYRIGHT 2006 BY - ALL RIGHTS RESERVED.

LOC	DIST	REVISIONS			
P	LTR	DESCRIPTION	DATE	DWN	APVD
	J4	REVISED PER ECO-11-005030	24MAR2011	RK	HMR
	J5	ECR-15-003938	26MAR2015	RK	MKO
	J6	ECR-16-016696	15SEP2017	GA	MKO
	J7	ECR-16-016780	15NOV2017	GR	MKO



Notes

- 1 MATERIAL: BRASS
- 2 FINISH SILVER PLATING: 2 µm Ag MIN. OVER Cu
- 3 FINISH GOLD PLATING: 0.75 µm Au MIN. OVER Ni
- 4 FINISH TIN PLATING: 0.6 µm Sn. MIN. OVER Cu
- 5 VENTILATION HOLE PRESENT ON ALL PARTS
- 6 WEIGHT: 0.00160 kg, PER PIECE (APPROX.)
- 7 PACKAGING: 50 PIECES IN POLYBAG
- 8 PACKAGING: 500 PIECES IN POLYBAG & CARTON
- 9 PACKAGING: 20000 PIECES IN POLYBAGS & CARTONS
- 10 SUITABLE PIN CONTACT: PN 1105100
- 11 SUITABLE INSERTS: SERIES HA, HE, HVE, HVS
- 12 SUITABLE CRIMP TOOL: PN 1-1105851-8
- 13 SUITABLE INSERTION TOOL: PN 0-1102855-6
- 14 SUITABLE EXTRACTION TOOL: PN 0-1102855-7
- 15 STANDARDS: DIN EN 61984, DIN EN 60664-1
- 16 OBSOLETE

		7	8	9			
HE/HA-C-Bu.Sn 4,0mm ²	TIN 4	4.0	2.8	-	-	5-0	5-3
HE/HA-C-Bu.Sn 2,5mm ²		2.5	2.2	3	-	4-0	4-3
HE/HA-C-Bu.Sn 1,5mm ²		1.5	1.7	2	-	3-0	3-3
HE/HA-C-Bu.Au 4,0mm ²	GOLD 3	4.0	2.8	-	5-2	5-9	-
HE/HA-C-Bu.Au 2,5mm ²		2.5	2.2	3	4-2	4-9	-
HE/HA-C-Bu.Au 1,5mm ²		1.5	1.7	2	3-2	3-9	-
HE/HA-C-Bu.Au 0,75-1,0mm ²	SILVER 2	0.75-1.0	1.4	1	2-2	2-9	-
HE/HA-C-Bu.Au 0,5mm ²		0.5	1.1	-	1-2	1-9	-
HE/HA-C-Bu.Au 0,14-0,37mm ²		0.14-0.37	0.9	3	6-2	6-9	-
HE/HA-C-Bu.Ag 4,0mm ²	SILVER 2	4.0	2.8	-	5-1	5-8	-
HE/HA-C-Bu.Ag 2,5mm ²		2.5	2.2	3	4-1	4-8	-
HE/HA-C-Bu.Ag 1,5mm ²		1.5	1.7	2	3-1	3-8	-
HE/HA-C-Bu.Ag 0,75-1,0mm ²	SILVER 2	0.75-1.0	1.4	1	2-1	2-8	-
HE/HA-C-Bu.Ag 0,5mm ²		0.5	1.1	-	1-1	1-8	-
HE/HA-C-Bu.Ag 0,14-0,37mm ²		0.14-0.37	0.9	3	6-1	6-8	-
		[MM ²]	"A"	NO.OF GROOVES	P.U.=50	P.U.=500	P.U.=20000
ORDERING TEXT	PLATING	CROSS SECTION	DIMS	MARKINGS	BAG	BOX	BOX

PARTS LIST

THIS DRAWING IS A CONTROLLED DOCUMENT.		DWN G.WROBLEWSKI 20SEP2007	TE Connectivity	
DIMENSIONS: mm		CHK H.BRAUN 20SEP2007		
TOLERANCES UNLESS OTHERWISE SPECIFIED: ISO 8075, DIN 150 2768 mH-E, DIN 16901-120		APVD T. SCHNURPFIL 20SEP2007	NAME	
0 PLC ±		PRODUCT SPEC 108-74004	SOCKET CONTACT SERIES HA, HE, HVE	
1 PLC ±		APPLICATION SPEC 114-74003	SIZE A3	CAGE CODE 00779
2 PLC ±		WEIGHT -	DRAWING NO C=1105101	RESTRICTED TO -
3 PLC ±			SCALE 5:1	SHEET 1 OF 1
4 PLC ±				REV J7
ANGLES ±				
FINISH				
MATERIAL 1				
2 3 4				

Mouser Electronics

Authorized Distributor

Click to View Pricing, Inventory, Delivery & Lifecycle Information:

[TE Connectivity:](#)

[3-1105101-1](#)