

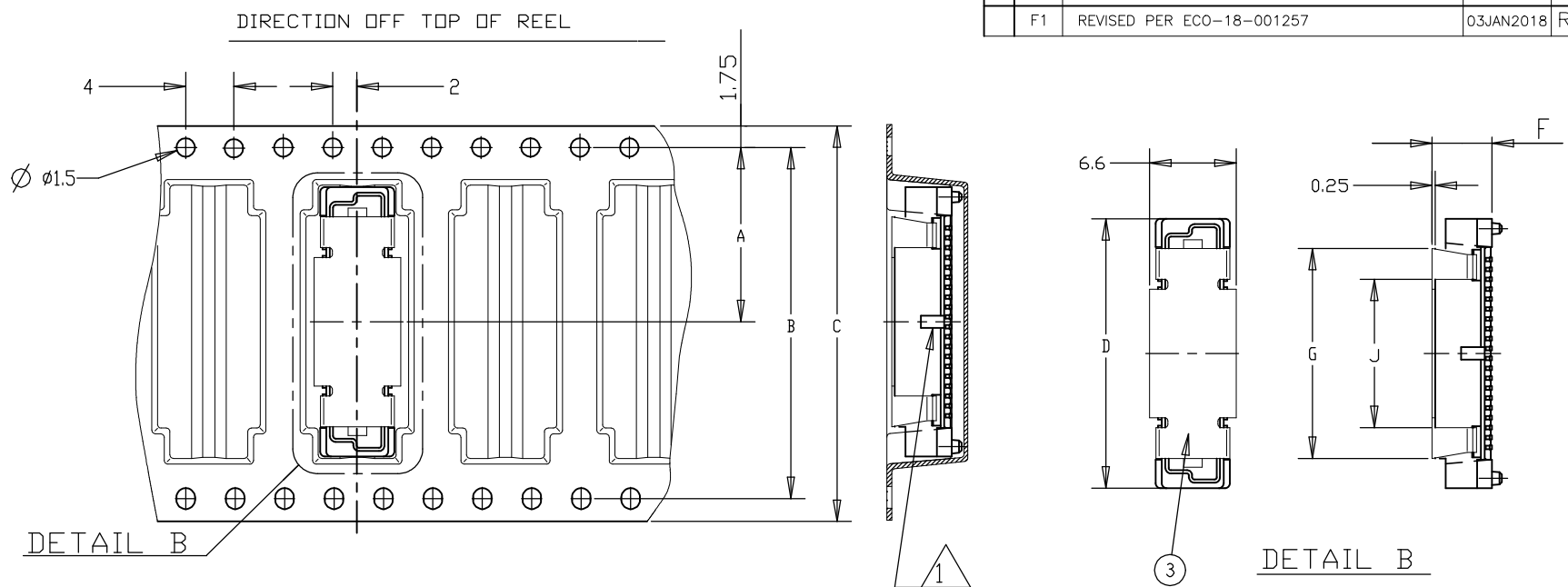
THIS DRAWING IS UNPUBLISHED. RELEASED FOR PUBLICATION
 © COPYRIGHT - TE Connectivity ALL RIGHTS RESERVED.

REVISIONS				
P	LTR	DESCRIPTION	DATE	APVD
F1		REVISED PER ECO-18-001257	03JAN2018	R.L H.L

LOW HALOGEN

Notes:

- 1 CUTOUT FEATURE AVAILABLE ONLY ON 5H ASSY P/N -1 (40P) AND -2 (60P).
- 6 0.00038 MIN GOLD PLATING (15u INCHES GOLD PLATING)
- 3 CONNECTOR DIMENSIONS REFERENCED FROM DRAWING WHICH CONN. P/Ns BASED
- 4 CONNECTOR WITH BLACK HOUSING
- 5 MATERIAL: HOUSING: L.C.P UL 94-V0. CONTACT: BRASS



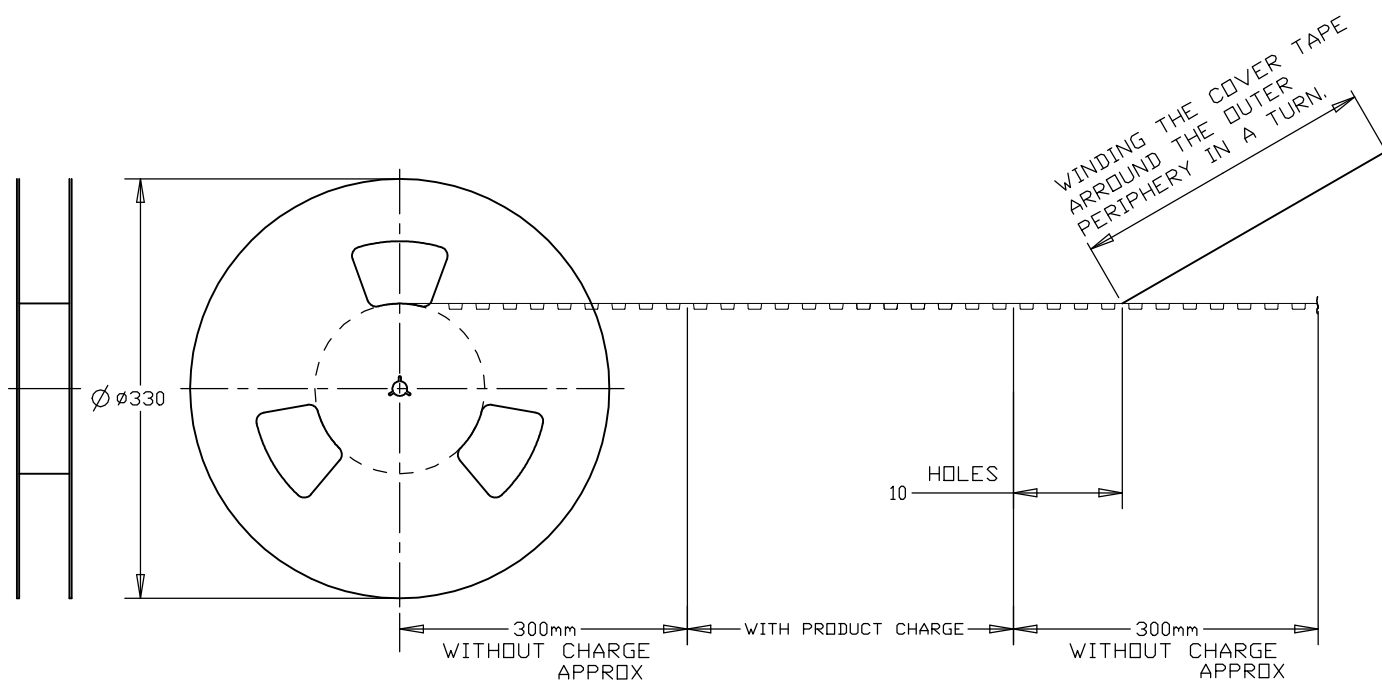
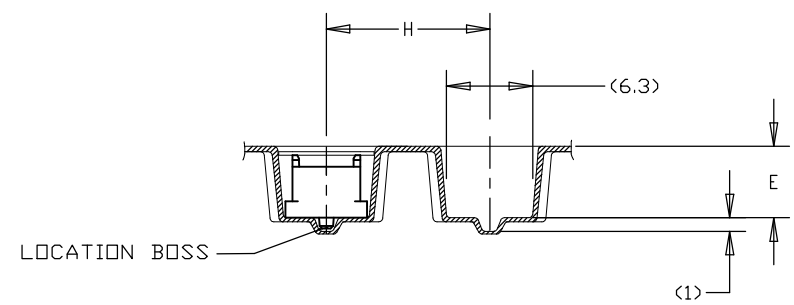
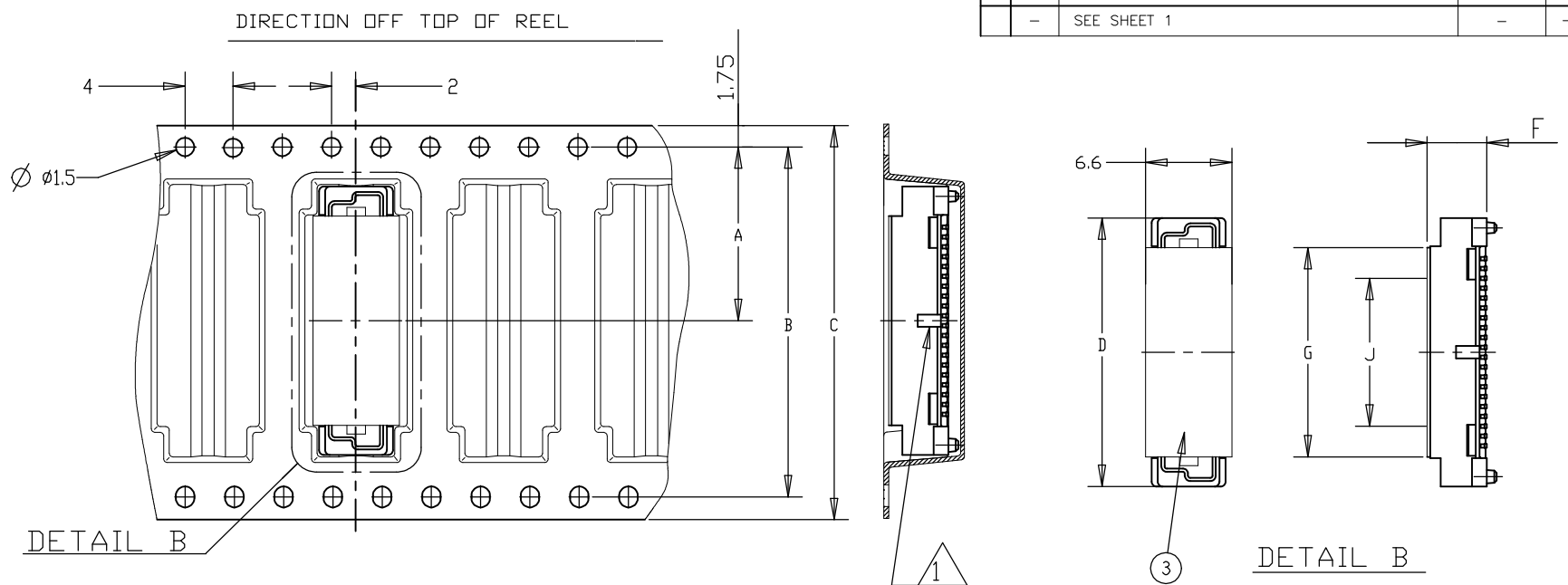
REMARKS	QTY	HEIGHT TYPE	F1										POS	SALEABLE PART NO.							
			Y	X	J	H	G	F	E	D	C	B			A						
0.00076 MIN GOLD PLATING (30u INCHES GOLD PLATING)	450														61.8	88	84.4	42.2	140	7-	-6
	700	7H	3.6	6.6	12		6.85	7.25	21.8	32	28.4	14.2	40		53.8	72	68.4	34.2	120	7-	-5
0.0002 MIN GOLD PLATING (7.8u INCHES GOLD PLATING)	400														45.8	72	68.4	34.2	100	7-	-4
	600	8H	4.6	7.6	12		7.85	8.25	21.8	32	28.4	14.2	40		37.8	56	52.4	26.2	80	7-	-3
0.0002 MIN GOLD PLATING (7.8u INCHES GOLD PLATING)	500	7H	3.6	6.6	16		6.85	7.25	21.8	32	28.4	14.2	40		29.8	44	40.4	20.2	60	7-	-2
	550														69.8				160	6-	-8
0.0002 MIN GOLD PLATING (7.8u INCHES GOLD PLATING)	650														61.8	88	84.4	42.2	140	6-	-6
	900	5H	1.2	4.6	12	12	17	4.85	5.25	21.8	32	28.4	14.2	40	53.8				120	6-	-5
0.0002 MIN GOLD PLATING (7.8u INCHES GOLD PLATING)	700	6H	2.6	5.6	12		5.85	6.25	21.8	32	28.4	14.2	40		45.8	72	68.4	34.2	100	6-	-4
	800	6H	2.6	5.6	12		5.85	6.25	21.8	32	28.4	14.2	40		37.8	56	52.4	26.2	80	6-	-3
0.0002 MIN GOLD PLATING (7.8u INCHES GOLD PLATING)	900	5H	1.2	4.6	12	12	17	4.85	5.25	21.8	32	28.4	14.2	40	29.8	44	40.4	20.2	60	6-	-2
	900	5H	1.2	4.6	12	12	17	4.85	5.25	37.8	56	52.4	26.2	80					8-5177986-3		
0.0002 MIN GOLD PLATING (7.8u INCHES GOLD PLATING)	450	7H	3.6	6.6	12	16	17	6.85	7.25	53.8	72	68.4	34.2	120					4-5177986-5		
	450									85.8				200	4-						
0.0002 MIN GOLD PLATING (7.8u INCHES GOLD PLATING)	550									77.8	104	100.4	50.2	180	3-						
	650									69.8				160	3-						
0.0002 MIN GOLD PLATING (7.8u INCHES GOLD PLATING)	700									61.8	88	84.4	42.2	140	3-						
	800									53.8				120	3-						
0.0002 MIN GOLD PLATING (7.8u INCHES GOLD PLATING)	900									45.8	72	68.4	34.2	100	3-						
	900									37.8	56	52.4	26.2	80	3-						
0.0002 MIN GOLD PLATING (7.8u INCHES GOLD PLATING)	450	7H	3.6	6.6	12					29.8	44	40.4	20.2	60	3-						
	500	7H	3.6	6.6	16					21.8	32	28.4	14.2	40	3-5177986-1						
0.0002 MIN GOLD PLATING (7.8u INCHES GOLD PLATING)	550									85.8				200	3-						
	650									77.8	104	100.4	50.2	180	2-						
0.0002 MIN GOLD PLATING (7.8u INCHES GOLD PLATING)	700									69.8				160	2-						
	800									61.8	88	84.4	42.2	140	2-						
0.0002 MIN GOLD PLATING (7.8u INCHES GOLD PLATING)	900									53.8				120	2-						
	900									45.8	72	68.4	34.2	100	2-						
0.0002 MIN GOLD PLATING (7.8u INCHES GOLD PLATING)	450	7H	3.6	6.6	12					37.8	56	52.4	26.2	80	2-						
	500	7H	3.6	6.6	16					29.8	44	40.4	20.2	60	2-5177986-1						
0.0002 MIN GOLD PLATING (7.8u INCHES GOLD PLATING)	550									21.8	32	28.4	14.2	40	2-5177986-0						
	650									61.8	88	84.4	42.2	140	1-						
0.0002 MIN GOLD PLATING (7.8u INCHES GOLD PLATING)	700									53.8				120	1-						
	800									45.8	72	68.4	34.2	100	1-						
0.0002 MIN GOLD PLATING (7.8u INCHES GOLD PLATING)	900									37.8	56	52.4	26.2	80	1-						
	900									29.8	44	40.4	20.2	60	1-5177986-1						
0.0002 MIN GOLD PLATING (7.8u INCHES GOLD PLATING)	450	6H	2.6	5.6	12					69.8				160							
	500	6H	2.6	5.6	12					61.8	88	84.4	42.2	140							
0.0002 MIN GOLD PLATING (7.8u INCHES GOLD PLATING)	550									53.8				120							
	650									45.8	72	68.4	34.2	100							
0.0002 MIN GOLD PLATING (7.8u INCHES GOLD PLATING)	700									37.8	56	52.4	26.2	80							
	800									29.8	44	40.4	20.2	60							
0.0002 MIN GOLD PLATING (7.8u INCHES GOLD PLATING)	900									69.8				160							
	900									61.8	88	84.4	42.2	140							
0.0002 MIN GOLD PLATING (7.8u INCHES GOLD PLATING)	450	5H	1.2	4.6	12	12	17	4.85	5.25	21.8	32	28.4	14.2	40							
	500	5H	1.2	4.6	12	12	17	4.85	5.25	37.8	56	52.4	26.2	80							
0.0002 MIN GOLD PLATING (7.8u INCHES GOLD PLATING)	550	5H	1.2	4.6	12	12	17	4.85	5.25	53.8	72	68.4	34.2	120							
	600	5H	1.2	4.6	12	12	17	4.85	5.25	85.8				200	4-						
0.0002 MIN GOLD PLATING (7.8u INCHES GOLD PLATING)	650	5H	1.2	4.6	12	12	17	4.85	5.25	77.8	104	100.4	50.2	180	3-						
	700	5H	1.2	4.6	12	12	17	4.85	5.25	69.8				160	3-						
0.0002 MIN GOLD PLATING (7.8u INCHES GOLD PLATING)	750	5H	1.2	4.6	12	12	17	4.85	5.25	61.8	88	84.4	42.2	140	3-						
	800	5H	1.2	4.6	12	12	17	4.85	5.25	53.8				120	3-						
0.0002 MIN GOLD PLATING (7.8u INCHES GOLD PLATING)	850	5H	1.2	4.6	12	12	17	4.85	5.25	45.8	72	68.4	34.2	100	3-						
	900	5H	1.2	4.6	12	12	17	4.85	5.25	37.8	56	52.4	26.2	80	3-						
0.0002 MIN GOLD PLATING (7.8u INCHES GOLD PLATING)	950	5H	1.2	4.6	12	12	17	4.85	5.25	29.8	44	40.4	20.2	60	3-						
	900	5H	1.2	4.6	12	12	17	4.85	5.25	21.8	32	28.4	14.2	40	3-5177986-1						
0.0002 MIN GOLD PLATING (7.8u INCHES GOLD PLATING)	450	6H	2.6	5.6	12					85.8				200	3-						
	500	6H	2.6	5.6	12					77.8	104	100.4	50.2	180	2-						
0.0002 MIN GOLD PLATING (7.8u INCHES GOLD PLATING)	550	6H	2.6	5.6	12					69.8				160	2-						
	600	6H	2.6	5.6	12					61.8	88	84.4	42.2	140	2-						
0.0002 MIN GOLD PLATING (7.8u INCHES GOLD PLATING)	650	6H	2.6	5.6	12					53.8				120	2-						
	700	6H	2.6	5.6	12					45.8	72	68.4	34.2	100	2-						
0.0002 MIN GOLD PLATING (7.8u INCHES GOLD PLATING)	750	6H	2.6	5.6	12					37.8	56	52.4	26.2	80	2-						
	800	6H	2.6	5.6	12					29.8	44	40.4	20.2	60	2-5177986-1						
0.0002 MIN GOLD PLATING (7.8u INCHES GOLD PLATING)	850	6H	2.6	5.6	12					21.8	32	28.4	14.2	40	2-5177986-0						
	900	6H	2.6	5.6	12					61.8	88	84.4	42.2	140	1-						
0.0002 MIN GOLD PLATING (7.8u INCHES GOLD PLATING)	950	6H	2.6	5.6	12					53.8				120	1-						
	900	6H	2.6	5.6	12					45.8	72	68.4	34.2	100	1-						
0.0002 MIN GOLD PLATING (7.8u INCHES GOLD PLATING)	450	7H	3.6	6.6	12					37.8	56	52.4	26.2	80	1-						
	500	7H	3.6	6.6	16					29.8	44	40.4	20.2	60	1-5177986-1						
0.0002 MIN GOLD PLATING (7.8u INCHES GOLD PLATING)	550	7H	3.6	6.6	12					21.8	32	28.4	14.2	40	2-5177986-0						
	600	7H	3.6	6.6	12					61.8	88	84.4	42.2	140	1-						
0.0002 MIN GOLD PLATING (7.8u INCHES GOLD PLATING)	650	7H	3.6	6.6	12					53.8				120	1-						
	700	7H	3.6	6.6	12					45.8	72	68.4	34.2	100	1-						
0.0002 MIN GOLD PLATING (7.8u INCHES GOLD PLATING)	750	7H	3.6	6.6	12					37.8	56	52.4	26.2	80	1-						
	800	7H	3.6	6.6	12					29.8	44	40.4	20.2	60	1-5177986-1						
0.0002 MIN GOLD PLATING (7.8u INCHES GOLD PLATING)	850	7H	3.6	6.6	12					21.8	32	28.									

THIS DRAWING IS UNPUBLISHED. RELEASED FOR PUBLICATION
 © COPYRIGHT - TE Connectivity ALL RIGHTS RESERVED.

LOW HALOGEN

REVISIONS				
P	LTR	DESCRIPTION	DATE	APVD
-	-	SEE SHEET 1	-	-

Notes:
 6 0.0002 MIN GOLD PLATING
 (7.8u INCHES GOLD PLATING)



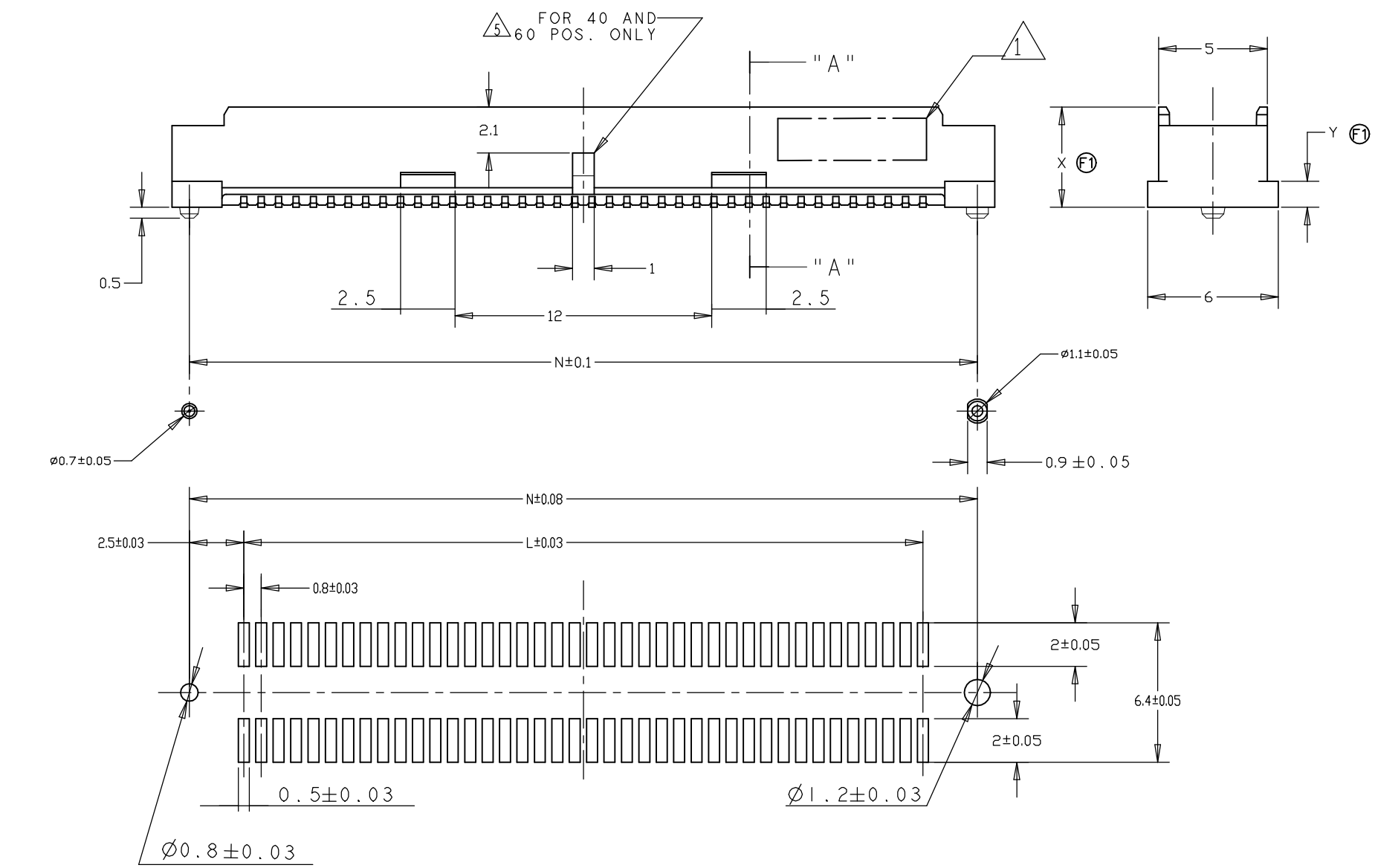
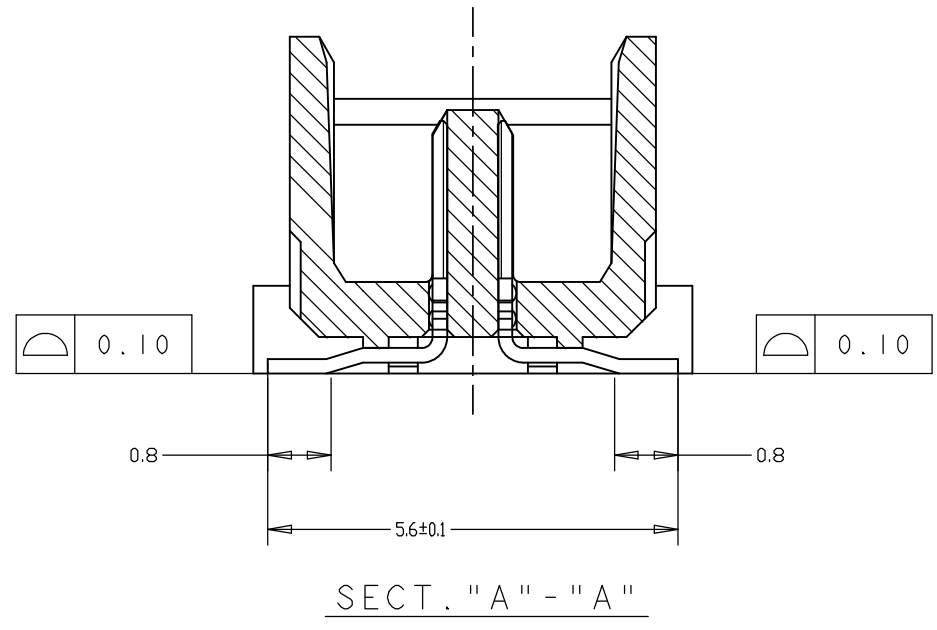
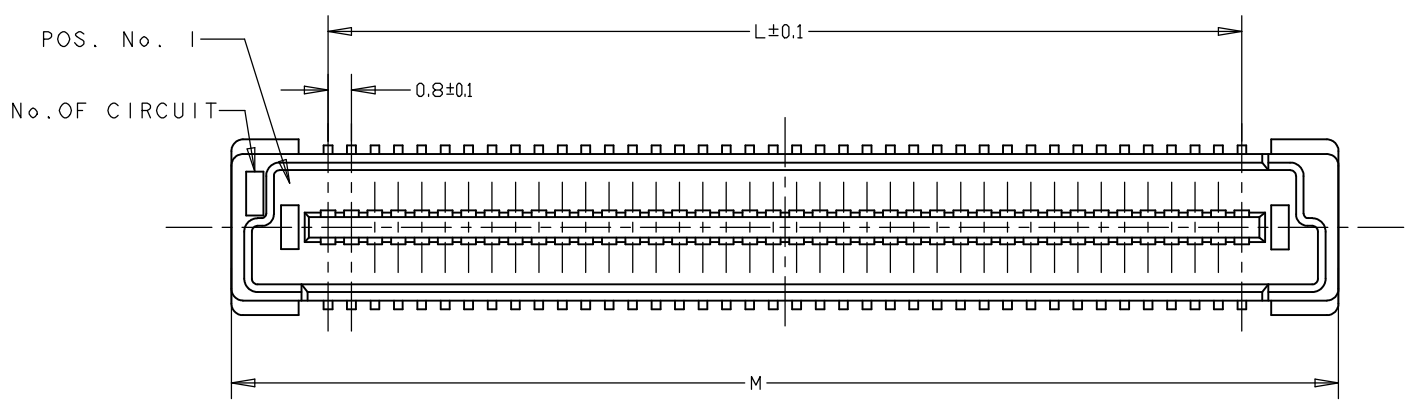
POLYIMIDE COVER

REMARKS	QTY	HEIGHT TYPE	J	H	G	F	E	D	C	B	A	POS	SALEABLE PART NO.
	650	5H	12	16	17	4.85	5.25	61.8	88	84.4	42.2	140	9-5177986-6

THIS DRAWING IS A CONTROLLED DOCUMENT.		DWN FLORENCE TAN 30AUG2004		
DIMENSIONS: mm		CHK ERIC TNG 30MAY2012		
TOLERANCES UNLESS OTHERWISE SPECIFIED:		APVD SF LEONG 30MAY2012	NAME	
0 PLC ± -		PRODUCT SPEC	PLUG ASSEMBLY, FH 0.8 ON TAPING (EMBOSS) 0.5 BOSS LENGTH	
1 PLC ± 0.2		APPLICATION SPEC	SIZE	CAGE CODE
2 PLC ± 0.15		WEIGHT	A2	00779
3 PLC ± 0.1		CUSTOMER DRAWING	C=5177986	
4 PLC ± -		SCALE	1:1	
ANGLES ± -		SHEET	2 of 3	
FINISH		REV	F1	

5177986

REVISIONS				
P	LTR	DESCRIPTION	DATE	APVD
-	-	SEE SHEET 1	-	-



RECOMMENDED P.C. BOARD LAYOUT

LOW HALOGEN

CONNECTOR ONLY

84.2	85.8	79.2	200
76.2	77.8	71.2	180
68.2	69.8	63.2	160
60.2	61.8	55.2	140
52.2	53.8	47.2	120
44.2	45.8	39.2	100
36.2	37.8	31.2	80
28.2	29.8	23.2	60
20.2	21.8	15.2	40
ϕ	N	M	L POS.

THIS DRAWING IS A CONTROLLED DOCUMENT.		DWN FLORENCE TAN 30AUG2004	TE Connectivity	
DIMENSIONS: mm		CHK ERIC TNG 30MAY2012	NAME	
TOLERANCES UNLESS OTHERWISE SPECIFIED:		APVD SF LEONG 30MAY2012	PLUG ASSEMBLY, FH 0.8 ON TAPING (EMBOSS) 0.5 BOSS LENGTH	
0 PLC ± - 1 PLC ± 0.2 2 PLC ± 0.15 3 PLC ± 0.1 4 PLC ± - ANGLES ± -		PRODUCT SPEC - APPLICATION SPEC -	SIZE A2	CAGE CODE 00779
MATERIAL -		FINISH -	DRAWING NO C=5177986	RESTRICTED TO -
		WEIGHT 0	SCALE 1:1	SHEET 3 of 3
		CUSTOMER DRAWING	REV F1	

5177986

Mouser Electronics

Authorized Distributor

Click to View Pricing, Inventory, Delivery & Lifecycle Information:

[TE Connectivity:](#)

[5-5177986-1](#)