

POWR-GARD® Fuse

TLS SERIES TELECOM POWER FUSE

170 V dc • Current-Limiting • 1–125 A



Description

Littelfuse TLS series fuses are designed specifically for the protection of telecommunications equipment. TLS fuses have been engineered to operate up to 170 V dc to provide current-limiting short-circuit protection for cables and components found in the dc power distribution circuits of telecommunications systems. The compact design and multiple mounting configurations of the TLS series allow it to be used in a variety of applications.

Features

- 170 V dc rating
- Current-limiting
- 1–125 amperes rating
- Multiple mounting configurations — cartridge, vertical, leaded, bolt-in, or solder type. See dimensions on the following two pages for mounting style details.
- RoHS Compliant

Recommended Fuse Holders

- LFTD series disconnect switches
 - LFT30060 for TLS series cartridge style fuse
- Contact factory for more information.

Web Resources

For additional information, visit: Littelfuse.com/tls

Specifications

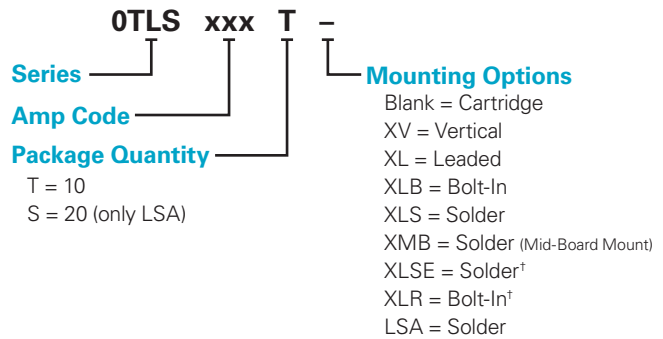
Voltage Rating	170 V dc
Ampere Range	1–125 amperes
Interrupting Rating	100 kA
Approvals	UL Recognized (File: E71611)
Construction	Body: glass melamine Caps: silver-plated brass
Environmental	RoHS Compliant, lead (Pb) free

Ordering Information

AMPERE RATINGS				
1	6	25	50	90
2	10	30	60	100
3	15	35	70	110*
5	20	40	80	125*

*Available in standard cartridge, LSE solder, and LR bolt-in.

Part Numbering System



SERIES	AMPERE	MOUNTING METHOD	MOUNTING SUFFIX	CATALOG NUMBER	ORDERING NUMBER	FUSE LABEL ID
TLS	6	Cartridge	-	TLS006	0TLS006.T	TLS 6A
TLS	15	Vertical	V	TLS015V	0TLS015.TXV	TLS 15A-V
TLS	35	Leaded	L	TLS035L	0TLS035.TXL	TLS 35A-L
TLS	50	Bolt-In	LB	TLS050LB	0TLS050.TXLB	TLS 50A-LB
TLS	80	Solder	LS	TLS080LS	0TLS080.TXLS	TLS 80A-LS
TLS	100	Solder	MB	TLS100MB	0TLS100.TXMB	TLS 100A-MB
TLS	125	Solder	LSE	TLS125LSE	0TLS125.TXLSE	TLS 125A-LSE
TLS	125	Bolt-In	LR	TLS125LR	0TLS125.TXLR	TLS 125A-LR
TLS	30	Solder	LSA	TLS030LSA	0TLS030.SLSA	TLS 30A-LSA

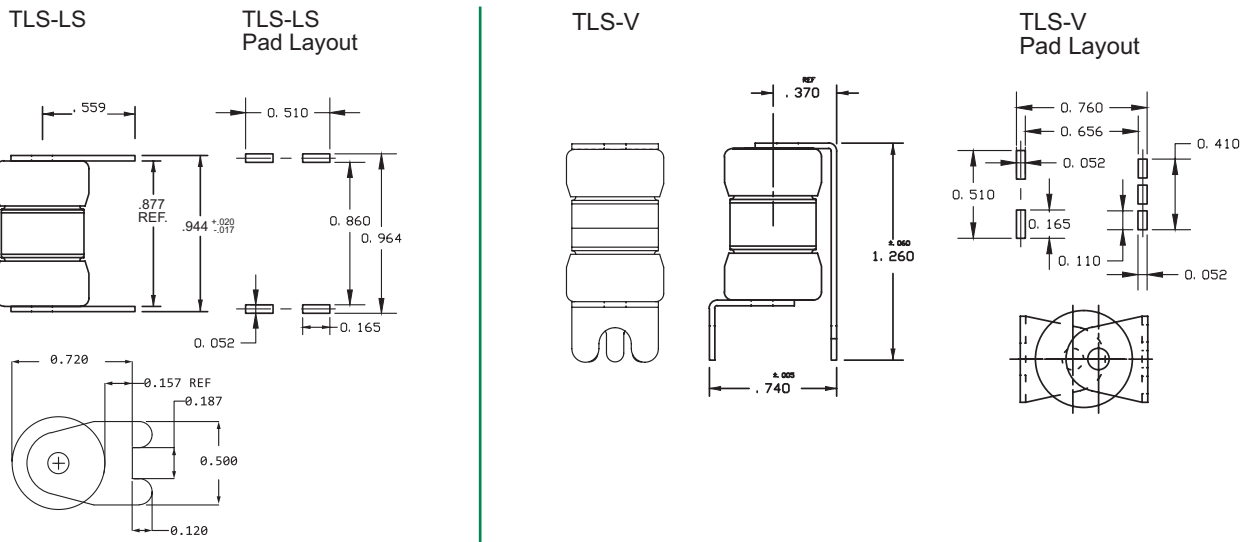
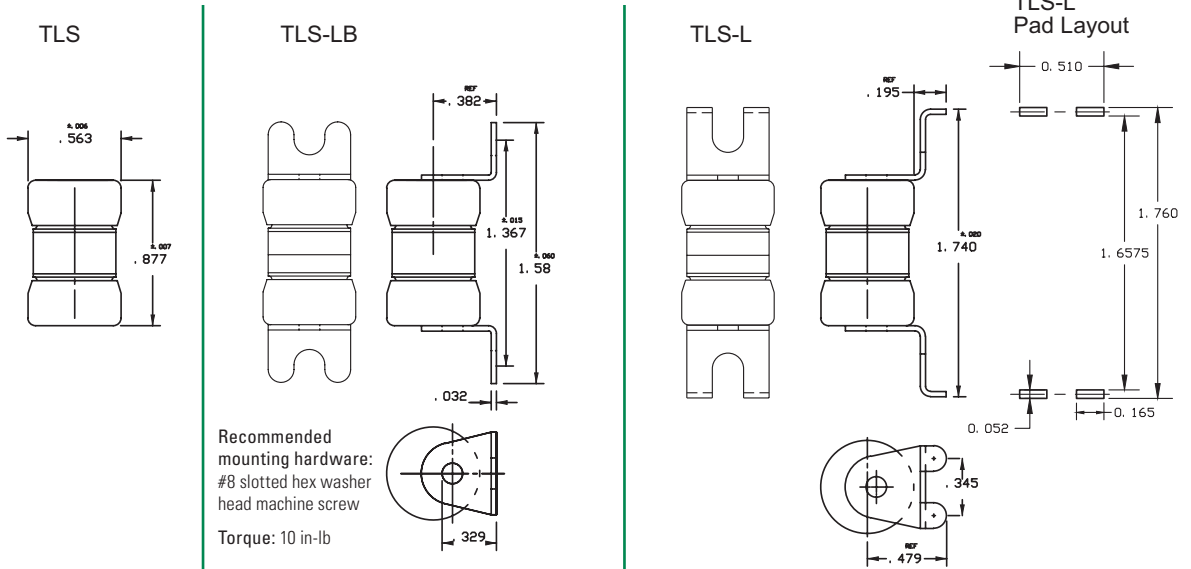
[†]Option is available for 35 to 125 amperage only

POWR-GARD® Fuse

TLS SERIES TELECOM POWER FUSE

Dimensions

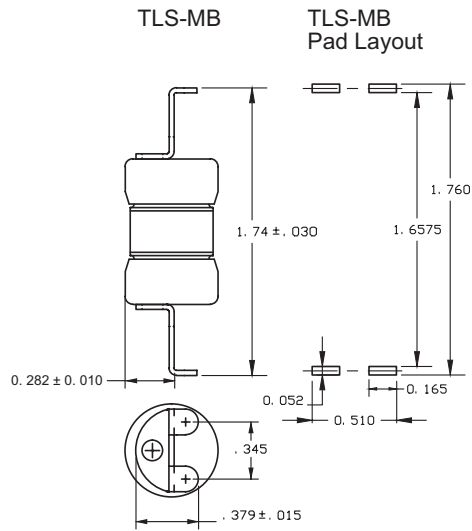
Inches



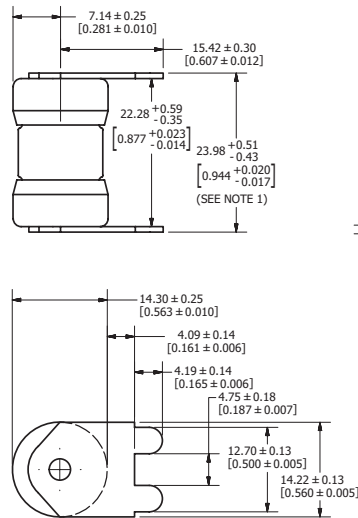
POWR-GARD® Fuse

TLS SERIES TELECOM POWER FUSE

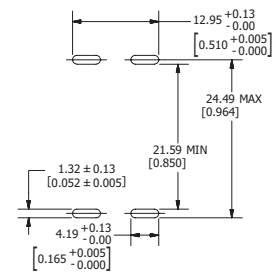
Dimensions Inches



TLS-LSE
Dimensions are mm (in)

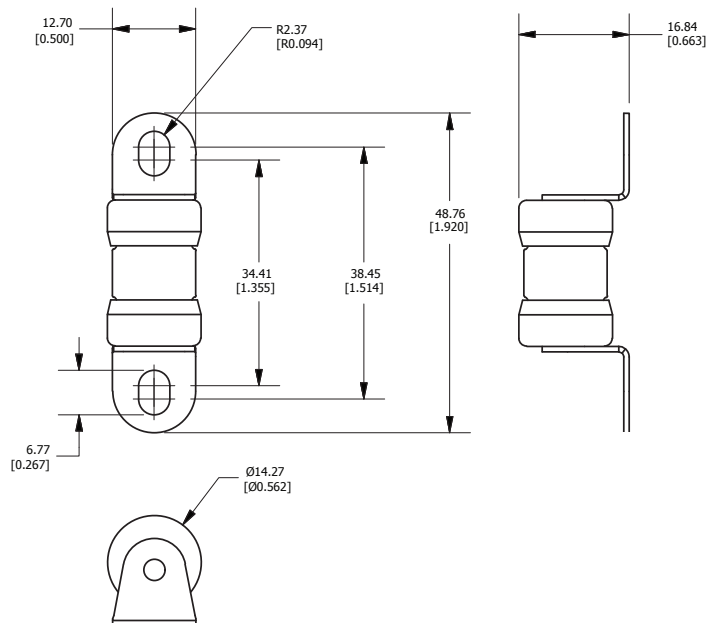


TLS-LSE
Pad Layout

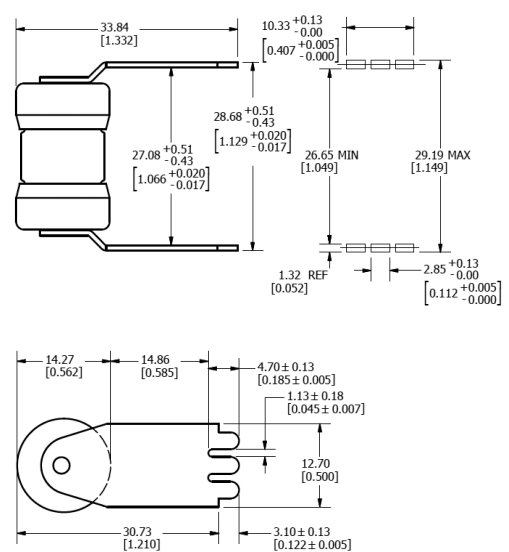


Note 1: Measurement taken at end of terminals

TLS-LR
Dimensions are mm (in)



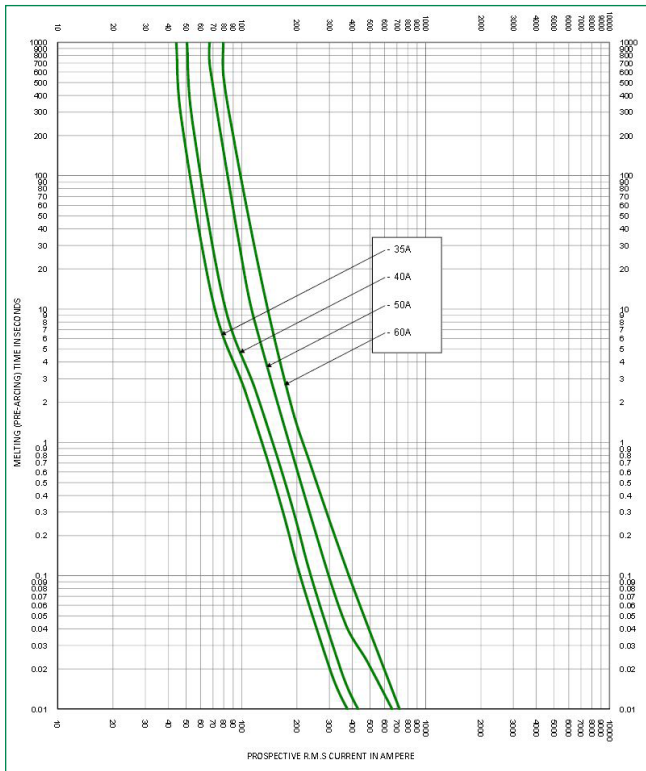
TLS-LSA
Dimensions are mm (in)



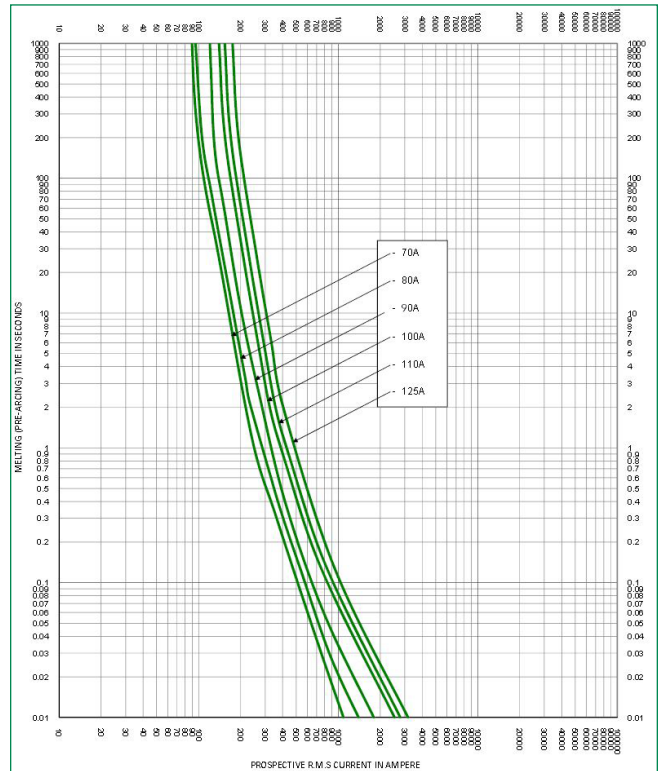
POWR-GARD® Fuse

TLS SERIES TELECOM POWER FUSE

TLS Time-Current Curve 35–60 A



TLS Time-Current Curve 70–125 A



Disclaimer Notice - Information furnished is believed to be accurate and reliable. However, users should independently evaluate the suitability of and test each product selected for their own applications. Littelfuse products are not designed for, and may not be used in, all applications. Read complete Disclaimer Notice at www.littelfuse.com/product-disclaimer.