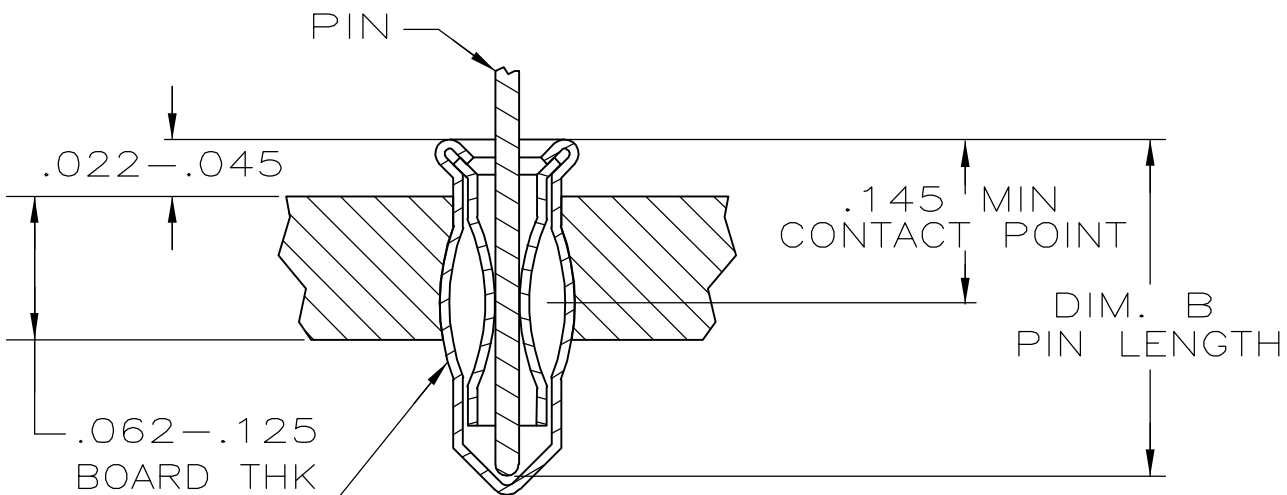
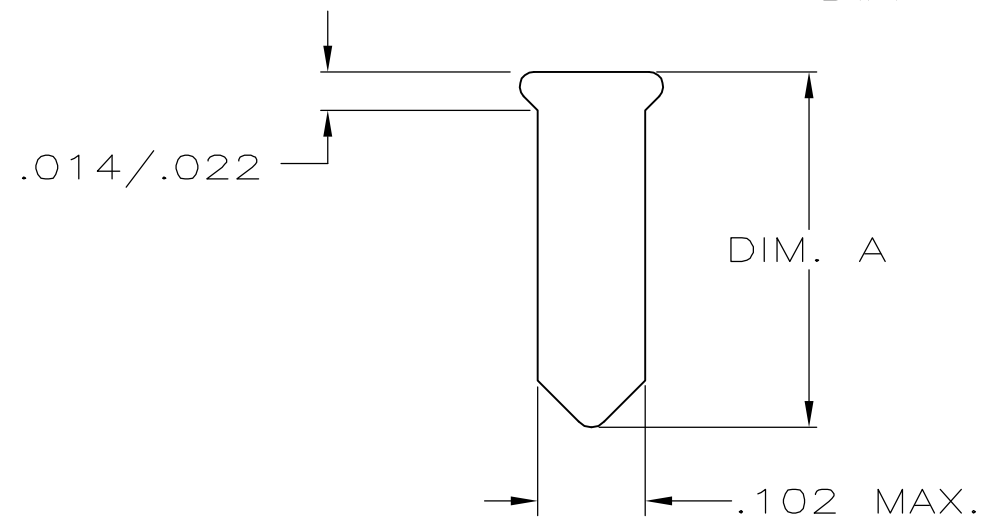
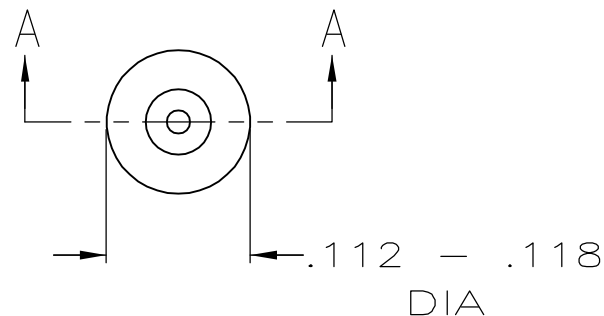


THIS DRAWING IS UNPUBLISHED. RELEASED FOR PUBLICATION
 © COPYRIGHT - BY TYCO ELECTRONICS CORPORATION. ALL RIGHTS RESERVED.

LOC	DIST	REVISIONS					
AG	53	P	LTR	DESCRIPTION	DATE	DWN	APVD
			A	REVISED PER ECO-06-001742	31JAN06	JDP	JGH



MSS INSERTION MACHINE CAPABLE OF OVALIZING SOCKET FOR RETENTION IN PC BOARD WITH .104±.003 DIA HOLE PRIOR TO SOLDERING OPERATION

- MATERIAL:
EYELET: COPPER PER ASTM B 152
SPRING: BERYLLIUM COPPER PER ASTM B 194
- TIN PLATE PER ASTM B 545 .000100 MIN THICK.
- GOLD PLATE PER ASTM B 488 .000030 MIN THICK OVER NICKEL PLATE PER QQ-N-2900N CONTACT AREA.
- TO INSURE 1/2 OZ MIN RETENTION DO NOT EXCEED .004 DIFFERENCE IN PIN DIA WHEN CHANGING TO A SMALLER DIA PIN.
- HOLE SIZE FOR HAND INSERTION .105±.002.

.275 MAX	.308±.008	.042.649	GOLD Δ_3	TIN Δ_2	5645980-2
			TIN Δ_2	TIN Δ_2	5645980-1
DIM. B	DIM. A	DIA Δ_4	SPRING	EYELET	PART NO
PIN			FINISH		

THIS DRAWING IS A CONTROLLED DOCUMENT.		DWN	19APR2005		tyco Electronics	Tyco Electronics Corporation	
		L. VARELA - DOCK5	19APR2005			Harrisburg, PA 17105-3608	
DIMENSIONS: INCHES		CHK	19APR2005		NAME		
		J. HAVENER	19APR2005		MINIATURE SPRING SOCKET ASSEMBLY		
TOLERANCES UNLESS OTHERWISE SPECIFIED:		APVD	19APR2005		PRODUCT SPEC		
0 PLC ± -		J. HAVENER	19APR2005		108-14008		
1 PLC ± -				APPLICATION SPEC			
2 PLC ± -				114-13152			
3 PLC ± -				SIZE		CAGE CODE	DRAWING NO
4 PLC ± -				A3		00779	C=5645980
ANGLES ± -				WEIGHT		RESTRICTED TO	
MATERIAL				-		-	
NOTE 1				CUSTOMER DRAWING		SCALE	SHEET
						NTS	1 OF 1
							REV
							A

SECTION A-A

Mouser Electronics

Authorized Distributor

Click to View Pricing, Inventory, Delivery & Lifecycle Information:

[TE Connectivity:](#)

[5645980-2](#)