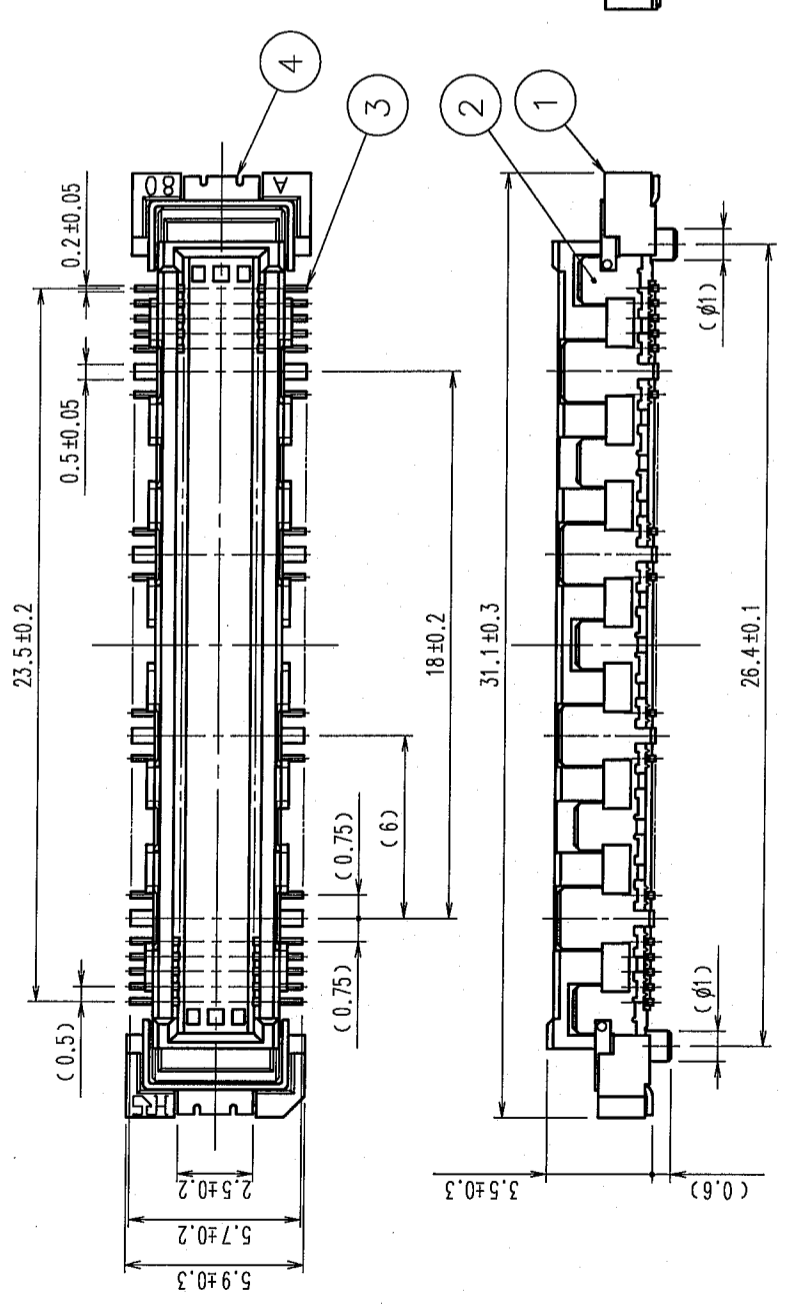
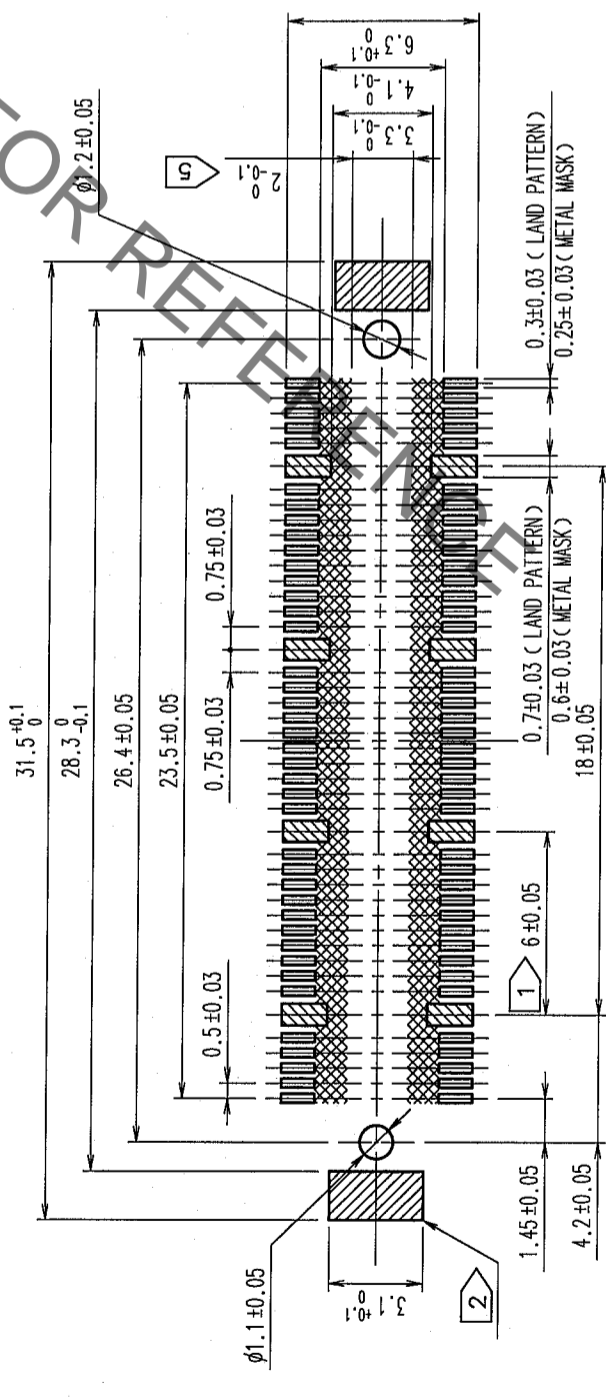


| COUNT | DESCRIPTION OF REVISIONS | BY | CHKD | DATE | COUNT | DESCRIPTION OF REVISIONS | BY | CHKD | DATE |
|-------|--------------------------|----|------|------|-------|--------------------------|----|------|------|
| | | | | | | | | | |
| | | | | | | | | | |
| | | | | | | | | | |

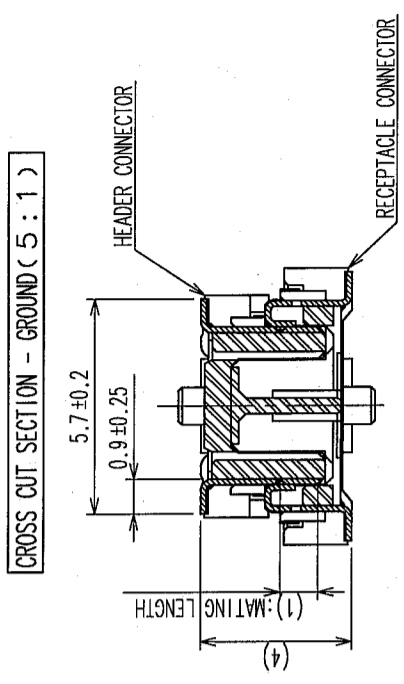
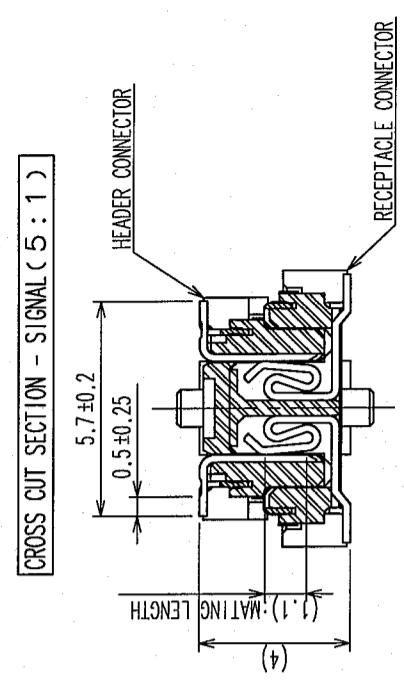


RECOMMENDED LAND PATTERN DIMENSION OF PCB



- NOTES
- 1 HATCHED PARTS: GROUND CIRCUIT.
 - 2 HATCHED PARTS: GROUND CIRCUIT.
 - 3 SMT LEAD-COPLANARITY: 0.1 MAX.
 - 4 THIS PRODUCT HAS NO POLARITY TO PATTERN FOR MOUNTING.
 - 5 MAKE SURE WIDTH OF PATTERN IS WITHIN THAT OF LAND, OR LEAD MAY TOUCH PATTERN. (THIS APPLIES TO HATCHED AREA.)
 - 6 EMBOSS CARRIER TAPE PACKAGE IS APPLIED ON THIS PRODUCT. PLEASE REFER TO THE SHEET 2/2 FOR THE DETAILS.
 - 7 THE DIMENSIONS IN PARENTHESES ARE FOR REFERENCE.

HRS DRAWING FOR REFERENCE

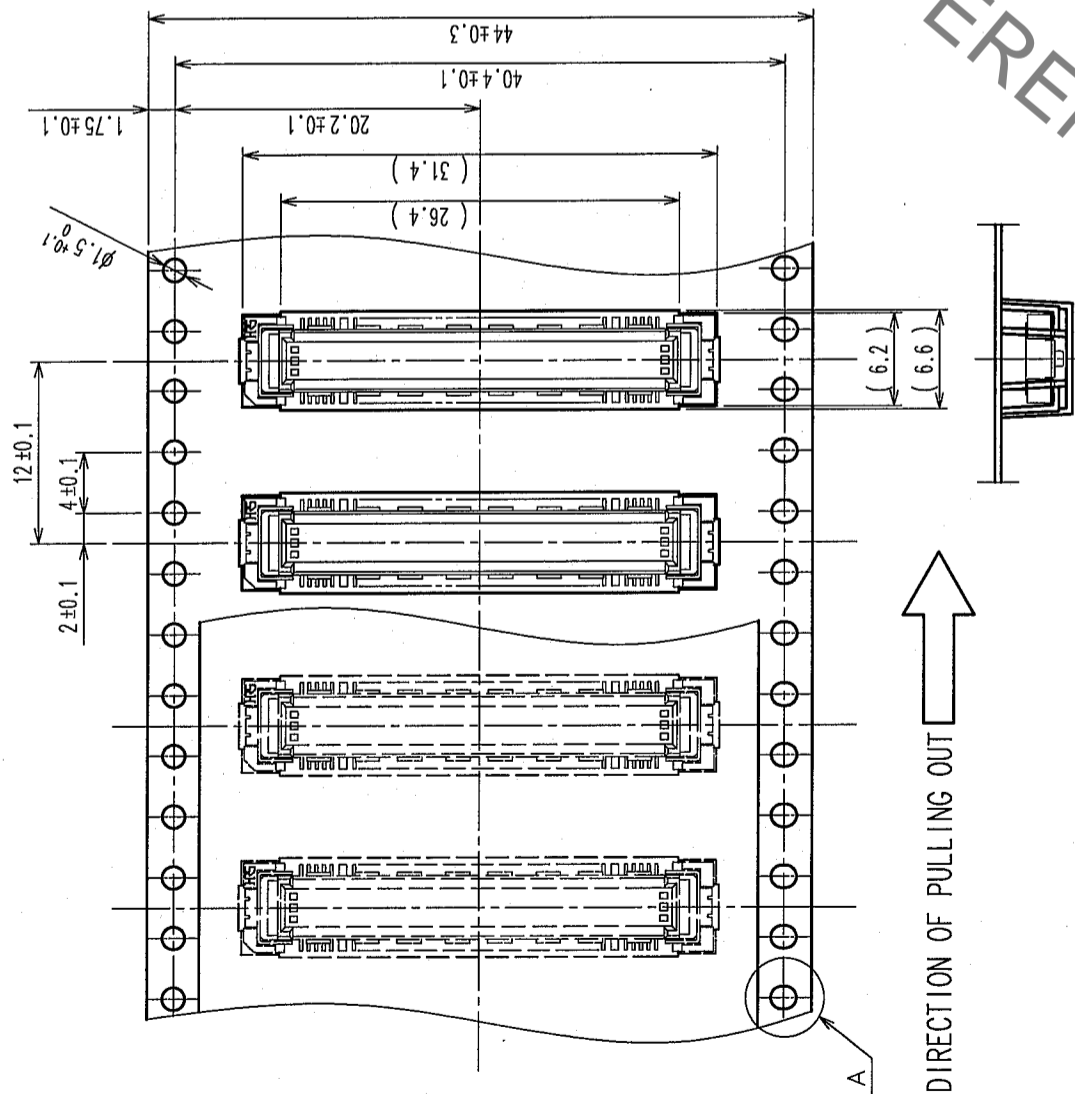
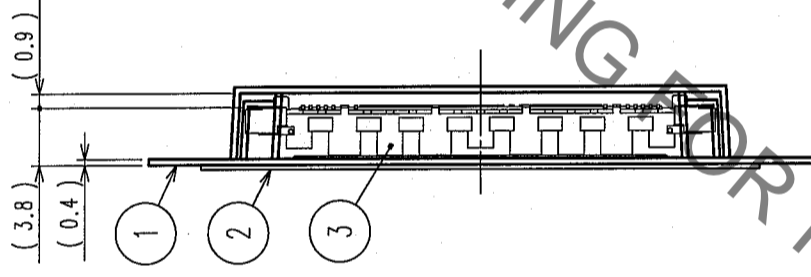
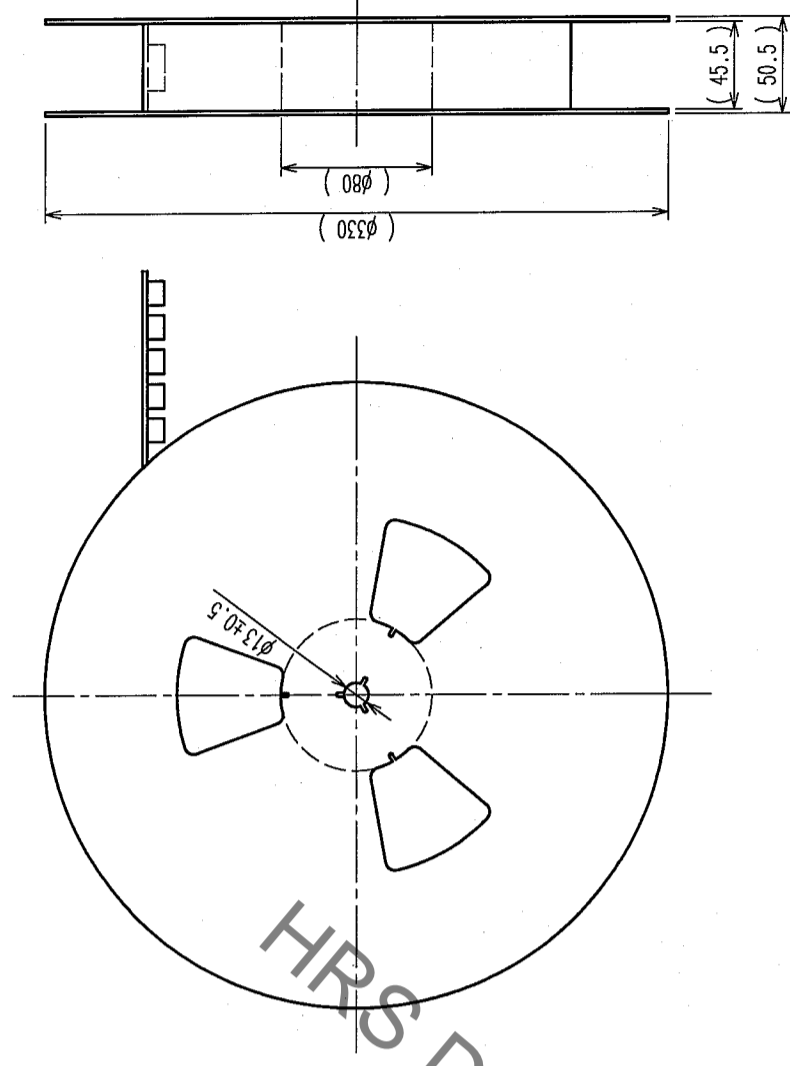


| NO. | PHOSPHOR BRONZE | TIN-PLATING | TIN-PLATING |
|----------|--------------------|-----------------|--|
| 2 | PHOSPHOR BRONZE | BEIGE | UL94V-0 |
| 1 | LCP | BEIGE | UL94V-0 |
| NO. | MATERIAL | FINISH, REMARKS | |
| 4 | PHOSPHOR BRONZE | TIN-PLATING | CONTACT AREA : GOLD 0.1μm min. LEAD AREA : TIN 1μm min. |
| 3 | PHOSPHOR BRONZE | TIN-PLATING | UNDER PLATING : NICKEL 1μm min. |
| NO. | MATERIAL | FINISH, REMARKS | |
| NO. | DESIGNED | CHECKED | APPROVED |
| 05-09-02 | K. Sato | K. Ogawa | H. Kawa |
| 05-09-02 | 05-09-02 | 05-09-02 | 05-09-02 |
| CL | CODE NO. (OLD) | | |
| | DRAWING NO. | | |
| | EDC3-151944-21 | | |
| | PART NO. | | |
| | FX10A-80P/8-SV(91) | | |
| | SCALE | | |
| | 4 : 1 | | |
| | UNITS | | |
| | mm | | |
| | CODE NO. | | |
| | CL570-0001-5-91 | | |
| | 1/2 | | |

| | |
|-----|--|
| TO | |
| PCK | |
| | |
| | |

| COUNT | DESCRIPTION OF REVISIONS | BY | CHKD | DATE | COUNT | DESCRIPTION OF REVISIONS | BY | CHKD | DATE |
|-------|--------------------------|----|------|------|-------|--------------------------|----|------|------|
| △ | | | | | △ | | | | |
| △ | | | | | △ | | | | |
| △ | | | | | △ | | | | |

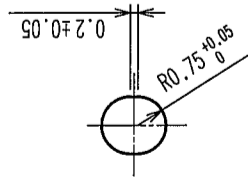
REELED DIMENSION(Free)



THE DIRECTION OF PULLING OUT

- NOTES
- 1 REEL: 1000 CONNECTORS.
 - 2 MINIMUM 10 COMPARTMENTS FROM BOTH REEL ENDS REMAIN EMPTY.
 - 3 THIS PRODUCT HAS NO POLARITY TO TAPE AND REEL PACKAGING.
 - 4 THE DIMENSIONS IN PARENTHESES ARE FOR REFERENCE.

A(5:1)



| POLYESTER | | TOP COVER TAPE | |
|----------------|-----------------------------|-----------------------|--------------|
| 1 | POLYSTYRENE | EMBOSSED CARRIER TAPE | 3 |
| NO. | MATERIAL | FINISH, REMARKS | NO. MATERIAL |
| CODE NO. (OLD) | DRAWING FOR PACKING | | DESIGNED |
| CL | DRAWING NO. EDC3-151944-21 | | CHECKED |
| | SCALE 2:1 | | APPROVED |
| | UNITS mm | | RELEASED |
| | DRAWING NO. EDC3-151944-21 | | |
| | PART NO. FX10A-80P/8-SV(91) | | |
| | CODE NO. CL570-0001-5-91 | | |

| | |
|-----|--|
| TO | |
| PCK | |