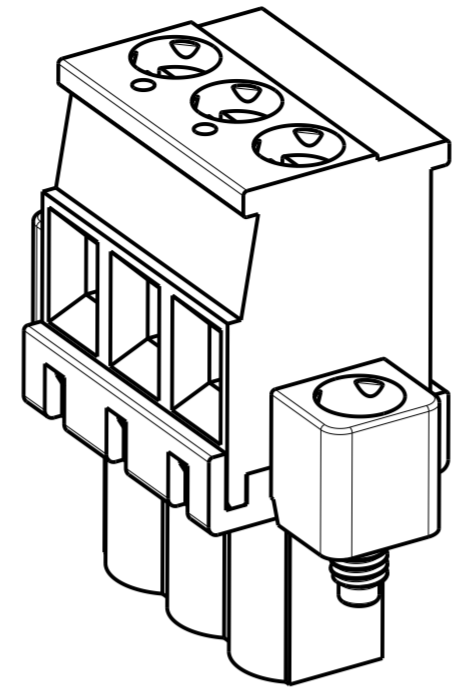
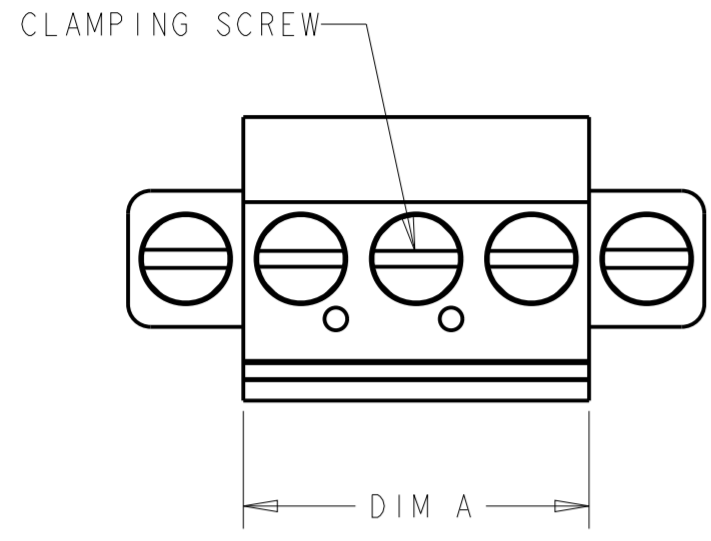


THIS DRAWING IS UNPUBLISHED. RELEASED FOR PUBLICATION 20
 © COPYRIGHT 20 BY - ALL RIGHTS RESERVED.

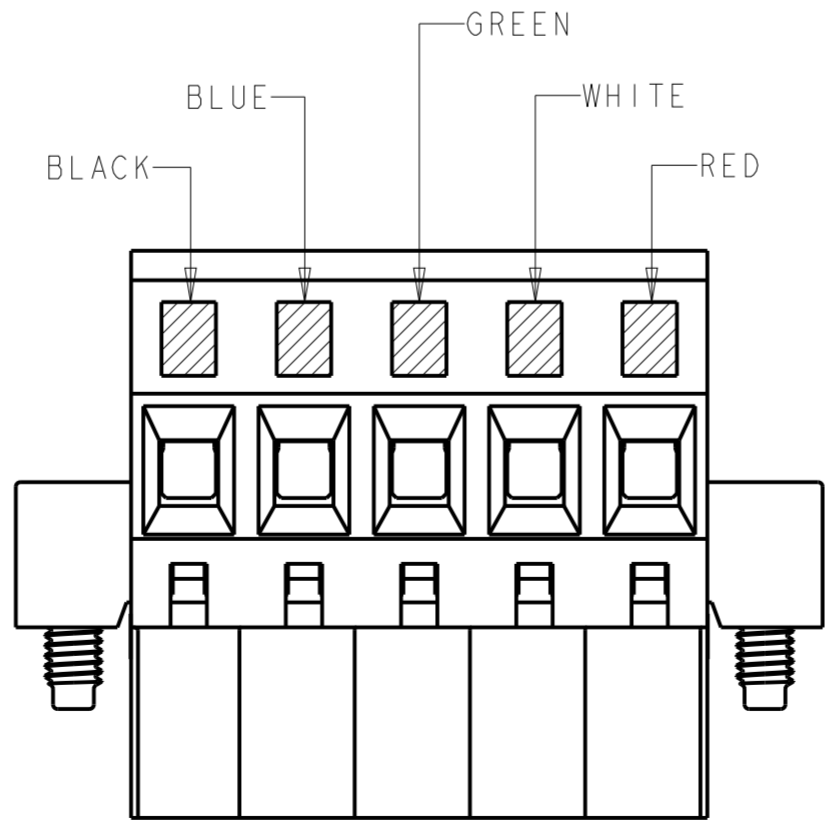
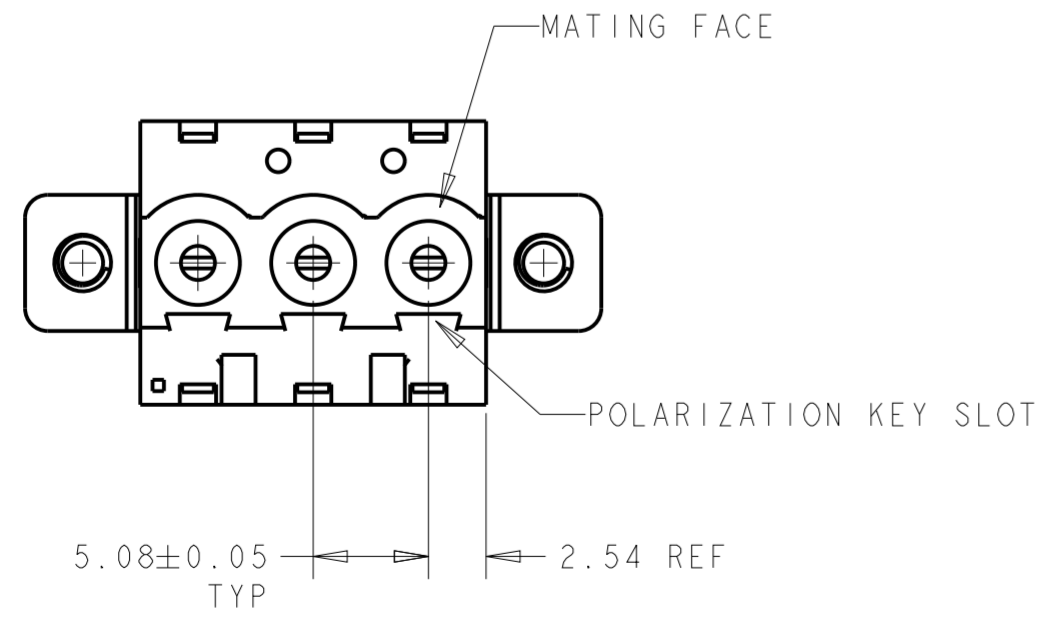
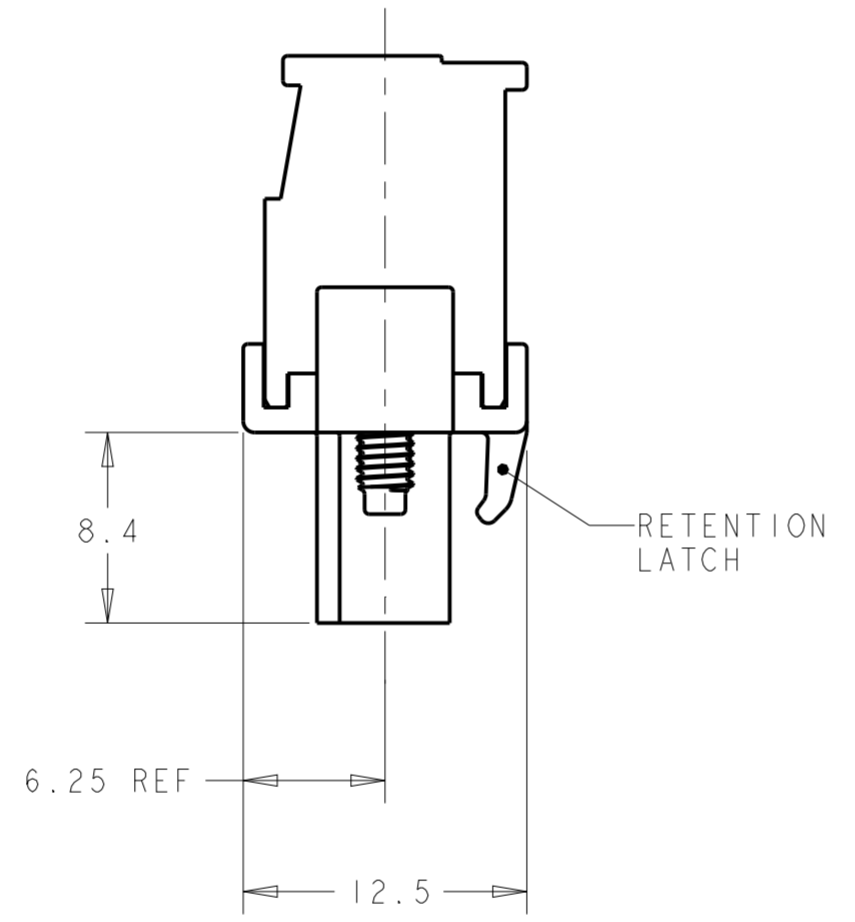
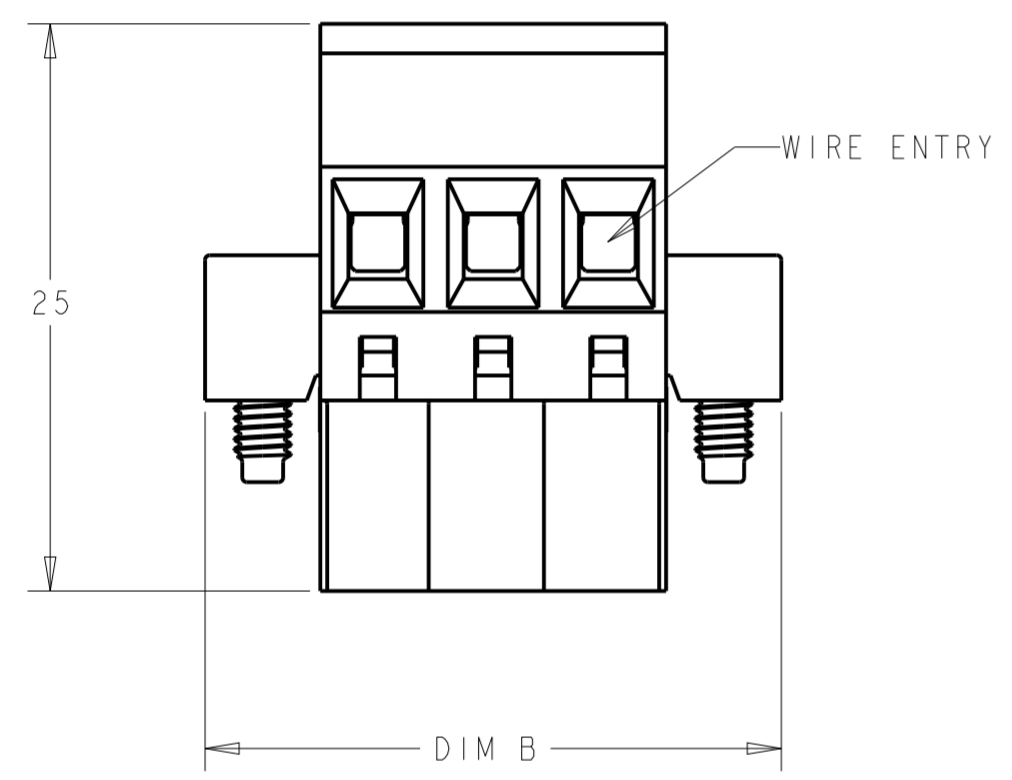
REVISIONS					
P	LTR	DESCRIPTION	DATE	DWN	APVD
	C2	REVISED PER ECO-14-014709	29SEP2014	NK	MM



796861-3 AS SHOWN

1 MATERIALS AND FINISH:
 HOUSING: PA 6-6, UL 94-V0.
 CLAMP: BRASS, NICKEL PLATED.
 CONTACT SPRING: PHOSPHOR BRONZE, PLATING: SEE TABLE.
 CLAMPING SCREW: M3, BRASS, NICKEL PLATED.

- 2 WIRE SIZE RANGE: 12 - 30 AWG
- 3 LABEL APPLIED OR INK MARKING AS SHOWN.
- 4 PRELIMINARY - NOT RELEASED FOR PRODUCTION
- 5 OBSOLETE



DETAIL F

4	BLACK	TIN	-	-	71.12	60.96	12	6-796861-2
	BLACK	TIN	-	-	50.80	40.64	8	5-796861-8
	BLACK	TIN	-	-	40.64	30.48	6	5-796861-6
	BLACK	TIN	-	-	35.56	25.40	5	5-796861-5
	BLACK	TIN	-	-	30.48	20.32	4	5-796861-4
5	GREEN	0.2µm GOLD	3	DETAIL F	35.56	25.40	5	2-796861-4
	GREEN	TIN	-	-	127.00	116.84	23	2-796861-3
	GREEN	TIN	-	-	121.92	111.76	22	2-796861-2
	GREEN	TIN	-	-	116.84	106.68	21	2-796861-1
	GREEN	TIN	-	-	111.76	101.60	20	2-796861-0
	GREEN	TIN	-	-	106.68	96.52	19	1-796861-9
	GREEN	TIN	-	-	101.60	91.44	18	1-796861-8
	GREEN	TIN	-	-	96.52	86.36	17	1-796861-7
	GREEN	TIN	-	-	91.44	81.28	16	1-796861-6
	GREEN	TIN	-	-	86.36	76.20	15	1-796861-5
	GREEN	TIN	-	-	81.28	71.12	14	1-796861-4
	GREEN	TIN	-	-	76.20	66.04	13	1-796861-3
	GREEN	TIN	-	-	71.12	60.96	12	1-796861-2
	GREEN	TIN	-	-	66.04	55.88	11	1-796861-1
	GREEN	TIN	-	-	60.96	50.80	10	1-796861-0
	GREEN	TIN	-	-	55.88	45.72	9	796861-9
	GREEN	TIN	-	-	50.80	40.64	8	796861-8
GREEN	TIN	-	-	45.72	35.56	7	796861-7	
GREEN	TIN	-	-	40.64	30.48	6	796861-6	
GREEN	TIN	-	-	35.56	25.40	5	796861-5	
GREEN	TIN	-	-	30.48	20.32	4	796861-4	
GREEN	TIN	-	-	25.40	15.24	3	796861-3	
GREEN	TIN	-	-	20.32	10.16	2	796861-2	
COLOR	TERMINAL PLATING	MARKING	SPECIAL	DIM B	DIM A	POSN	PART NUMBER	

THIS DRAWING IS A CONTROLLED DOCUMENT.

DWN: J. STAUFFER 07AUG2002
 CHK: C. RICHARD 07AUG2002
 APVD: C. RICHARD 07AUG2002

TE Connectivity

NAME: TERMINAL BLOCK VERTICAL PLUG LEFT HAND, W/ LOCKING SCREW 5.08mm PITCH

SIZE: A2 CAGE CODE: 00779 DRAWING NO: C-796861

SCALE: 3:1 SHEET: 1 OF 1 REV: C2

RESTRICTED TO

Mouser Electronics

Authorized Distributor

Click to View Pricing, Inventory, Delivery & Lifecycle Information:

[TE Connectivity:](#)

[796861-5](#)