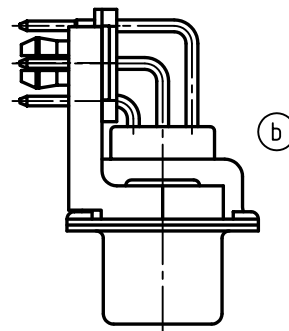
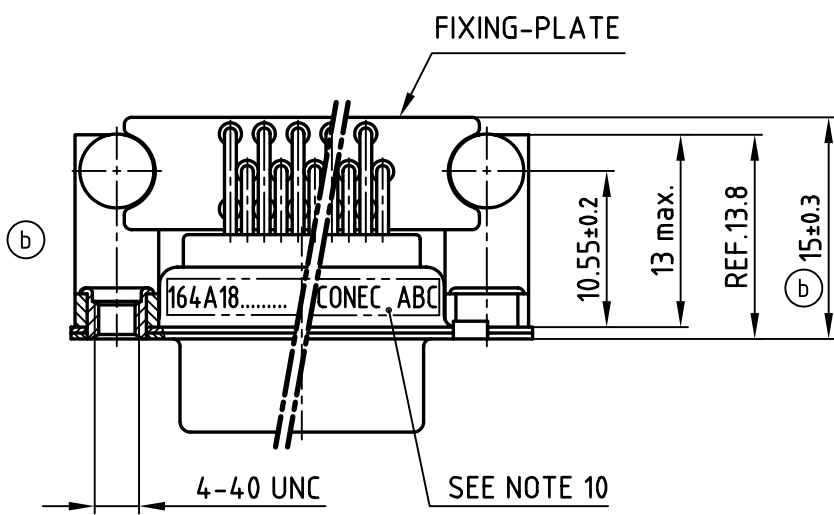
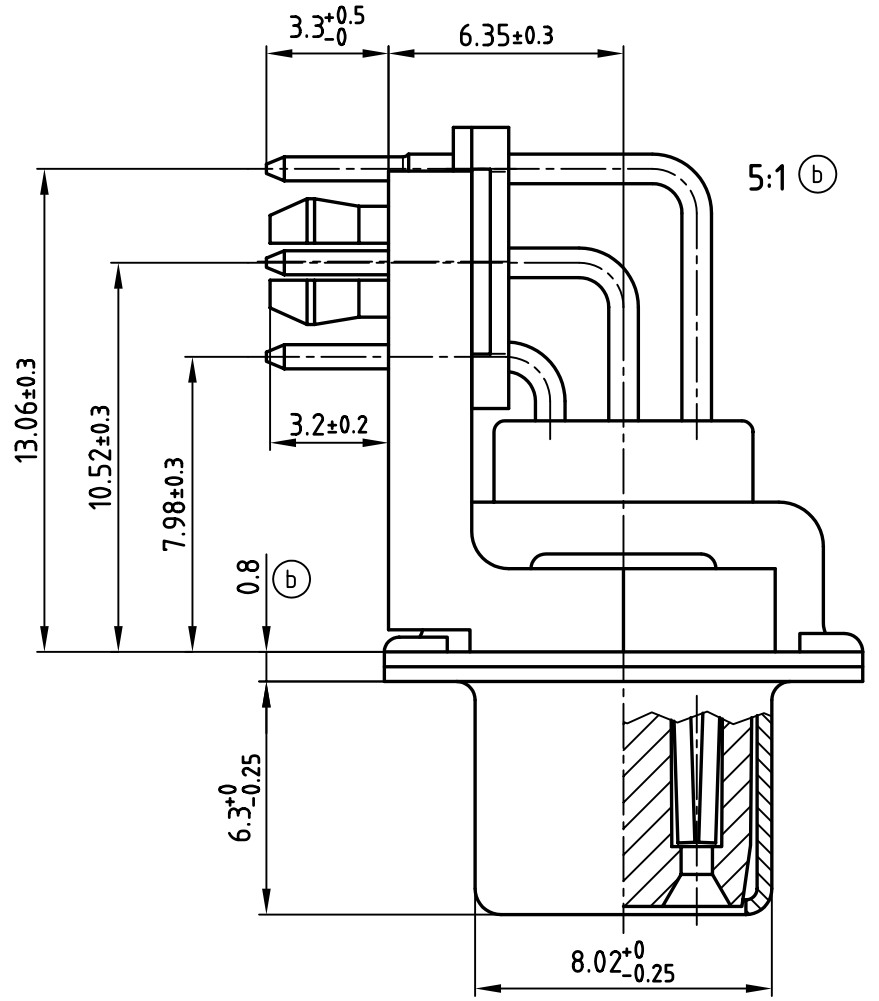
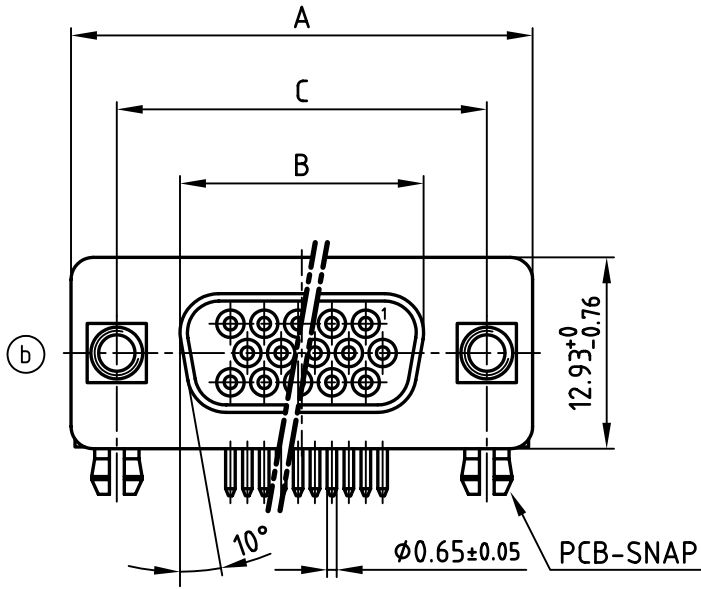


used for: D-SUB HD

POS.	A -0.76	B -0.25	C	Part NO.
26	39.52	24.79	33.30 ^{+0.15} / _{-0.1}	164A18189X
44	53.42	38.50	47.04 ±0.13	164A18199X
62	69.70	54.96	63.50 ±0.13	164A18209X



NOTES:

- METALSHELLS: STEEL; min. 315µm TIN over 40-80µm NICKEL
- INSULATORS: PBT GF UL 94 V-0; BLACK
- CONTACTS: COPPER ALLOY
PLATING: 8µm HARD GOLD over min. 50µm NICKEL
- METAL BRACKETS: ZINC DIE CAST; 300µm COPPER/40-120µm NICKEL/120-200µm TIN
- THREADED INSERTS: COPPER ALLOY; min. 200µm TIN over 80µm NICKEL
- PCB-SNAPS: COPPER ALLOY; min. 200µm TIN over 80µm NICKEL
PCB-HOLE: $\phi 3.1 \pm 0.1$; PCB THICKNESS 1.6mm
- FIXING-PLATE: PBT GF UL 94 V-0; BLACK
- P.C.B. HOLE DRILLINGS ON SHEET 2
- MAXIMUM TORQUE VALUE FOR THREAD: 6 in.LB
- CONNECTOR IS PART MARKED: PART-NO. CONEC ABC



APPROVAL # FREIGABE # DEBLOCAGE # AUTORIZACION # APPROVAL	
CUSTOMER APPROVAL DATE:	
NAME:	TITLE:
COMPANY NAME:	
APPROVAL # FREIGABE # DEBLOCAGE # AUTORIZACION # APPROVAL	

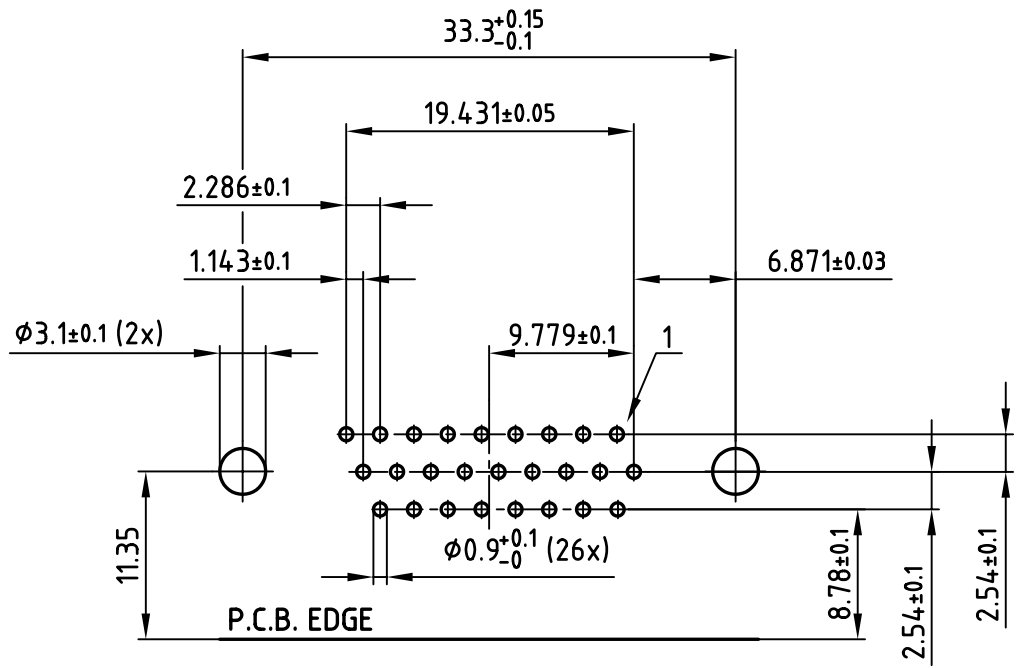
THIS DRAWING MAY NOT BE COPIED OR REPRODUCED IN ANY WAY, AND MAY NOT BE PASSED ON TO A THIRD PARTY WITHOUT WRITTEN PERMISSION.
OWNERSHIP AND COPYRIGHT OF CONEC GmbH
DO NOT ALTER CAD DRAWING BY HAND

rev.	description	date	name
2 x c	Ä 3543	14.01.2010	Lehmen
8 x b	Ä 3524	10.12.2009	Lehmen
a	Origin		

tolerance	dim. in mm
2001	date
drawn	22.11.
appd.	22.11.
norm	DIN 41652
d-old	

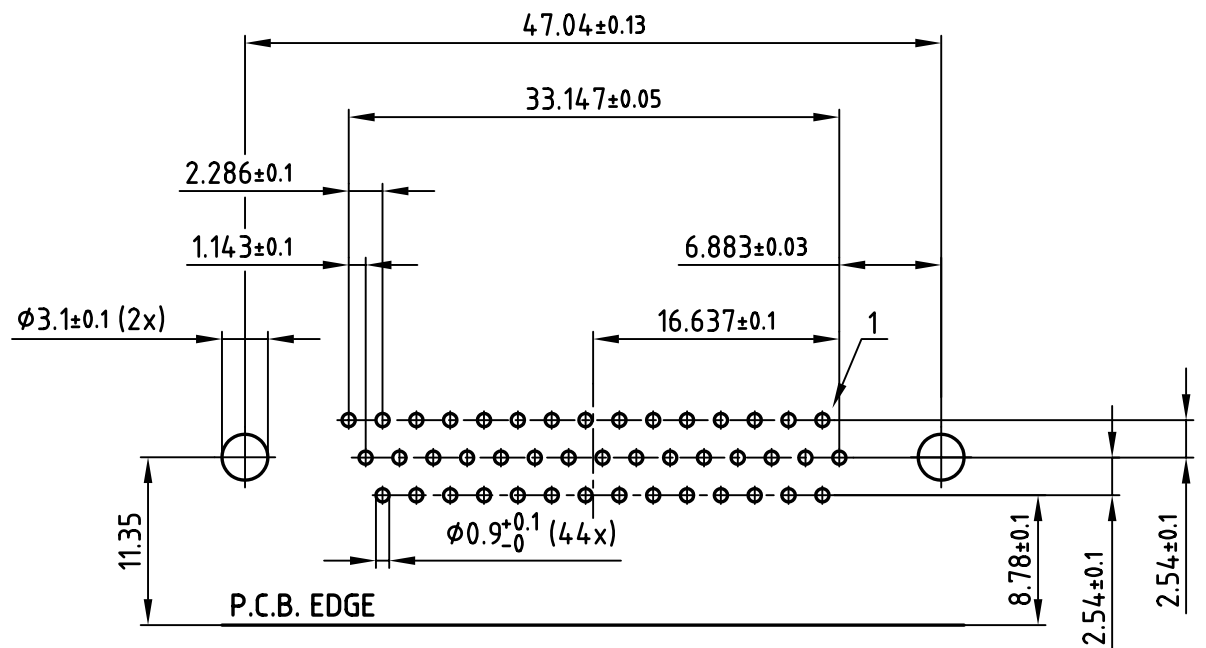
scale:	2:1 (5:1)
material:	SEE NOTES
title:	
D-SUB HD FEMALE 90°	
Ⓢ 26-62pos. 0.350inch	
thread insert, metal bracket, fixing-plate, snap	
dwg no:	AutoCAD 2006
16K1A375A	
part no:	SEE TABLE

used for: D-SUB HD

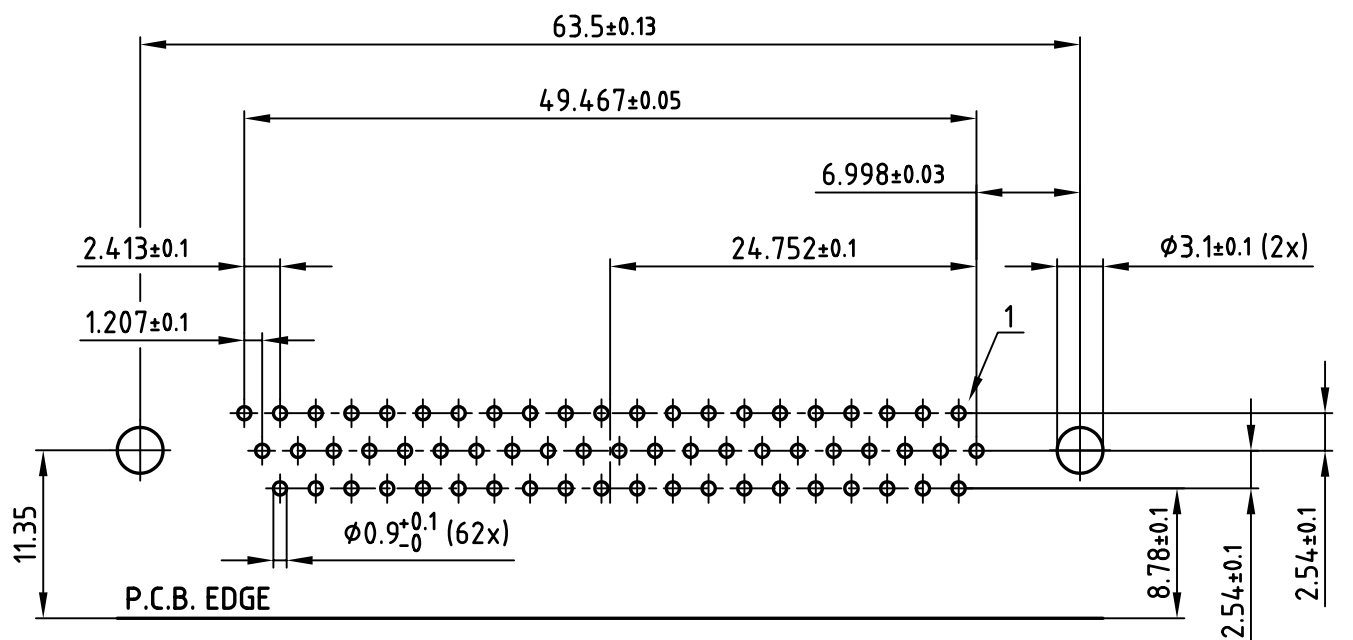


26pos.

P.C.B. HOLE DRILLINGS
(P.C.B. TOP SIDE)



44pos.



62pos.

APPROVAL # FREIGABE # DEBLOCAGE # AUTORIZACION # APPROVAL

CUSTOMER APPROVAL DATE:

NAME: TITLE:

COMPANY NAME:

APPROVAL # FREIGABE # DEBLOCAGE # AUTORIZACION # APPROVAL

THIS DRAWING MAY NOT BE COPIED OR REPRODUCED IN ANY WAY, AND MAY NOT BE PASSED ON TO A THIRD PARTY WITHOUT WRITTEN PERMISSION. OWNERSHIP AND COPYRIGHT OF CONEC GmbH DO NOT ALTER CAD DRAWING BY HAND

rev.	description	date	name
1 x c	Ä 3543	14.01.2010	Lehmen
a	Origin		

tolerance		dim. in mm	
2009	date	name	
drawn	10.12.	Lehmenkühler	
appd.	10.12.	Fischer	
norm			
d-old			

scale: 2:1

material: SEE SHEET 1

title: P.C.B. HOLE DRILLINGS
D-SUB HD FEMALE 90° 26-62pos. 0.350inch
thread insert, metal bracket, fixing-plate, snap

dwg no: AutoCAD 2006 DIN-A
16K1A375A 3
sh:2/2

part no: SEE SHEET 1



Mouser Electronics

Authorized Distributor

Click to View Pricing, Inventory, Delivery & Lifecycle Information:

CONEC:

[164A18179X](#) [164A18189X](#) [164A18199X](#) [301A10159X](#) [DLH1XS8AK42X](#) [164C03919A](#) [164A18209X](#) [301A10879X](#)
[301A10139X](#)