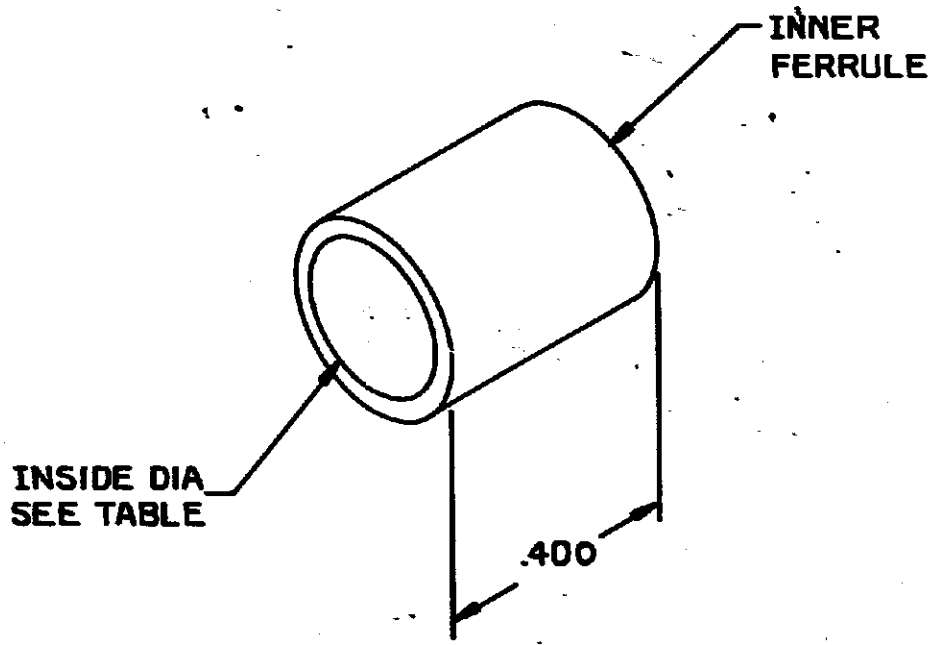


DRAWING MADE IN THIRD ANGLE PROJECTION

THIS DRAWING IS UNPUBLISHED. RELEASED FOR PUBLICATION . 19  
 © COPYRIGHT 19 BY AMP INCORPORATED, HARRISBURG, PA. ALL INTERNATIONAL RIGHTS RESERVED. AMP PRODUCTS MAY BE COVERED BY U.S. AND FOREIGN PATENTS AND/OR PATENTS PENDING.

		2		1		LOC AA	Q1512
REVISIONS							
P	F	ZONE	LTR	DESCRIPTION	DATE	APPROVED	
0				RLSD; NPI C86-1	3/6/86	[Signature]	

D  
C  
B  
A



BULK PACKED	.500	-6
	.450	-5
	.400	-4
	.350	-3
	.300	-2
	.250	554725-1

		PACKAGED	INSIDE DIA	PART NO
UNLESS OTHERWISE SPECIFIED DIMENSIONS ARE IN INCHES. TOLERANCES ON: DECIMALS ±.005 ANGLES ±.1	CONTRACT NO	AMP   AMP INCORPORATED Harrisburg, Pa.		
	DR	NAME FERRULE, INNER, SHIELDED CHAMP		
	CHK	SIZE B	FSCM NO 00779	DRAWING NO 554725
	APPD	SCALE 4:1		
MATERIAL .017 THK COPPER ZINC ALLOY	DESIGN APPD	SHEET 1 OF 1		
FINISH	OTHER APPD			

AMP 1470-17

CUSTOMER DRAWING

# Mouser Electronics

Authorized Distributor

Click to View Pricing, Inventory, Delivery & Lifecycle Information:

[TE Connectivity:](#)

[554725-5](#)