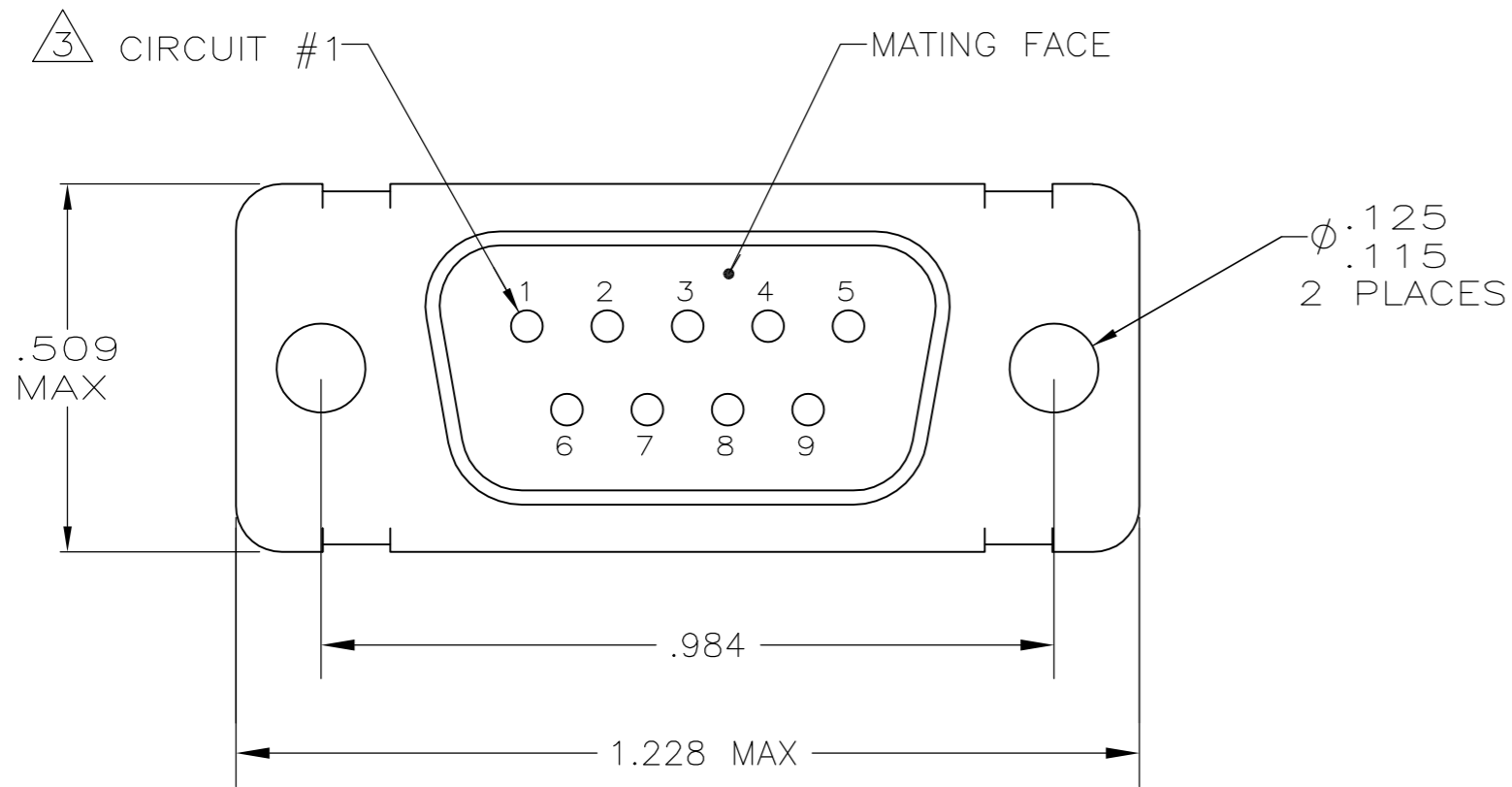
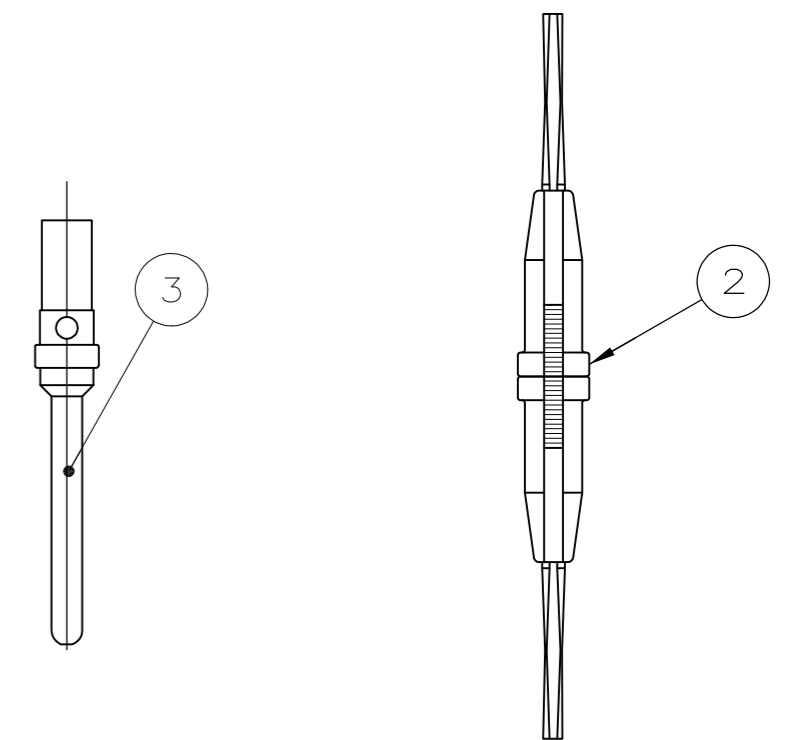
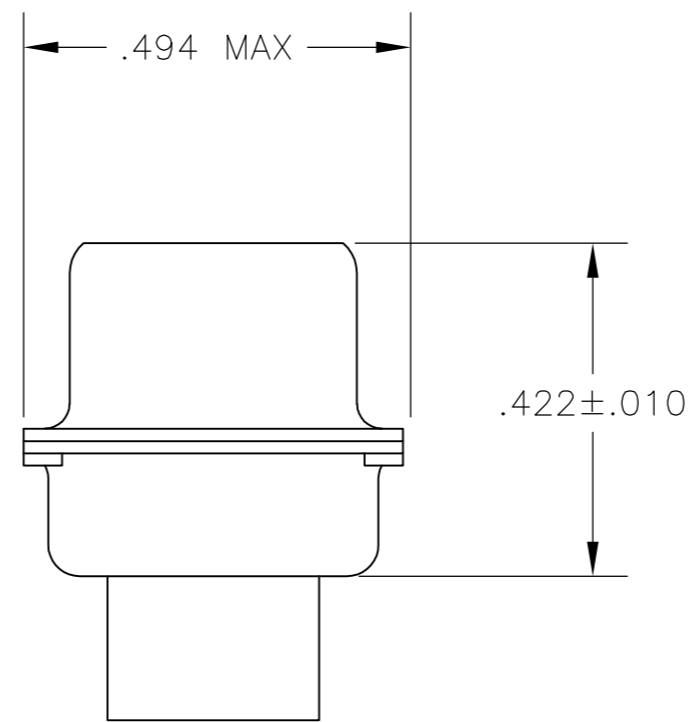
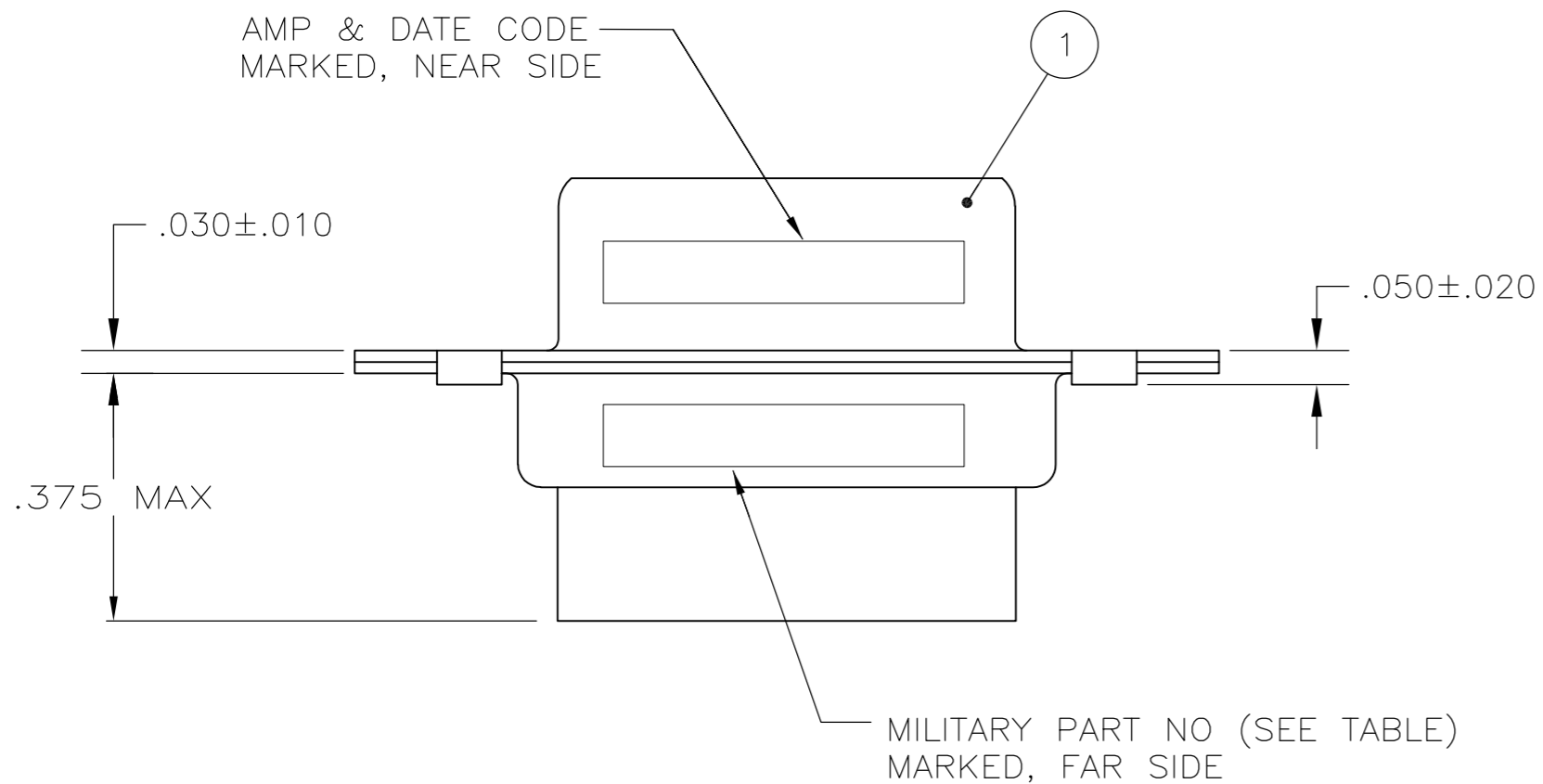


THIS DRAWING IS UNPUBLISHED. RELEASED FOR PUBLICATION
 © COPYRIGHT - By - ALL RIGHTS RESERVED.

LOC		DIST		REVISIONS			
P	LTR	DESCRIPTION	DATE	DWN	APVD		
-	-	H	REV PER ECO 13-012379	8-1-13	CT	CD	



1 FOR CONNECTOR ASSEMBLIES WITHOUT CONTACTS, TE CONNECTIVITY CONTACT PART NOS 205089-1 MUST BE ORDERED SEPARATELY. CONNECTORS WITH CONTACTS ARE SUPPLIED WITH CONTACT 205089-1



	OBSOLETE	205556-3	M24308/8-6F	205089-1	91067-2	205162-2	205556-5	
SUPERSEDED BY 207252-2 AND 205089-1		205556-3	M24308/8-1F	205089-1	-	205162-2	205556-4	
		205556-3	M24308/4-6F	205089-1	91067-2	205162-1	205556-3	
		205556-2	M24308/4-1F	205089-1	-	205162-1	205556-2	
SUPERSEDED BY 205162-1 AND 91067-2		205556-1	-	-	91067-2	205162-1	205556-1	
	P/N MARKED ON PACKAGE	MILITARY P/N MARKED ON PACKAGE	3 PIN CONTACT QTY. = 9	1	2 INSERTION/EXTRACTION TOOL QTY. = 1	1	1 PLUG ASSY QTY. = 1	PART NUMBER

THIS DRAWING IS A CONTROLLED DOCUMENT.

DWN	T.THOMPSON	05-24-94
CHK	H.WYNKOOP	06-17-94
APVD	H.WYNKOOP	06-17-94
PRODUCT SPEC		
APPLICATION SPEC		
WEIGHT	-	
CUSTOMER DRAWING		

TE TE Connectivity

AMPLIMITE, KIT,HDM-20, SERIES, PLUG, SIZE 1, 9 POSITION

SIZE	A2	CAGE CODE	00779	DRAWING NO	C=205556	RESTRICTED TO	-
SCALE	4:1	SHEET	1 of 1	REV	H		

Mouser Electronics

Authorized Distributor

Click to View Pricing, Inventory, Delivery & Lifecycle Information:

[TE Connectivity:](#)

[205556-3](#)