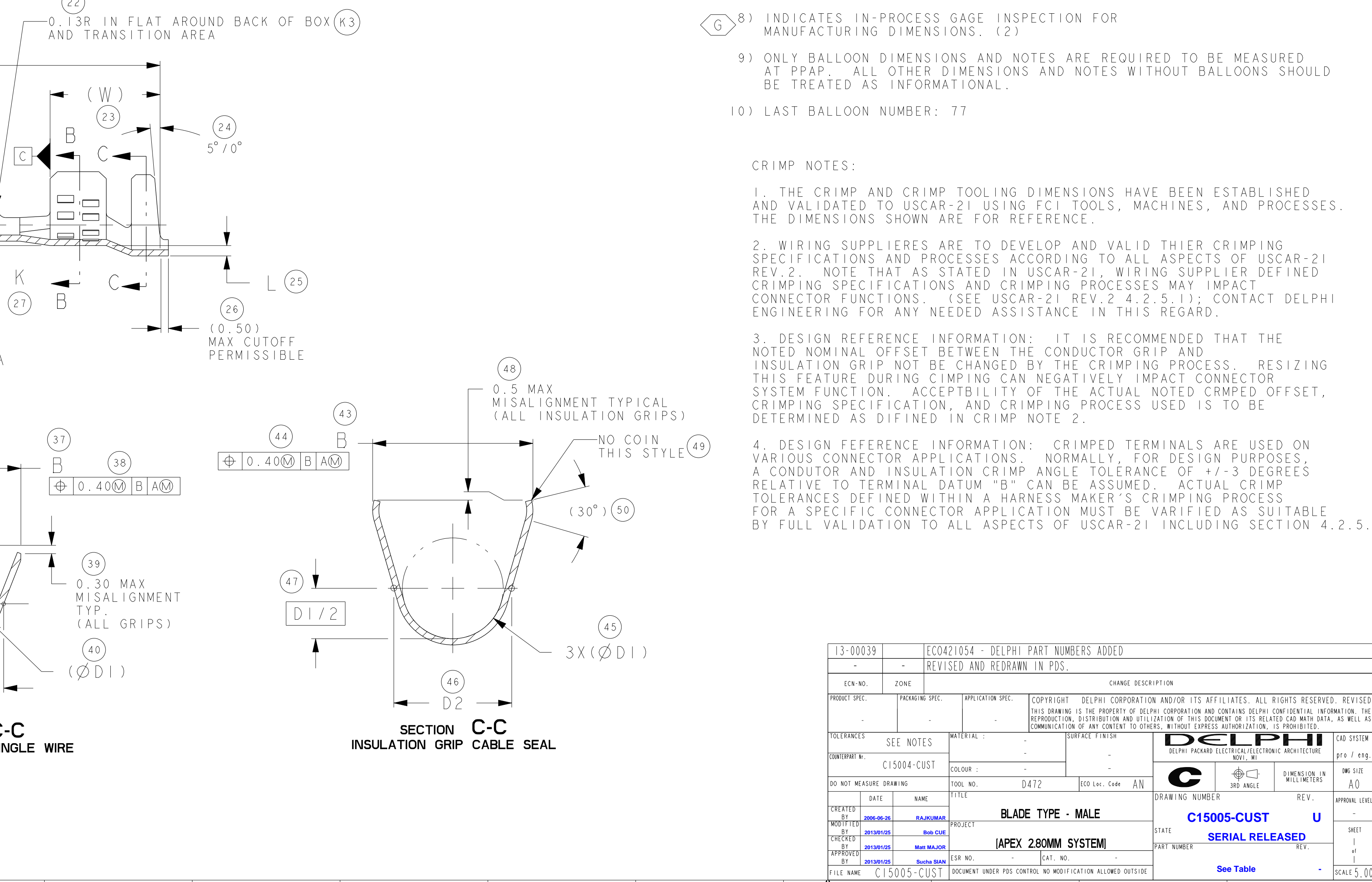
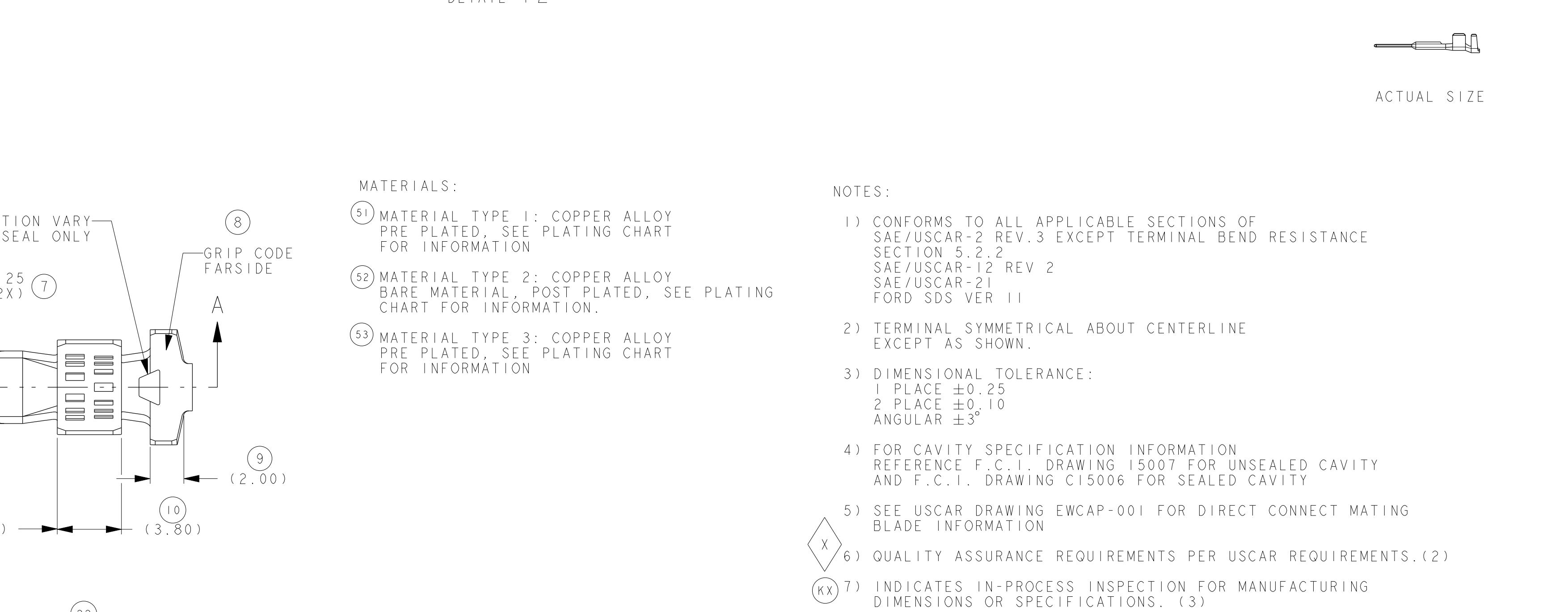
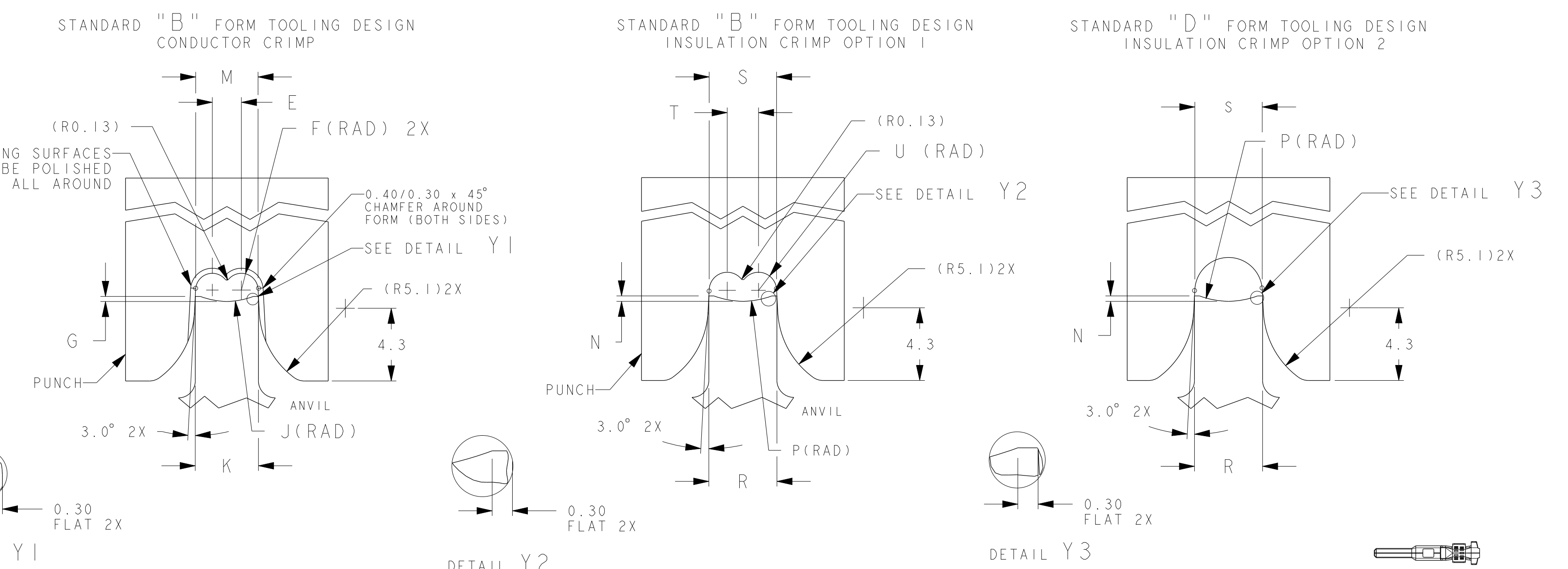
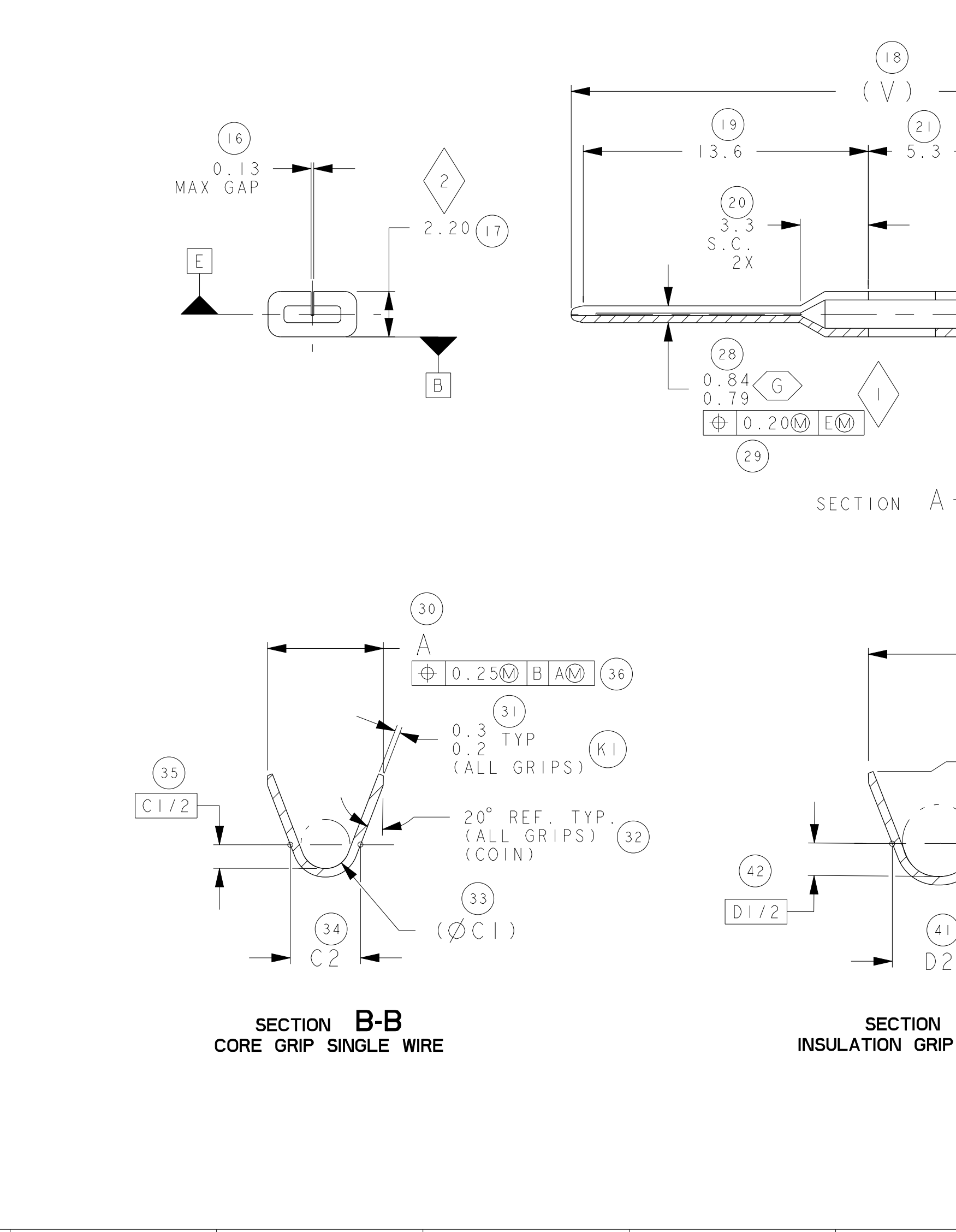
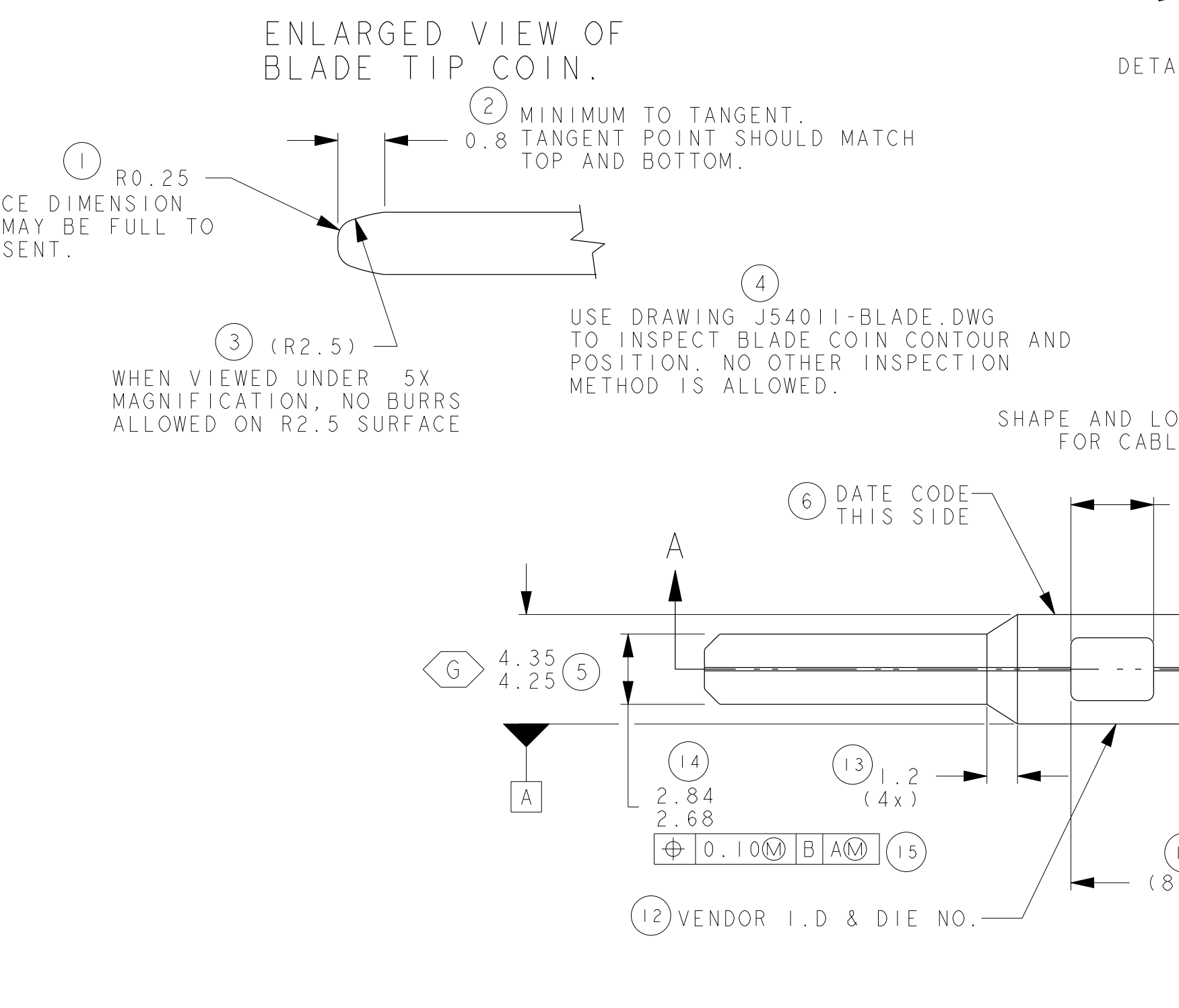
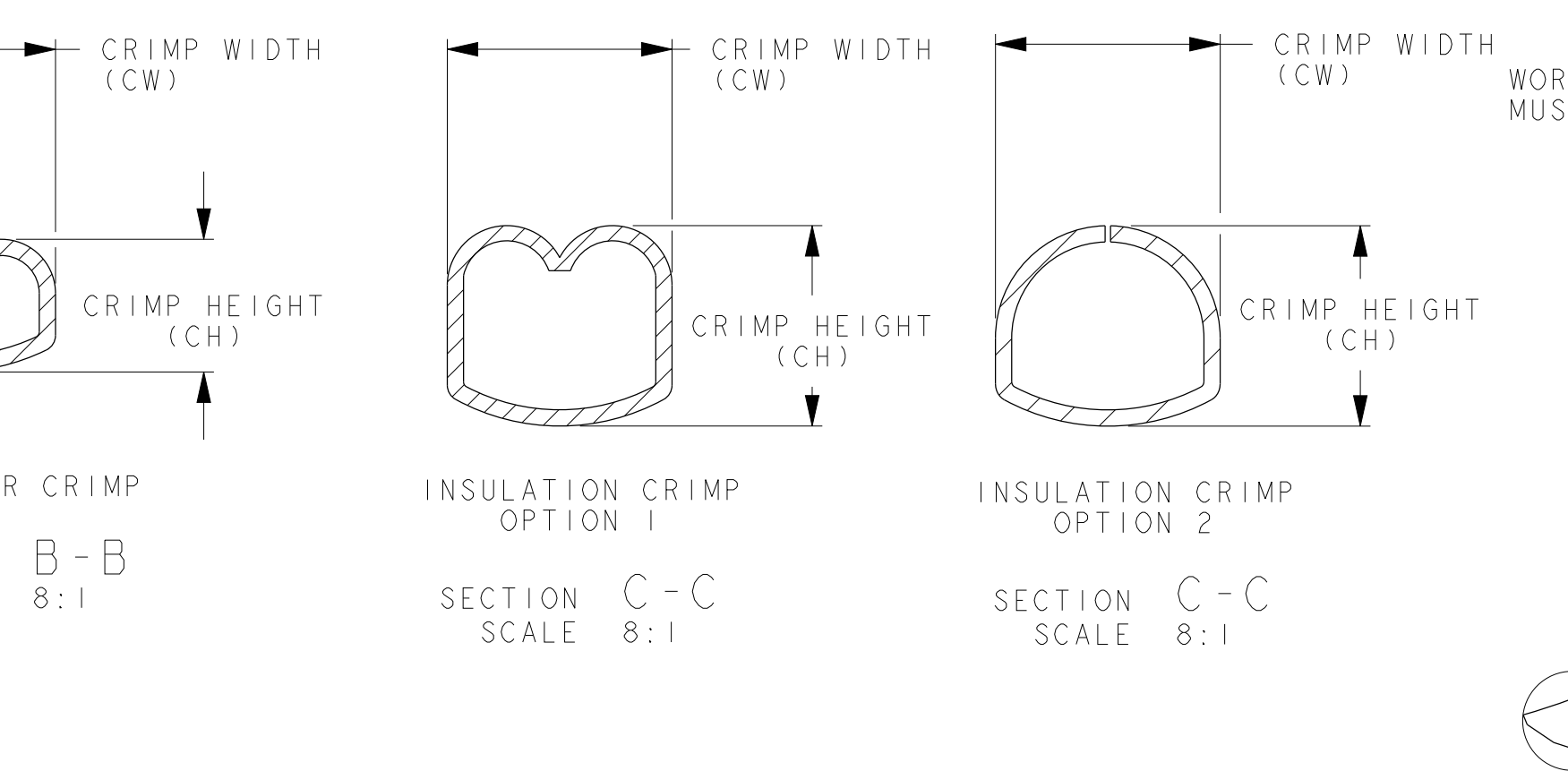
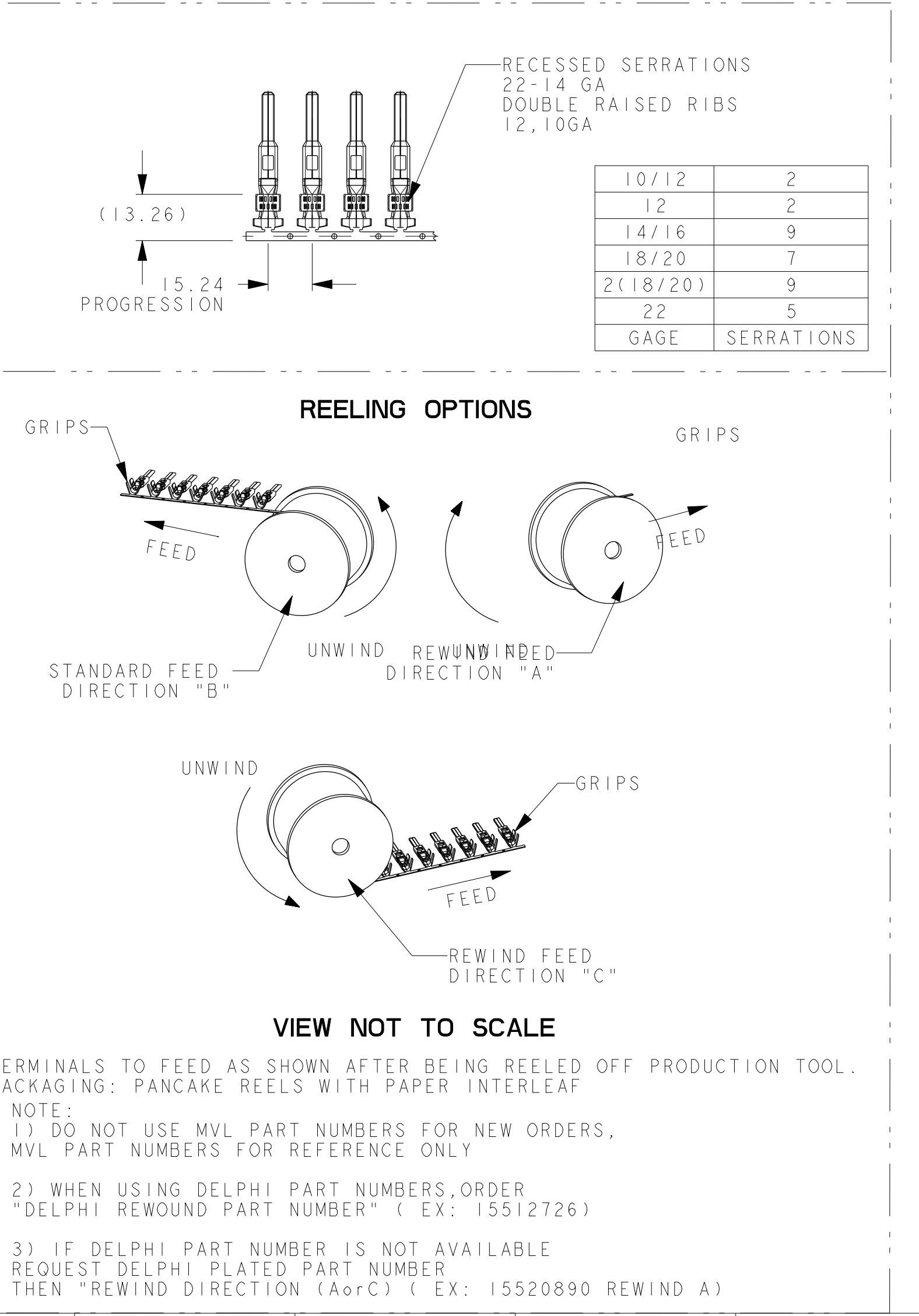
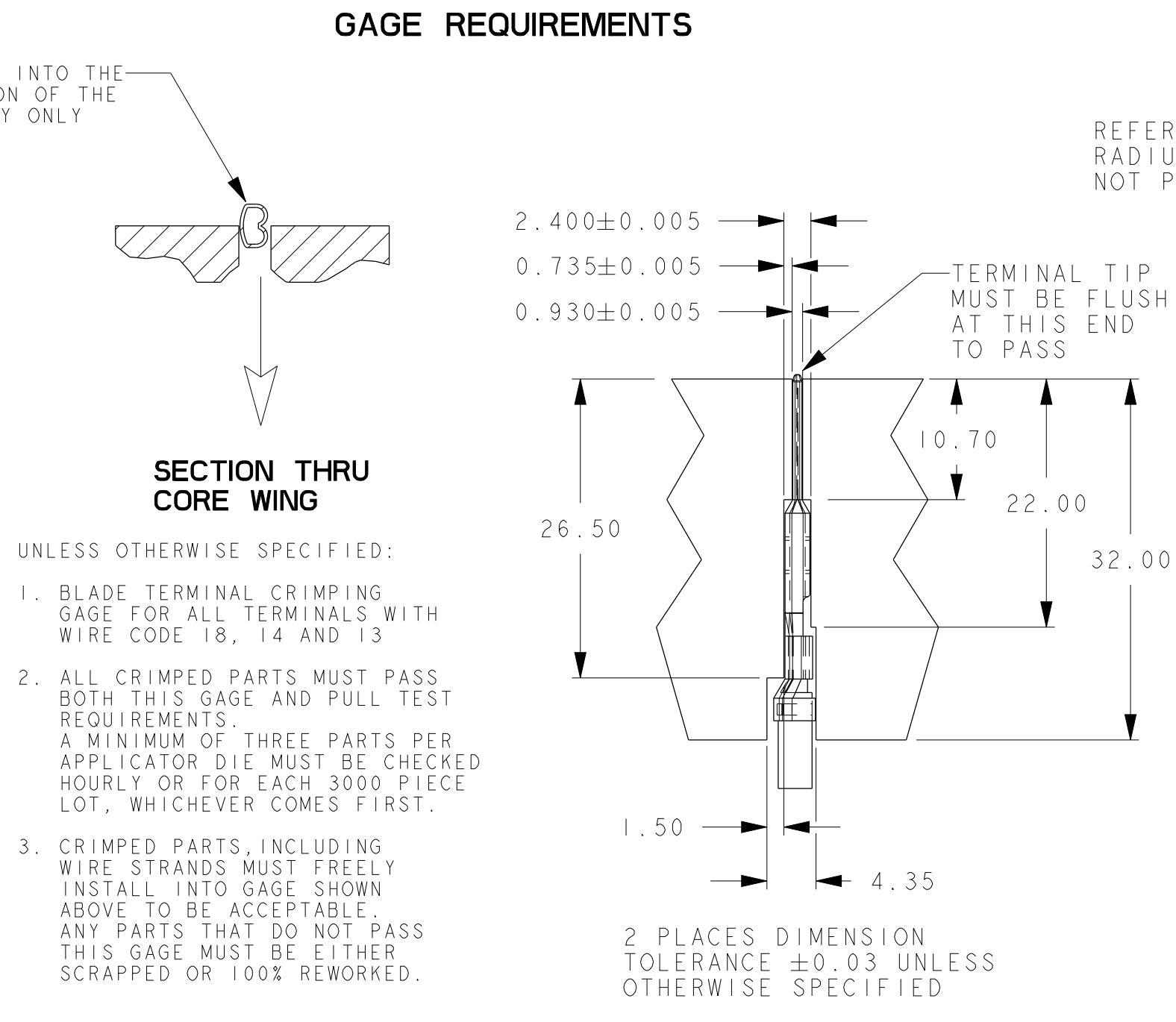
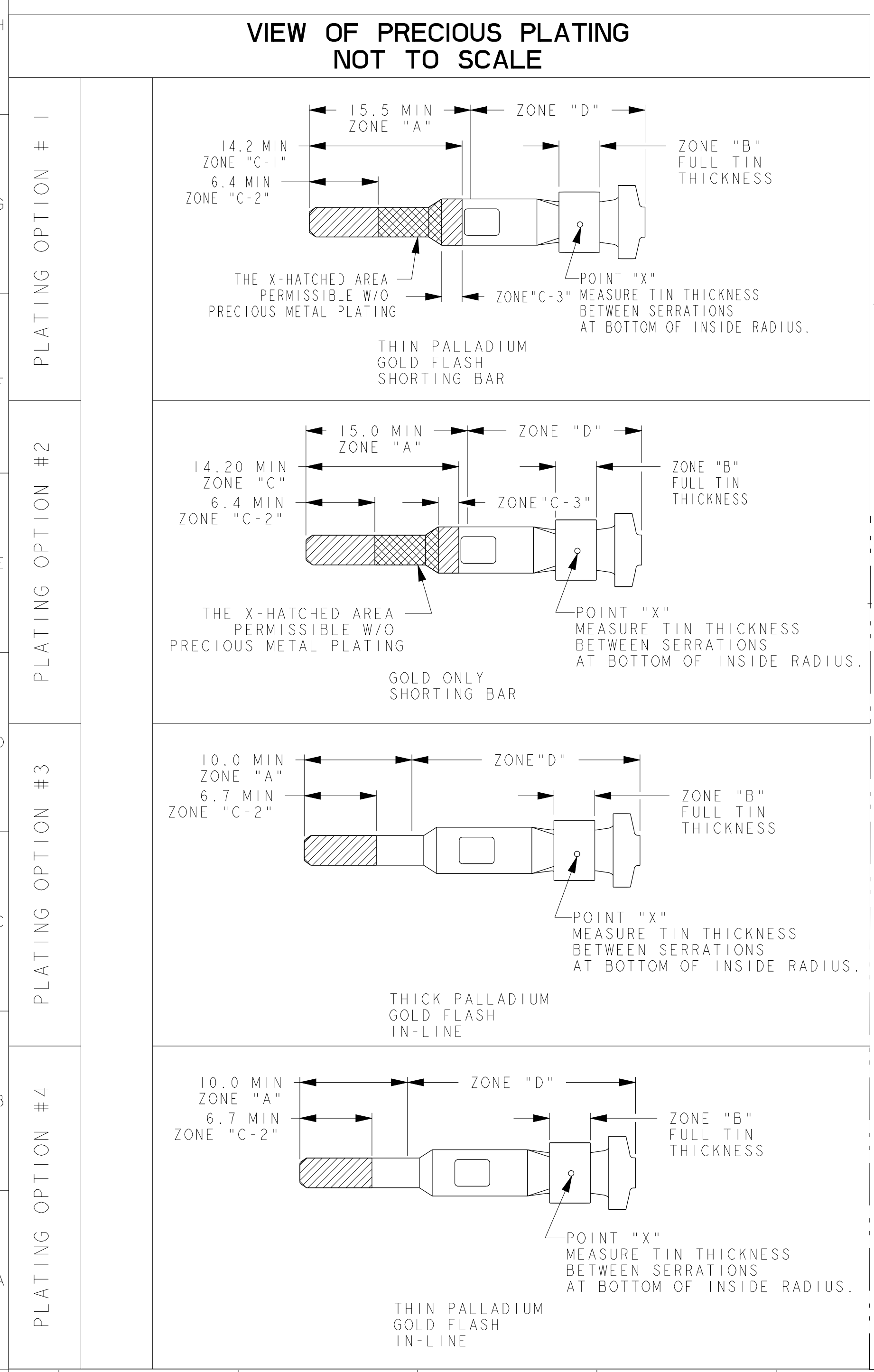


WIRE SIZE AWG	WIRE SIZE METRIC	INSULATION DIAMETER REF.	MVL UNSEALED PART NO.	MVL TYPE PLATE OPT.	DELPHI UNSEALED PART NO.	DELPHI UNPLATED PART NO.	DELPHI PART REV.	MVL SEALED PART NO.	MVL TYPE PLATE OPT.	DELPHI SEALED PART NO.	DELPHI UNPLATED PART NO.	DELPHI PART REV.	GAGE STAMP	A	B	Ø (C1)	Ø (D1)	D2	K	L	(V)	(W)	TYPE OF GRIP
10/12	4.076.0	4.3/3.0	54001020	2, 7	33400512	01	---	54001027	2, 7	33400513	01	---	10AG	5.6	7.6	2.30	3.4	5.00	6.0	1.10	31.2	8.0	SEALED
2.5	2.5/3.0	3.4/3.0	54001001	1, 5	10762774	03	---	54001001	1, 5	10762774	03	---	10AG	5.6	6.8	2.30	3.2	3.20	4.5	1.00	30.7	7.5	UNSEALED
14/16	1.0/1.5	2.8/2.1	54001441	2, 7	33400514	01	---	54001441	2, 7	33400514	01	---	10AG	4.3	6.4	4.20	5.6	4.20	5.6	1.40	31.2	8.0	SEALED
21(18/20)	2(1.0/0.5)	2(2.2/1.4)	54001401	1, 5	10757692	03	---	54001401	1, 5	10757692	03	---	10AG	4.3	5.1	2.25	3.5	2.00	2.50	0.60	30.7	7.5	UNSEALED
18/20	1.0/0.5	2.2/1.4	54001819	2, 7	33400516	01	---	54001819	2, 7	33400516	01	---	10AG	3.4	5.5	3.60	4.5	3.60	4.5	1.10	31.2	8.0	SEALED
22	0.35	1.8/1.2	54002201	1, 5	10762776	03	---	54002201	1, 5	10762776	03	---	10AG	3.1	3.6	1.00	2.2	1.40	2.7	0.60	30.7	7.5	UNSEALED

MATERIAL TYPE: PLATING OPT.	TYPE 2 #1	TYPE 2 #2	TYPE 2 #3	TYPE 2 #4	TYPE 1 OPTION #5	TYPE 3 OPTION #6	TYPE 2 OPTION #7
PLATING	POST GOLD FLASH PALLADIUM (SHORTING BAR)	POST GOLD (SHORTING BAR)	POST HEAVY PALLADIUM-GOLD FLASH (IN LINE)	POST PALLADIUM-GOLD (IN LINE)	PRE-HOT DIP TIN (IN LINE)	PRE TIN/SILVER (IN LINE)	POST SILVER (IN LINE)
ZONE "A"	SULFIMATE DUCTILE NICKEL	SULFIMATE DUCTILE NICKEL	SULFIMATE DUCTILE NICKEL	SULFIMATE DUCTILE NICKEL	HOT DIP TIN PLATE	TIN SILVER PLATE	ELECTRO DEPOSITED PURE SILVER, NICKEL UNDERPLATE NOT REQ.
ZONE "B"	ELECTRO MATT TIN PLATE	ELECTRO MATT TIN PLATE	ELECTRO MATT TIN PLATE	ELECTRO MATT TIN PLATE	HOT DIP TIN PLATE	TIN SILVER PLATE	ELECTRO MATT TIN PLATE
ZONE "C"	C-1, C-3: PLATE WITH HARD GOLD CAP OVER PURE PALLADIUM.	C-1, C-3: PLATE WITH HARD GOLD CAP	C2 ONLY: PLATE WITH HARD GOLD CAP OVER PURE PALLADIUM	C2 ONLY: PLATE WITH HARD GOLD CAP OVER PURE PALLADIUM	---	---	---
ZONE "D"	ELECTRO MATT TIN PLATE	ELECTRO MATT TIN PLATE	ELECTRO MATT TIN PLATE	ELECTRO MATT TIN PLATE	HOT DIP TIN PLATE	TIN SILVER PLATE	ELECTRO MATT TIN PLATE

54001001RWC	15512726	01	54001001	10762774
F008800RWA	15512734	01	F008800	15509074
54001441RWC	15522351	01	54001441	13681974
54001401RWA	15425613	02	54001401	10757692
54001401RWC	13969990	01	54001401	10757692
54001301RWA	13681974	01	54001301	10757693
54001819RWA	15512733	01	54001819	15425613
54001819RWC	15513652	01	54001819	15425613
54001818RWA	15516296	01	54001818	15435215
54001818RWC	13971791	01	54001818	15435215
54001804RWA	15512732	01	54001804	13805590
54001804RWC	15516297	01	54001804	13805590
54001801RWA	15516294	01	54001801	10762775
54001801RWC	13751022	01	54001801	10762775
54002230RWA	15512731	01	54002230	33501642
54002201RWA	15512725	01	54002201	10762776
54002201RWC	13969991	01	54002201	10762776



CRIMP TOOL INFORMATION (REF. ONLY)

FIG. NO.	ZONE	DESCRIPTION
13-0039	-	EC0421054 - DELPHI PART NUMBERS ADDED
-	-	REVISED AND REWOUND IN PPS.

REVISIONS: SEE NOTES

DATE: 0472

DESIGNER: [Signature]

DATE: 0472

REVISIONS:

NO.	DATE	BY	DESCRIPTION
1	0472	[Signature]	BLADE TYPE - MALE
2			APX 280MM SYSTEM

FILE NAME: C15005-CUST

DATE: 0472

REVISION: 1

BLADE TYPE - MALE

APX 280MM SYSTEM

SERIAL RELEASED

# Mouser Electronics

Authorized Distributor

Click to View Pricing, Inventory, Delivery & Lifecycle Information:

[Aptiv:](#)

[10757692](#) [10757692-L](#)