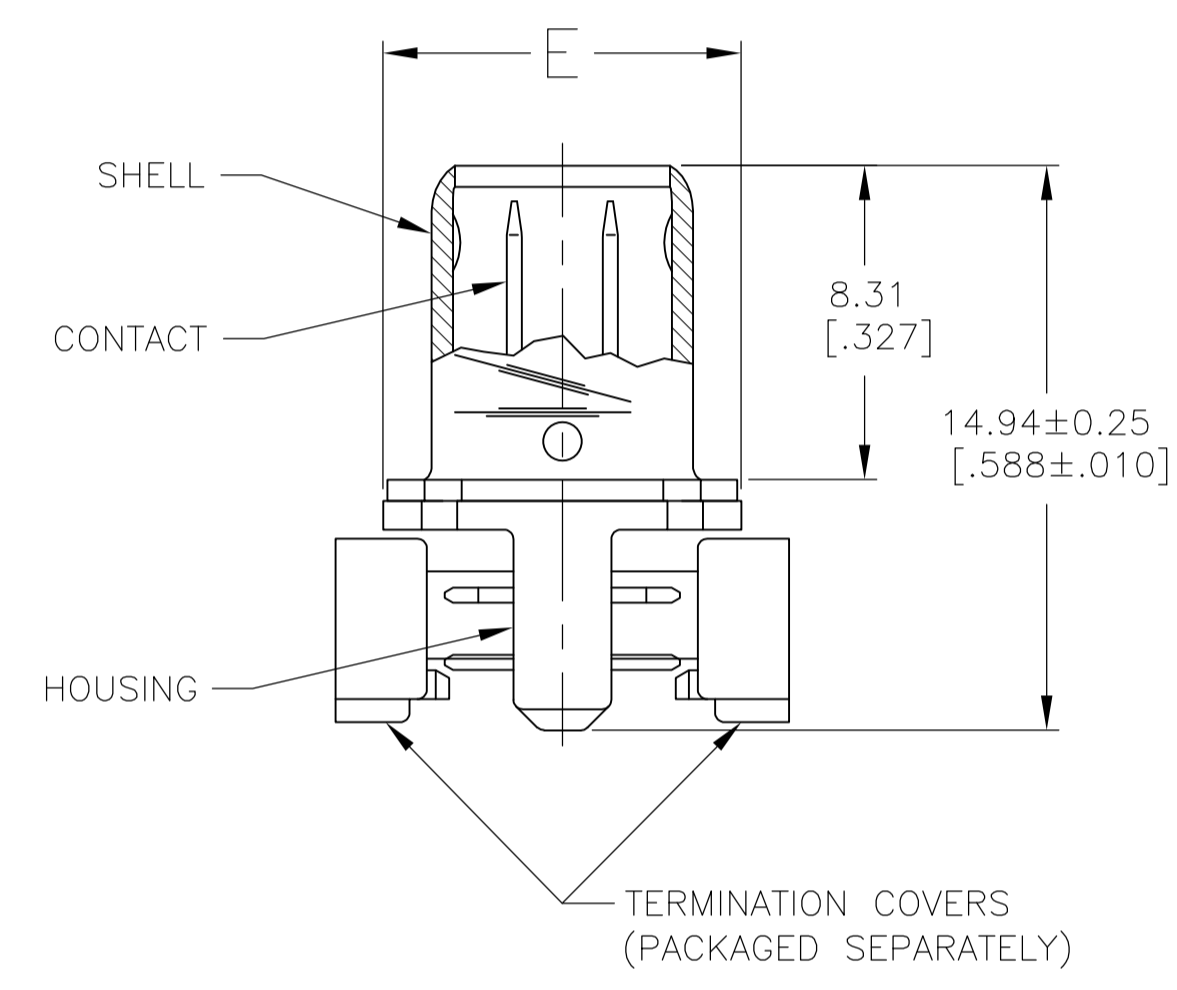


- 1 HOUSING AND TERMINATION COVERS: THERMOPLASTIC, UL94V-0 RATED, COLOR BLACK.
SHELL: STEEL.
PIN CONTACTS: PHOSPHOR BRONZE.
- 2 2.54µm [.000100] MIN TIN-NICKEL OVER 3.81µm [.000150] MIN NICKEL OVER 2.54µm [.000100] MIN COPPER.
- 3 5.08µm [.000200] MIN TIN OVER 1.27µm [.000050] MIN COPPER. LUBRICATED AFTER PLATING.
- 4 EITHER 0.76µm [.000030] MIN GOLD PLATE OR GOLD FLASH OVER PALLADIUM NICKEL PLATE, 0.76µm [.000030] MIN TOTAL IN LOCALIZED PLATE AREA, 3.00µm [.000118] MIN TIN IN TERMINATION AREA, ALL OVER 1.27µm [.000050] MIN NICKEL.
- 5 RECOMMENDED WIRE: 28 AWG OR 30 AWG, SOLID OR 7 STRAND, PVC INSULATION WITH A 0.74 - 0.91 [.029 - .036] INSULATION DIAMETER.



SUPERCEDED BY 5749621-9	9.47 [.373]	71.86 [2.829]	66.60 [2.622]	62.23 [2.450]	49	4	2	100	1-5749621-8
SUPERCEDED BY 5749621-5	7.44 [.293]	40.11 [1.579]	34.85 [1.372]	30.48 [1.200]	24	4	2	50	1-5749621-7
SUPERCEDED BY 5749621-7	7.44 [.293]	51.54 [2.029]	46.28 [1.822]	41.91 [1.650]	33	4	3	68	1-5749621-6
OBSOLETE	9.47 [.373]	84.54 [3.329]	79.31 [3.122]	74.93 [2.950]	59	4	2	120	1-5749621-0
	9.47 [.373]	71.86 [2.829]	66.60 [2.622]	62.23 [2.450]	49	4	2	100	5749621-9
	9.47 [.373]	59.16 [2.329]	53.90 [2.122]	49.53 [1.950]	39	4	2	80	5749621-8
	7.44 [.293]	51.54 [2.029]	46.28 [1.822]	41.91 [1.650]	33	4	2	68	5749621-7
	7.44 [.293]	40.11 [1.579]	34.85 [1.372]	30.48 [1.200]	24	4	2	50	5749621-5
	7.44 [.293]	33.76 [1.329]	28.50 [1.122]	24.13 [.950]	19	4	2	40	5749621-4
	7.44 [.293]	26.14 [1.029]	20.88 [.822]	16.51 [.650]	13	4	2	28	5749621-3
	7.44 [.293]	24.87 [.979]	19.61 [.772]	15.24 [.600]	12	4	2	26	5749621-2
	7.44 [.293]	21.06 [.829]	15.80 [.622]	11.43 [.450]	9	4	2	20	5749621-1
	E	D	C	B	A	CONTACT FINISH	SHELL FINISH	NO OF POS	PART NUMBER

**COPYRIGHT 2005
TE CONNECTIVITY CORP
ALL RIGHTS RESERVED**

THIS DRAWING IS A CONTROLLED DOCUMENT.		DIN J. GERACE 17FEB05	 TE Connectivity												
DIMENSIONS: INCHES		CHK S. SHUEY 17FEB05													
TOLERANCES UNLESS OTHERWISE SPECIFIED:		APP'D M. WALMSLEY 17FEB05	NAME KIT, PLUG ASSEMBLY, 1.27[.050] SERIES, AMPLIMITE												
<table border="1"> <tr><td>0. PLC</td><td>± .005</td></tr> <tr><td>1. PLC</td><td>± .005</td></tr> <tr><td>2. PLC</td><td>± .010</td></tr> <tr><td>3. PLC</td><td>± .015</td></tr> <tr><td>4. PLC</td><td>± .020</td></tr> <tr><td>ANGLES</td><td>± .005</td></tr> </table>		0. PLC	± .005	1. PLC	± .005	2. PLC	± .010	3. PLC	± .015	4. PLC	± .020	ANGLES	± .005	PRODUCT SPEC 108-1228	RESTRICTED TO
0. PLC	± .005														
1. PLC	± .005														
2. PLC	± .010														
3. PLC	± .015														
4. PLC	± .020														
ANGLES	± .005														
MATERIAL		APPLICATION SPEC 114-40029	SIZE A1												
SEE TABLE		WEIGHT -	SCALE 5:1												
CUSTOMER DRAWING		DRAWING NO 5749621	SHEET 1 OF 1												

Mouser Electronics

Authorized Distributor

Click to View Pricing, Inventory, Delivery & Lifecycle Information:

[TE Connectivity:](#)

[5749621-7](#)