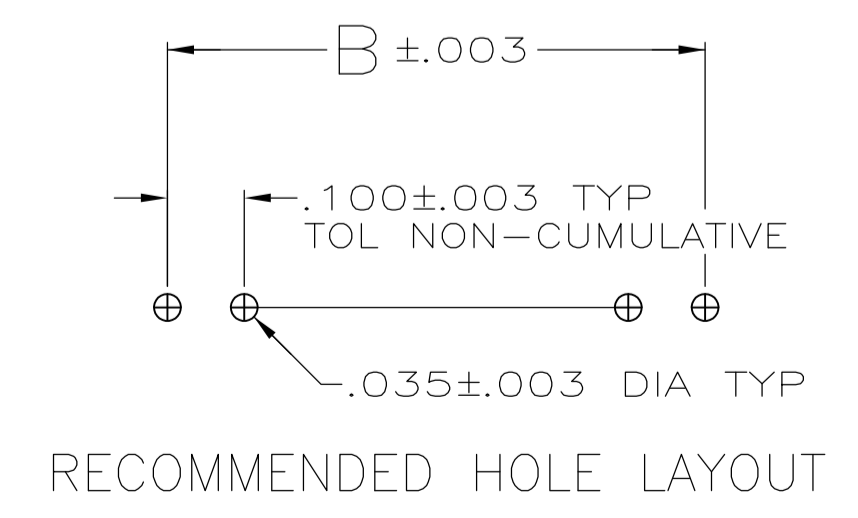


- TRUE POSITION TOLERANCE OF THE POST TIPS APPLIES WHEN THE HEADERS ARE HELD FLAT AGAINST THE PRINTED CIRCUIT BOARD
- ASSEMBLY MAY BE BROKEN TO THE DESIRED NUMBER OF POSITIONS
- PACKAGE IN SINGLE TUBES
- .000100-.000200 MATTE TIN-LEAD OVER .000050 NICKEL.
- .000100-.000200 BRIGHT TIN OVER .000050 NICKEL.
- PRELIMINARY PART - NOT RELEASED FOR PRODUCTION.
- HOUSING MATERIAL: FLAME RETARDANT THERMOPLASTIC; COLOR-BLACK.
- OBSOLETE PARTS: OBSOLETE CIS STREAMLINING PER D.RENAUD/D.SINISI



PLATING	REMARKS	C	B	A	NO OF POSN	PART NUMBER
	OBSOLETE	5			4	5-103321-3
		5	6		13	5-103321-2
		5	6		11	5-103321-1
		5	6		10	5-103321-0
		5	6		8	4-103321-9
		5			39	4-103321-8
		5			40	4-103321-7
		5			15	4-103321-6
		5			7	4-103321-5
		5			2	4-103321-4
		5			3	4-103321-3
		5	6		1	4-103321-2
	SUPERSEDED BY 1-103321-4	3	3		13	4-103321-1
	SUPERSEDED BY 103321-3	3	3		2	4-103321-0
		4			39	4-103321-0
		4			38	3-103321-9
		4			37	3-103321-8
		4			36	3-103321-7
		4			35	3-103321-6
		4			34	3-103321-5
		4			33	3-103321-4
		4			32	3-103321-3
		4			31	3-103321-2
		4			30	3-103321-1
		4			29	3-103321-0
		4			28	2-103321-9
		4			27	2-103321-8
		4			26	2-103321-7
		4			25	2-103321-6
		4			24	2-103321-5
		4			23	2-103321-4
		4			22	2-103321-3
		4			21	2-103321-2
		4			20	2-103321-1
	SUPERSEDED BY 7-146274-0	4			19	2-103321-0
		4			18	1-103321-9
		4			17	1-103321-8
		4			16	1-103321-7
		4			15	1-103321-6
		4			14	1-103321-5
		4			13	1-103321-4
		4			12	1-103321-3
		4			11	1-103321-2
		4			10	1-103321-1
		4			9	1-103321-0
		4			8	103321-9
		4			7	103321-8
		4			6	103321-7
		4			5	103321-6
		4			4	103321-5
		4			3	103321-4
		4			2	103321-3
		4			1	103321-2
		4			1	103321-1

THIS DRAWING IS A CONTROLLED DOCUMENT.

DIMENSIONS: INCHES. TOLERANCES UNLESS OTHERWISE SPECIFIED:

0. PLC	± .005
1. PLC	± .005
2. PLC	± .005
3. PLC	± .005
4. PLC	± .005
ANGLES	± .005

MATERIAL: POST: COPPER ALLOY. FINISH: SEE TABLE.

APPROVED: J. MARTINELLI, JOHN KNITTLE, B. FLINCHBAUGH.

DATE: 15OCT92, 23NOV92, 23NOV92.

NAME: ASSEMBLY, HEADER, BREAKAWAY, MOD II, SINGLE ROW, .100 C/L, VERTICAL, WITH .025 SQUARE POSTS.

SIZE: A1. CAGE CODE: 00779. DRAWING NO: 103321.

WEIGHT: -. RESTRICTED TO: -. CUSTOMER DRAWING.

SCALE: 4:1. SHEET: 1 OF 1. REV: R.